

ROTAX®

ROTAX

ROTAX

ILLUSTRATED PARTS CATALOG

FOR ROTAX® ENGINE TYPE 912 AND 914 SERIES

REF. NO.: ETK/IPC-912/914 | PART NO.: 899473



WARNING

These technical data and the information embodied therein are the property of BRP-Rotax GmbH & CO KG, Austria, acc, BGBl 1984 no. 448, and shall not, without prior written permission of BRP-Rotax GmbH & Co KG, be disclosed in whole or in part to third parties. This legend shall be included on any reproduction of these data, in whole or in part. The Manual must remain with the engine/aircraft in case of sale.

ROTAX[®] is a trade mark of BRP-Rotax GmbH & Co KG. In the following document the short form of BRP-Rotax GmbH & Co KG = BRP-Rotax is used.

Other product names in this documentation are used purely for ease of identification and may be trademarks of the respective company or owner.

Copyright 2021 © - all rights reserved.

Translation into other languages might be performed in the course of language localization but does not lie within ROTAX[®] scope of responsibility.

In any case the original text in English language and the metric units are authoritative.

BRP-Rotax
ILLUSTRATED PARTS CATALOG

Chapter) TOC
TABLE OF CONTENT

Table of content	TOC
List of effective pages	LEP
Table of amendments	TOA
<hr/>	
00-00-00	
General note	Page 1
Explanation	Page 2
Parts order	Page 3
Engine view and denomination of the cylinders.....	Page 4
Repeating symbols	Page 5
Structure	Page 5
Repair tools.....	Page 8
Lubricant tools	Page 19
Documentation, Gasket Set, Engine block	Page 22
<hr/>	
24-20-00	
Magneto-Generator, Trigger coils, Rectifier Regulator	Page 3
<hr/>	
24-30-00	
External Alternator (all parts optional)	Page 3
<hr/>	
37-10-00	
Vacuum pump with drive (all parts optional).....	Page 3
<hr/>	
61-20-00	
Hydr-governor arrangement for constant speed propeller (optional).....	Page 3
<hr/>	

d06400.fm

BRP-Rotax

ILLUSTRATED PARTS CATALOG

71-20-00

Engine suspension frame..... Page 3

72-10-00

Propeller gear assy with overload clutch..... Page 4

Overload clutch Page 11

72-20-00

Crankcase..... Page 3

Crankshaft, Piston, Cylinder, Sprag clutch..... Page 15

Cylinder head, Valve train, Valve cover Page 19

73-00-00

Carburetor..... Page 2

Carburetor-Individual parts 912 Series Page 7

Carburetor-Individual parts 914 Series Page 13

73-10-00

Intake manifold, Compensating tube assy. Page 3

Fuel pump assy., Fuel hose assy., Airbox assy.. Page 8

Airbox assy., 3 Way Solenoid valve assy., Fuel pressure
regulator assy..... Page 13

Instruments, Air filter Page 19

74-20-00

Double ignition coil assy., SMD- electronic module Page 5

BRP-Rotax

ILLUSTRATED PARTS CATALOG

75-20-00

Water pump with drive, Ignition housing Page 3

Expansion tank with hoses and connections Page 7

Cooling air baffle, Overflow bottle with cap, Radiator Page 11

76-10-00

Turbocharger control unit..... Page 3

76-20-00

FLYDAT sensor set (all parts optional)..... Page 2

78-10-00

Exhaust system Page 3

Muffler, Turbocharger, Oil sump container Page 9

79-20-00

Oil tank..... Page 3

Oil pump assy., Oil filter, Oil temperature sensor,
Oil pressure sensor..... Page 7

Magnetic drain plug, Plug screw..... Page 12

Oil radiator Page 14

80-10-00

Electric starter, Starter relay Page 3

Electric starter single parts Page 9

d06400.fm

BRP-Rotax
ILLUSTRATED PARTS CATALOG

INTENTIONALLY LEFT BLANK

d06400.fm

BRP-Rotax

ILLUSTRATED PARTS CATALOG

Chapter) LEP

LIST OF EFFECTIVE PAGES

Each new revision to the Illustrated Parts Catalog will have a new List of Effective Pages.

Chapter	Page	Date
	Title page	
TOC	TOC - 1	August 01 2021
	TOC - 2	August 01 2021
	TOC - 3	August 01 2021
	TOC - 4	August 01 2021
LEP	LEP - 1	August 01 2021
	LEP - 2	August 01 2021
	LEP - 3	August 01 2021
	LEP - 4	August 01 2021
TOA	TOA - 1	August 01 2021
	TOA - 2	August 01 2021
	TOA - 3	August 01 2021
	TOA - 4	August 01 2021
00-00-00	1	August 01 2021
	2	August 01 2021
	3	August 01 2021
	4	August 01 2021
	5	August 01 2021
	6	August 01 2021
	7	August 01 2021
	8	August 01 2021
	9	August 01 2021
	10	August 01 2021
	11	August 01 2021
	12	August 01 2021
	13	August 01 2021
	14	August 01 2021
	15	August 01 2021
	16	August 01 2021
	17	August 01 2021
	18	August 01 2021
	19	August 01 2021
	20	August 01 2021
	21	August 01 2021
	22	August 01 2021
	23	August 01 2021
	24	August 01 2021
24-20-00	1	August 01 2021
	2	August 01 2021
	3	August 01 2021
	4	August 01 2021
	5	August 01 2021
	6	August 01 2021

Chapter	Page	Date
24-30-00	1	August 01 2021
	2	August 01 2021
	3	August 01 2021
	4	August 01 2021
37-10-00	1	August 01 2021
	2	August 01 2021
	3	August 01 2021
	4	August 01 2021
61-20-00	1	August 01 2021
	2	August 01 2021
	3	August 01 2021
	4	August 01 2021
71-20-00	1	August 01 2021
	2	August 01 2021
	3	August 01 2021
	4	August 01 2021
72-10-00	1	August 01 2021
	2	August 01 2021
	3	August 01 2021
	4	August 01 2021
	5	August 01 2021
	6	August 01 2021
	7	August 01 2021
	8	August 01 2021
	9	August 01 2021
	10	August 01 2021
	11	August 01 2021
	12	August 01 2021
72-20-00	1	August 01 2021
	2	August 01 2021
	3	August 01 2021
	4	August 01 2021
	5	August 01 2021
	6	August 01 2021
	7	August 01 2021
	8	August 01 2021
	9	August 01 2021
	10	August 01 2021

d06779.fm

BRP-Rotax

ILLUSTRATED PARTS CATALOG

Chapter	Page	Date
73-00-00	1	August 01 2021
	2	August 01 2021
	3	August 01 2021
	4	August 01 2021
	5	August 01 2021
	6	August 01 2021
	7	August 01 2021
	8	August 01 2021
	9	August 01 2021
	10	August 01 2021
	11	August 01 2021
	12	August 01 2021
	13	August 01 2021
	14	August 01 2021
	15	August 01 2021
	16	August 01 2021
	17	August 01 2021
	18	August 01 2021
73-10-00	1	August 01 2021
	2	August 01 2021
	3	August 01 2021
	4	August 01 2021
	5	August 01 2021
	6	August 01 2021
	7	August 01 2021
	8	August 01 2021
	9	August 01 2021
	10	August 01 2021
	11	August 01 2021
	12	August 01 2021
	13	August 01 2021
	14	August 01 2021
	15	August 01 2021
	16	August 01 2021
	17	August 01 2021
	18	August 01 2021
74-20-00	1	August 01 2021
	2	August 01 2021
	3	August 01 2021
	4	August 01 2021
	5	August 01 2021
	6	August 01 2021

Chapter	Page	Date
75-20-00	1	August 01 2021
	2	August 01 2021
	3	August 01 2021
	4	August 01 2021
	5	August 01 2021
	6	August 01 2021
	7	August 01 2021
	8	August 01 2021
	9	August 01 2021
	10	August 01 2021
76-10-00	1	August 01 2021
	2	August 01 2021
	3	August 01 2021
	4	August 01 2021
76-20-00	1	August 01 2021
	2	August 01 2021
78-10-00	1	August 01 2021
	2	August 01 2021
	3	August 01 2021
	4	August 01 2021
	5	August 01 2021
	6	August 01 2021
	7	August 01 2021
	8	August 01 2021
	9	August 01 2021
	10	August 01 2021
	11	August 01 2021
	12	August 01 2021
79-20-00	1	August 01 2021
	2	August 01 2021
	3	August 01 2021
	4	August 01 2021
	5	August 01 2021
	6	August 01 2021
	7	August 01 2021
	8	August 01 2021
	9	August 01 2021
	10	August 01 2021
	11	August 01 2021
	12	August 01 2021
	13	August 01 2021
	14	August 01 2021
	15	August 01 2021
	16	August 01 2021

d06779.fm

BRP-Rotax

ILLUSTRATED PARTS CATALOG

Chapter	Page	Date
80-10-00	1	August 01 2021
	2	August 01 2021
	3	August 01 2021
	4	August 01 2021
	5	August 01 2021
	6	August 01 2021
	7	August 01 2021
	8	August 01 2021
	9	August 01 2021
	10	August 01 2021

d06779.fm

BRP-Rotax
ILLUSTRATED PARTS CATALOG

INTENTIONALLY LEFT BLANK

d06779.fm

BRP-Rotax

ILLUSTRATED PARTS CATALOG

Chapter) TOA

TABLE OF AMENDMENTS

Approval*

The technical content of this document is approved under the authority of the DOA ref. EASA.21J.048.

current no.	chapter	page	date of change	remark of approval	date of approval from authorities	date of issue	signature
0	TOC	alle/all	January 01 2017	DOA*			
0	00-00-00	alle/all	January 01 2017	DOA*			
0	LEP	alle/all	January 01 2017	DOA*			
0	TOA	alle/all	January 01 2017	DOA*			
0	24-20-00	alle/all	January 01 2017	DOA*			
0	24-30-00	alle/all	January 01 2017	DOA*			
0	37-10-00	alle/all	January 01 2017	DOA*			
0	61-20-00	alle/all	January 01 2017	DOA*			
0	71-20-00	alle/all	January 01 2017	DOA*			
0	72-10-00	alle/all	January 01 2017	DOA*			
0	72-20-00	alle/all	January 01 2017	DOA*			
0	73-00-00	alle/all	January 01 2017	DOA*			
0	73-10-00	alle/all	January 01 2017	DOA*			
0	74-20-00	alle/all	January 01 2017	DOA*			
0	75-20-00	alle/all	January 01 2017	DOA*			
0	76-10-00	alle/all	January 01 2017	DOA*			
0	76-20-00	alle/all	January 01 2017	DOA*			
0	78-10-00	alle/all	January 01 2017	DOA*			
0	79-20-00	alle/all	January 01 2017	DOA*			
0	80-10-00	alle/all	January 01 2017	DOA*			
1	LEP	1,2,3	March 01 2017	DOA*			
1	TOA	1,2	March 01 2017	DOA*			
1	24-20-00	4	March 01 2017	DOA*			
1	72-10-00	7,8	March 01 2017	DOA*			
1	72-20-00	13	March 01 2017	DOA*			
1	79-20-00	8	March 01 2017	DOA*			
2	LEP	1,2,3	March 01 2018	DOA*			
2	TOA	1-4	March 01 2018	DOA*			
2	00-00-00	8,14,22,23	March 01 2018	DOA*			
2	24-20-00	3,4,5	March 01 2018	DOA*			
2	24-30-00	3,4	March 01 2018	DOA*			
2	37-10-00	3	March 01 2018	DOA*			
2	61-20-00	3,4	March 01 2018	DOA*			
2	71-20-00	3	March 01 2018	DOA*			
2	72-10-00	4-9	March 01 2018	DOA*			

d06780.fm

BRP-Rotax

ILLUSTRATED PARTS CATALOG

current no.	chapter	page	date of change	remark of approval	date of approval from authorities	date of issue	signature
2	72-20-00	3,4,7,8,9,11,	March 01 2018	DOA*			
2		12,15,16,19,	March 01 2018	DOA*			
2		20,21	March 01 2018	DOA*			
2	73-00-00	7-10,13,	March 01 2018	DOA*			
2		15,16	March 01 2018	DOA*			
2	73-10-00	3,4,8,13-16,	March 01 2018	DOA*			
2		19	March 01 2018	DOA*			
2	74-20-00	5-8	March 01 2018	DOA*			
2	75-20-00	3,4,8,10-12	March 01 2018	DOA*			
2	76-10-00	3	March 01 2018	DOA*			
2	78-10-00	3,4,9,10,11	March 01 2018	DOA*			
2	79-20-00	9,14	March 01 2018	DOA*			
2	80-10-00	2,3	March 01 2018	DOA*			
3	LEP	1	June 01 2018	DOA*			
3	TOA	1,2,3	June 01 2018	DOA*			
3	72-10-00	2,4-9,11	June 01 2018	DOA*			
3	72-20-00	19,20,21	June 01 2018	DOA*			
3	74-20-00	6	June 01 2018	DOA*			
3	79-20-00	9, 10	June 01 2018	DOA*			
4	LEP	1, 2	August 01 2021	DOA*			
4	TOA	2,3	August 01 2021	DOA*			
4	00-00-00	7,13,14,17,	August 01 2021	DOA*			
		21-24	August 01 2021	DOA*			
4	24-20-00	3,5	August 01 2021	DOA*			
4	24-30-00	3	August 01 2021	DOA*			
4	37-10-00	3	August 01 2021	DOA*			
4	61-20-00	3,4	August 01 2021	DOA*			
4	71-20-00	3	August 01 2021	DOA*			
4	72-10-00	5-8,11	August 01 2021	DOA*			
4	72-20-00	3,5-16	August 01 2021	DOA*			
4	73-00-00	2,7-17	August 01 2021	DOA*			
4	73-10-00	3,4,7-18	August 01 2021	DOA*			
4	74-20-00	3-6	August 01 2021	DOA*			
4	75-20-00	3,4,6,7,9,10	August 01 2021	DOA*			
4	76-10-00	3	August 01 2021	DOA*			
4	76-20-00	2	August 01 2021	DOA*			
4	78-10-00	3,4,6-12	August 01 2021	DOA*			
4	79-20-00	3-10,14,15	August 01 2021	DOA*			
4	80-10-00	2-4,9	August 01 2021	DOA*			

d06780.fm

BRP-Rotax

ILLUSTRATED PARTS CATALOG

Chapter) TOA

Content

Summary of the relevant amendments in this context, but makes no claim to completeness.

current no.	chapter	page	date of change	comments
0	all	all	January 01/2017	New layout: documentation main language = English, upgrade of part numbers / part description and figures
1	24-20-00	4	March 01/2017	Correction of description
1	72-10-00	7	March 01/2017	Correction of part number
1	72-20-00	13	March 01/2017	Correction of legend
1	79-20-00	8	March 01/2017	Correction of illustration
2	00-00-00 to 80-10-00	see affected pages LEP	March 01/2018	Correction of illustration Correction of part number
3	72-10-00	2,4-9,11	June 01/2018	New Gearbox with oil spray nozzle assy.
3	72-20-00	19,20,21	June 01/2018	Correction of parts per engine
3	74-20-00	6	June 01/2018	Correction of parts per engine
3	79-20-00	9,10	June 01/2018	Correction of part number
4	00-00-00 to 80-10-00	see affected pages LEP	August 01 2021	Introduction of a new fuel pump Correction of illustration Correction of part number

d06780.fm

BRP-Rotax
ILLUSTRATED PARTS CATALOG

INTENTIONALLY LEFT BLANK

d06780.fm

BRP-Rotax

ILLUSTRATED PARTS CATALOG

Chapter) 00-00-00

GENERAL NOTE

Modification

The information and components-/system descriptions contained in this Illustrated Parts Catalog are correct at the time of publication.

BRP-Rotax, however, maintains a policy of continuous improvement of its products without imposing upon itself any obligation to install them on its products previously manufactured.

BRP-Rotax reserves the right at any time to discontinue or change specification, designs, features, models or equipment without incurring obligation.

Note

This Illustrated Parts Catalog is not an offer to sell parts, but a catalog illustrating the parts available at ROTAX authorized distributors.

BRP-Rotax reserves the right to deliver the components (crankshaft, crankcase, special tools etc.) only to organisations with respective qualifications.

Color variations

Color variations on unpainted castings:

On unpainted surfaces (i.e. aluminum cases) minor color variations (i.e. grey tone on aluminum surface) are possible due to the manufacturing process. Such possible color variations do not affect the quality of the product and are no reason for rejection - even a color variation on castings in differing areas is acceptable.

Tightening torque

Generally all the fasteners on a ROTAX® engine are tightened with a torque wrench. The tightening torque must always be done according to the content of the latest Maintenance Manual Heavy for the respective engine type.

Revisions

This Illustrated Parts Catalog will be revised once a year or as required.

NOTES: Date of issue or number of revision is printed on cover and bottom end of page.

BRP-Rotax

ILLUSTRATED PARTS CATALOG

1) Introduction

1.1) Explanation

As obvious from the cover, this Illustrated Parts Catalog covers the current ROTAX aircraft engine type 912 and 914 Series. Certified and non-certified versions are available.

Besides the engine-specific parts, the most popular accessories are also listed.

Certification

The **ROTAX** engine type **912 A** has been certified in accordance with JAR 22 Appendix H, Amdt. 1 dated 18 May 1981.

The **ROTAX** engine type **912 F and 912 S** have been certified in accordance with FAR Part 33 Amdt. 15.

The **ROTAX** engine type **914 F** has been certified in accordance with FAR Part 33 Amdt. 15 and JAR E Change 9 dated 21 October 1994.

The following **ROTAX** engines are non-certified:

ROTAX 912 UL, ROTAX 912 ULS, ROTAX 912 ULS FR, ROTAX 914 UL

BRP-Rotax

ILLUSTRATED PARTS CATALOG

1.2) Parts order

At a parts order for a certified engine, state details of application e.g. 912 S certified to EASA CS-E. For these parts an Authorized Release Certificate (FORM ONE TAG, see sample below) will be issued. For parts volume see enclosed packing slip.

1. Approving Competent Authority/Country Austro Control GmbH		2. AUTHORISED RELEASE CERTIFICATE EASA FORM 1			3. Form Tracking Number	
4. Approved Organisation Name and Address:				5. Work Order/Contract/Invoice Delivery Note Date		
ROTAX BRP-Powertrain GmbH & Co KG A-4623 Günskirchen, Austria Welsersstraße 32						
6. Item	7. Description	8. Part No.	9. Qty.	10. Serial-No.	11. Status/Work	
12. Remarks						
<p><i>Next overhaul after</i> <i>h or</i> <i>years of first operation</i></p> <p><i>Service Bulletin optional:</i> <i>Service Bulletin effect:</i></p> <p><i>Service Bulletin not applicable:</i></p>						
<small>Displayed for: . Limited life parts will normally be accompanied by maintenance history including life used</small>						
13a. Certifies that the items identified above were manufactured in conformity to: <input checked="" type="checkbox"/> approved design data and are in condition for safe operation <input type="checkbox"/> non-approved design data specified in block 12				14a. <input type="checkbox"/> Part-145.A.50 Release to Service <input type="checkbox"/> Other Regulation specified in block 12 <small>Certifies that unless otherwise specified in block 12, the work identified in block 11 was described in block 12, was accomplished in accordance with Part 145 and in respect to that work the items are considered ready for release to service</small>		
13b. Authorised Signature		13c. Approval/Authorisation Number		14b. Authorised Signature		14c. Certificate/Approval Ref. No.
<small>Electronic Signature see File</small>		AT.21G.0006				
13d. Name		13e. Date (dd month yyyy)		14d. Name		

EASA Form 1 (21) Issue 2 Regarding User/Installer responsibilities, Import-Storage requirements please see reverse side PRINTED FROM ELECTRONIC FILE

06389

Engine serial number

On all enquirers or spare part orders, always indicate engine serial number, as the manufacturer makes modification to engine for further development.

The engine serial number (1) is located on the top of the ignition housing. See Fig 1.

d06547.fm

BRP-Rotax

ILLUSTRATED PARTS CATALOG

1.3) Engine view and denomination of the cylinders

PTO	power take off side
MAG	magneto side
Cyl. 1	Cylinder 1
Cyl. 2	Cylinder 2
Cyl. 3	Cylinder 3
Cyl. 4	Cylinder 4

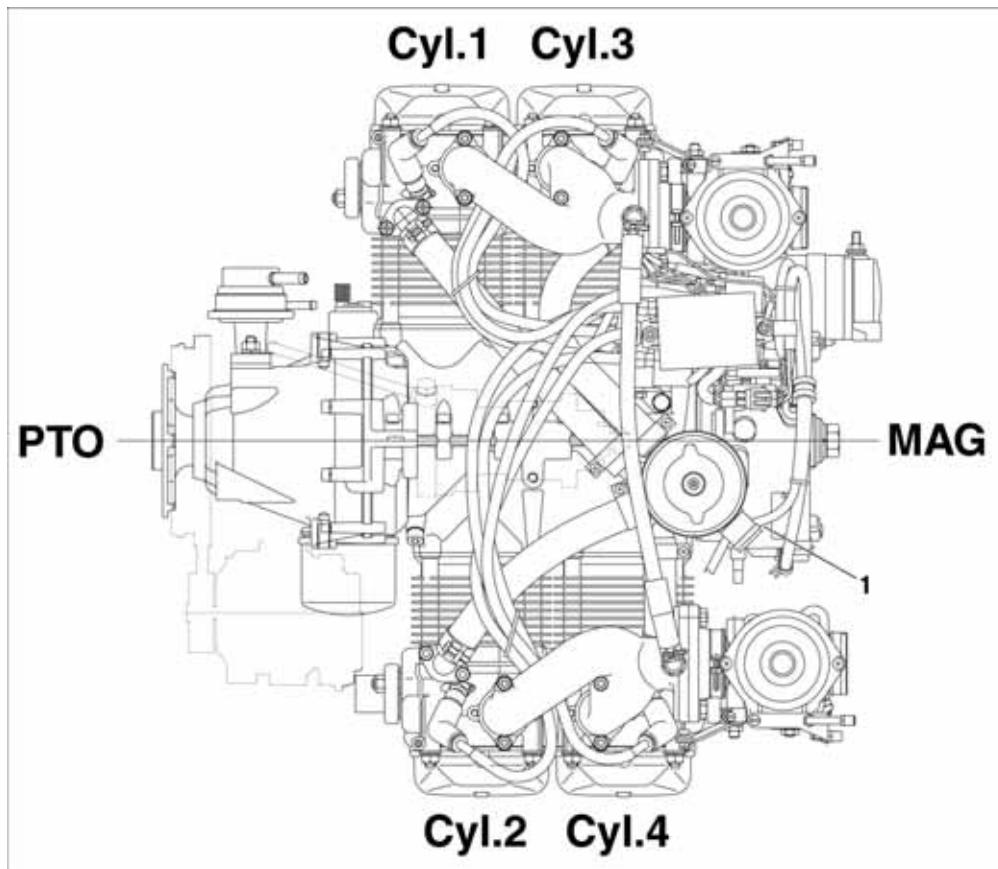


Fig 1

09792

1.4) Repeating symbols

Safety notice

This catalog uses the following symbols to emphasize particular information. These indications are important and must be respected.

mWARNING

Identifies an instruction which, if not followed, may cause serious injury including the possibility of death.

mCAUTION

Identifies an instruction which, if not followed, may cause minor or moderate injure.

NOTICE

Denotes an instruction which, if not followed, may severely damage the engine or other component.

NOTES:

Indicates supplementary information which may be needed to fully complete or understand an instruction.

XXX

In illustrations this sign indicates you the position of the current serial number (e.g. on crankshaft, camshaft, etc.)

|

A revision bar outside of the page margin indicates a change to text or graphic.

1.5) Structure

Exploded view

Each section starts with an exploded view of the type 912/914 Series on the left side. The corresponding heading and the listing of the parts is on the right side and the following pages.

The numbering on the exploded view is in the sequence of assembly as good as practicable.

For prevention of errors and to simplify exchange we tried best to list the part number of each component only once. But for better understanding components are frequently depicted without being listed, but referred to a respective section, if considered necessary.

Engine-column

For each engine type the right amount of spare parts per engine is listed in the relevant engine-column.

If the quantity is in brackets it indicates that the part is not absolutely necessary but optional on the respective engine type.

A small letter added to the number refers to information at the end of the section.

No number in the column parts per assembly indicates that this part is not planned for the respective engine.

Status

BRP-Rotax

ILLUSTRATED PARTS CATALOG

In the column "status" find the following statement:

N	newly introduced part
s.v.	still valid, part was replaced by compatible component and can not be supplied any longer by the producer. Existing stock may be used.
n.a.	not available
AR	as required

Fig. no.	Item no.	FIG. & ITEM No.	STATUS	PART No.	INDENT	Description	PARTS PER ENGINE	
							912 iSc	912 iS
		1 1	N	910899	.1	FUEL PUMP ASSY	1a	1
		1	s.v.	910898	.1	FUEL PUMP ASSY	(1)	1
		2	n.a.	440042	..2	ALLEN SCREW M8x15	2	A.R.

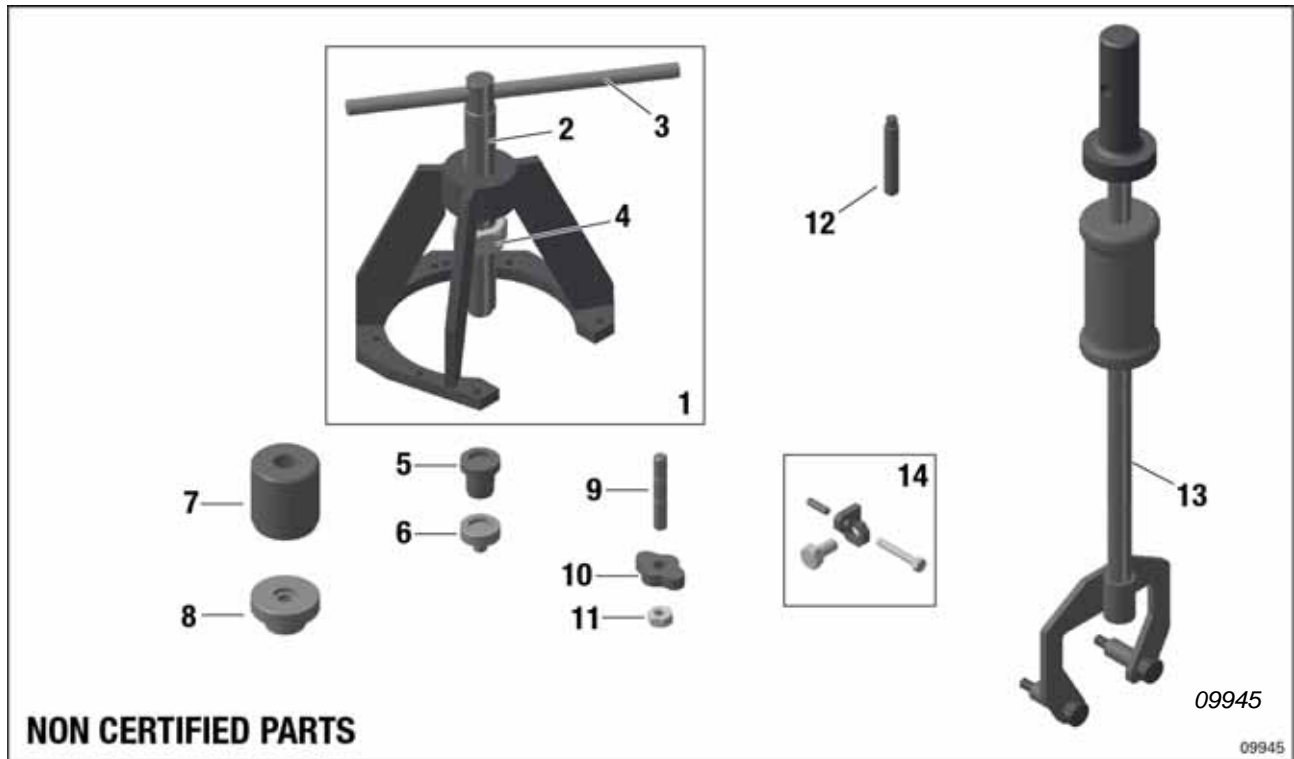
Fig 2

06299

BRP-Rotax

ILLUSTRATED PARTS CATALOG

REPAIR TOOLS



ITEM NO.	Application	ITEM NO.	Application
1-4	Roller bearing 25x25x15, oil seal 30x52x7	9	Roller bearing 25x52x15, oil seal 30x52x7
5	Prop shaft version 2	10-11	Roller bearing 25x52x15, oil seal 30x52x7, oil inlet cover
6	Prop shaft version 3	12	Crankshaft locking screw M8x50
7	Oil seal 30x52x7 version 2	13-14	Gearbox
8	Roller bearing 25x52x15		

d06547.fm

BRP-Rotax
ILLUSTRATED PARTS CATALOG

REPAIR TOOLS

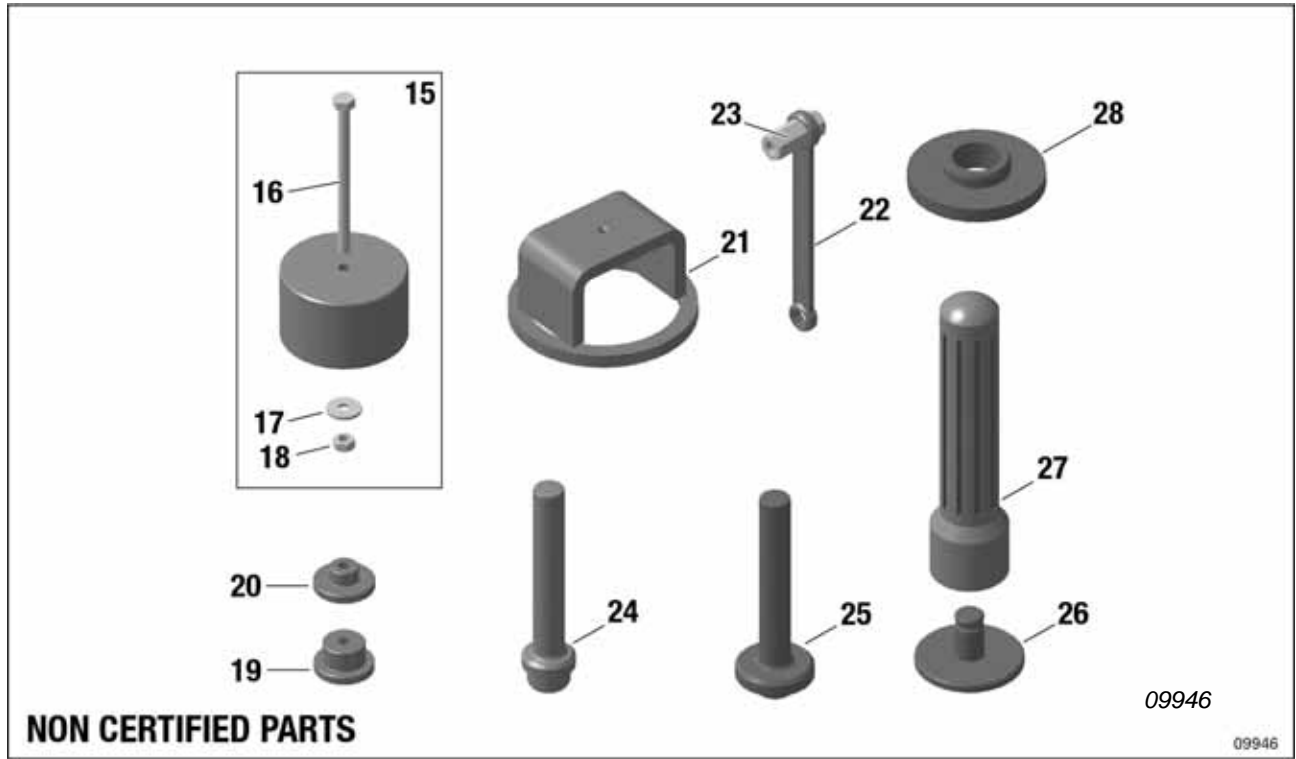
FIG. & ITEM NO.	STATUS	PART NO.	INDENT	Description	Parts per Engine						
					912 A	912 F	912 S	912 UL	912 ULS	914 F	914 UL
1-4		877615	.1	EXTRACTOR ASSY.	1	1	1	1	1	1	1
2		877580	..2	PULL -IN SPINDLE M24x1.5	1	1	1	1	1	1	1
3		276155	..2	BOLT 12X250	1	1	1	1	1	1	1
4		842585	..2	HEX.SCREW M24X1.5 - 19MM	1	1	1	1	1	1	1
5		877605	.1	PRESS-OUT MUSHROOM	1	1	1	1	1	1	1
6		877600	.1	PRESS-OUT MUSHROOM	1	1	1	1	1	1	1
7		877594	.1	PRESS-IN JIG	1	1	1	1	1	1	1
8		877590	.1	PRESS-IN MUSHROOM	1	1	1	1	1	1	1
9		941180	.1	STUD M10X45/20	1	1	1	1	1	1	1
10		877561	.1	PULL-OUT PLATE	1	1	1	1	1	1	1
11		242092	.1	HEX. NUT M10	1	1	1	1	1	1	1
12		240880	.1	THREAD BOLT M8X50	1	1	1	1	1	1	1
13		877660	.1	PULLER ASSY.	1	1	1	1	1	1	1
14	N	877540	.1	PUSHING JIG ASSY.	1	1	1	1	1	1	1

- Items not illustrated

d06547.fm

BRP-Rotax
ILLUSTRATED PARTS CATALOG

REPAIR TOOLS



ITEM NO.	Application	ITEM NO.	Application
15-18	Ball bearing 15x32x8, Oil inlet flange, oil inlet cover	24	Ball bearing 15x32x8, needle sleeve-vacuum pump
19	Needle bearing 22x28x12-vacuum pump	25	Oil seal 22x32x7 vacuum pump
20	Ball bearing 15x32x8-vacuum pump	26	Oil seal 40x55x7 gear box cover
21	To compress dog gear	27	Stamp
22	Ring wrench 10/13	28	Ball bearing 35-72-17, propeller shaft handle with part no. 876518
23	Fixture for vacuum pump drive		

d06547.fm

BRP-Rotax
ILLUSTRATED PARTS CATALOG

REPAIR TOOLS

FIG. & ITEM NO.	STATUS	PART NO.	INDENT	Description	Parts per Engine						
					912 A	912 F	912 S	912 UL	912 ULS	914 F	914 UL
15-18		876489	.1	PULLER ASSY.	1	1	1	1	1	1	1
16		941730	..2	HEX.SCREW M6X80	1	1	1	1	1	1	1
17		827305	..2	WASHER 6.2/18/2	1	1	1	1	1	1	1
18		242211	..2	HEX.NUT M6	1	1	1	1	1	1	1
19		877597	.1	PRESS-IN MUSHROOM	1	1	1	1	1	1	1
20		877595	.1	PRESS-IN MUSHROOM	1	1	1	1	1	1	1
21		876885	.1	MOUNTING YOKE	1	1	1	1	1	1	1
22		876470	.1	RING SPANNER 10/13	1	1	1	1	1	1	1
23		242661	.1	DISTANCE NUT M8X33	1	1	1	1	1	1	1
24		276332	.1	INSERTION JIG ASSY.	1	1	1	1	1	1	1
25		877276	.1	INSERTION JIG ASSY.	1	1	1	1	1	1	1
26		876518	.1	INSERTION JIG	1	1	1	1	1	1	1
27		877650	.1	HANDLE FOR INSERTION JIG	1	1	1	1	1	1	1
28		877320	.1	PRESS-IN RING	1	1	1	1	1	1	1

- Items not illustrated

d06547.fm

BRP-Rotax
ILLUSTRATED PARTS CATALOG

REPAIR TOOLS



ITEM NO.	Application	ITEM NO.	Application
29-31	Hex nut A/F 41 - gear on crankshaft	36	Piston diameter 79.5 mm/3.13 in.
32	Fitting of piston pin circlips	37-38	Puller Magneto hub and sprag clutch
33-34	Fitting and removal of piston pin	39	Crankshaft magneto side
35	Mono hook clips puller	40	Adapter ring assy. for valve spring mounting device
36	Piston diameter 84 mm/3.3 in.	40-42	Installation/Removal of valve spring

d06547.fm

BRP-Rotax
ILLUSTRATED PARTS CATALOG

REPAIR TOOLS

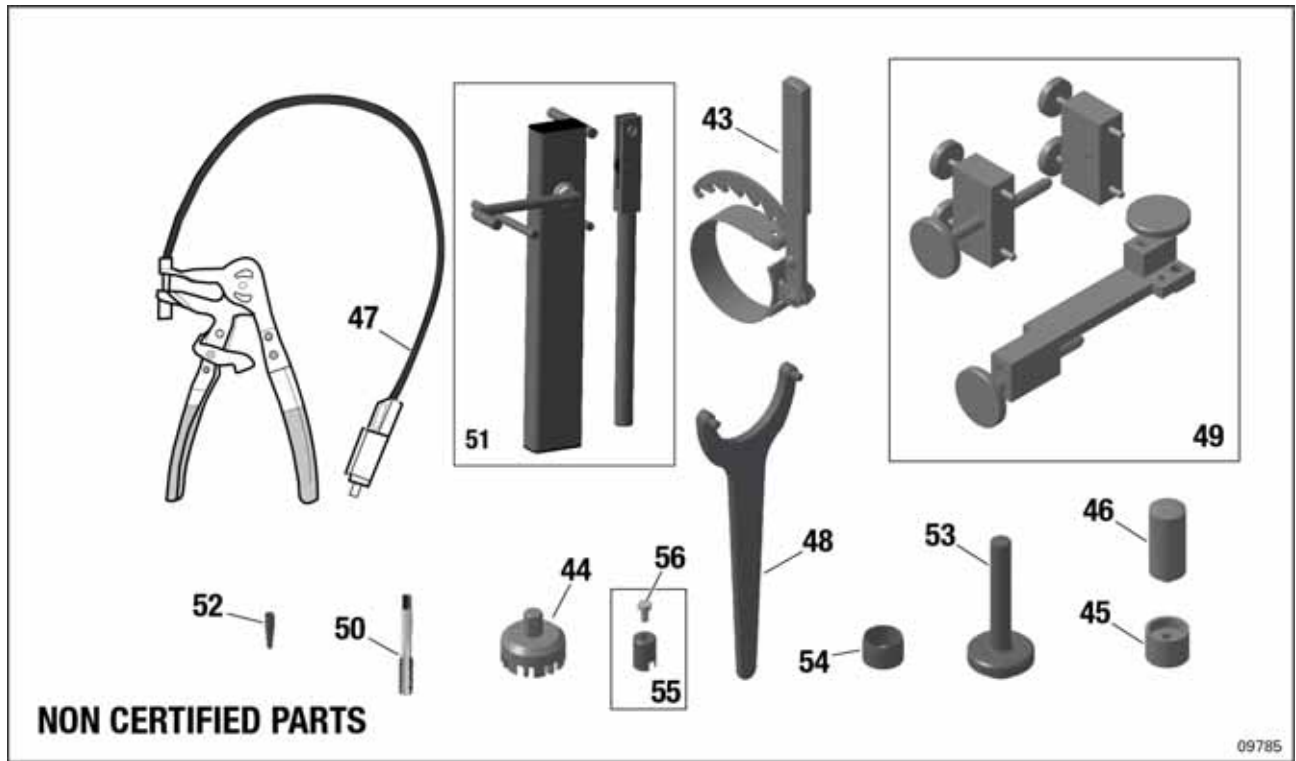
FIG. & ITEM NO.	STATUS	PART NO.	INDENT	Description	Parts per Engine						
					912 A	912 F	912 S	912 UL	912 ULS	914 F	914 UL
29		877445	.1	SOCKET WRENCH ASSY. 41X12.5	1	1	1	1	1	1	1
30		877440	.1	SOCKET WRENCH A/F 41X20	1	1	1	1	1	1	1
31		877460	.1	REDUCING SOCKET 3/4"-1/2"	1	1	1	1	1	1	1
32		877802	.1	CIRCLIP INSTALLATION TOOL	1	1	1	1	1	1	1
33-34		877091	.1	PISTON PIN EXTRACTOR ASSY.	1	1	1	1	1	1	1
34	n.a.	877155	..2	EXTRACTING NUT ASSY.	1	1	1	1	1	1	1
35		976380	.1	MONOHOOK CIRCLIP REMOVER	1	1	1	1	1	1	1
36		876967	.1	PISTON RING SPANNER 84 MM			1		1		
36		876978	.1	PISTON RING SPANNER 79.5 MM	1	1		1		1	1
37-38		877375	.1	PULLER ASSY.	1	1	1	1	1	1	1
38	n.a.	940755	..2	HEX. SCREW M16X1.5X150	1	1	1	1	1	1	1
39		877417	.1	PROTECTION MUSHROOM	1	1	1	1	1	1	1
40		877790	.1	ADAPTER RING ASSY.	1	1	1	1	1	1	1
41		877380	.1	VALVE SPRING MOUNTING DEVICE	1	1	1	1	1	1	1
42		877387	.1	VALVE SPRING LOADING JIG	1	1	1	1	1	1	1

- Items not illustrated

d06547.fm

BRP-Rotax
ILLUSTRATED PARTS CATALOG

REPAIR TOOLS



ITEM NO.	Application	ITEM NO.	Application
43	Oil filter removal	50	Thread bent socket
44	Water pump impeller	51	Oil filter
45	Rotary seal water pump	52	For O-ring 3.2x1.8 idle mixture screw and idle jet 35
46	Oil Seal 12x30x7 water pump shaft	53	Oil Seal 32x52x7 crankshaft magneto side (ms)
47	Spring type hose clip 28	54	Oil Seal 32x52x7 crankshaft ms
48	Overload clutch	55	For check of float chamber
49	Crankcase	56	For float level gauge

d06547.fm

BRP-Rotax
ILLUSTRATED PARTS CATALOG

REPAIR TOOLS

FIG. & ITEM NO.	STATUS	PART NO.	INDENT	Description	Parts per Engine						
					912 A	912 F	912 S	912 UL	912 ULS	914 F	914 UL
43		877620	.1	OIL FILTER WRENCH 80-110	1	1	1	1	1	1	1
44		877295	.1	IMPELLER WRENCH ASSY.	1	1	1	1	1	1	1
45		877258	.1	INSERTION JIG	1	1	1	1	1	1	1
46		876510	.1	INSERTION JIG	1	1	1	1	1	1	1
47		877840	.1	SPRING CLAMP PLIERS	1	1	1	1	1	1	1
48		877390	.1	NUT SPANNER A90	1	1	1	1	1	1	1
49	N n.a.	877766 877765	.1	CRANKCASE SPLITTING TOOL ASSY.	1a	1a	1a	1a	1a	1a	1a
50		877570	.1	TAPPING DRILL M18X1	1	1	1	1	1	1	1
51	N s.v.	276275 877670	.1	CUTTING TOOL	1	1	1	1	1	1	1
52		877110	.1	GUIDE SLEEVE	1	1	1	1	1	1	1
53		877270	.1	INSERTION JIG ASSY.	1	1	1	1	1	1	1
54		877360	.1	GUIDE SLEEVE	1	1	1	1	1	1	1
55-56		877730	.1	FLOAT LEVEL GAUGE ASSY.	1	1	1	1	1	1	1
56	n.a.	240381	.1	HEX. SCREW M6x12	1	1	1	1	1	1	1

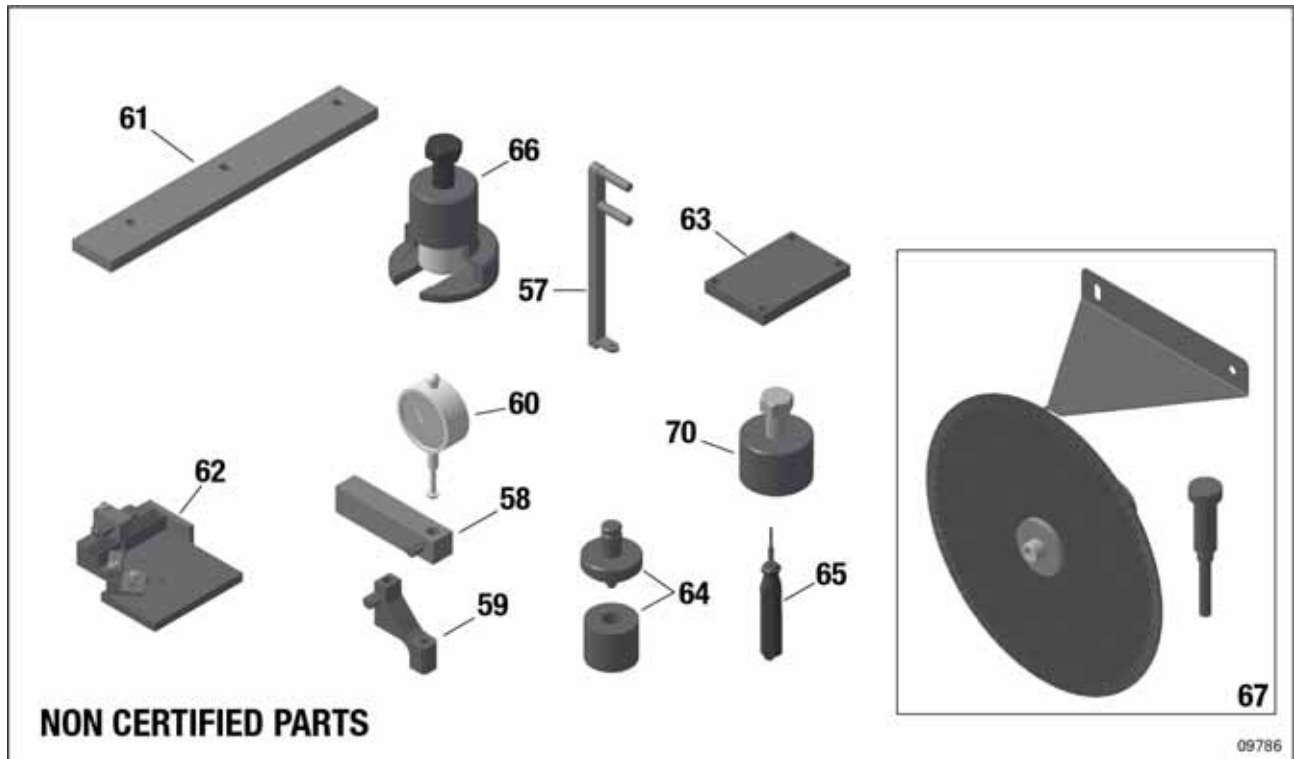
- Items not illustrated

a for all 912 and 914 Series. Part no. 877765 not for 912 iS Series and 915 i S Series.

d06547.fm

BRP-Rotax
ILLUSTRATED PARTS CATALOG

REPAIR TOOLS



ITEM NO.	Application	ITEM NO.	Application
57	Checking of hydraulic valve tappet and valve spring force	63	For aligning cylinders
58	Checking plain bearing protrusion	64	Oil seal 6x11x3/ 4.5 of rev counter housing
59-60	Dial gauge	65	To release the cable on electr. connectors
61	Checking plain bearing position	66	For press in of worm gear, mech. rev counter
62	Dial gauge adapter for valve seat inspect	67	See MM Line Chapt. 05-50-00

d06547.fm

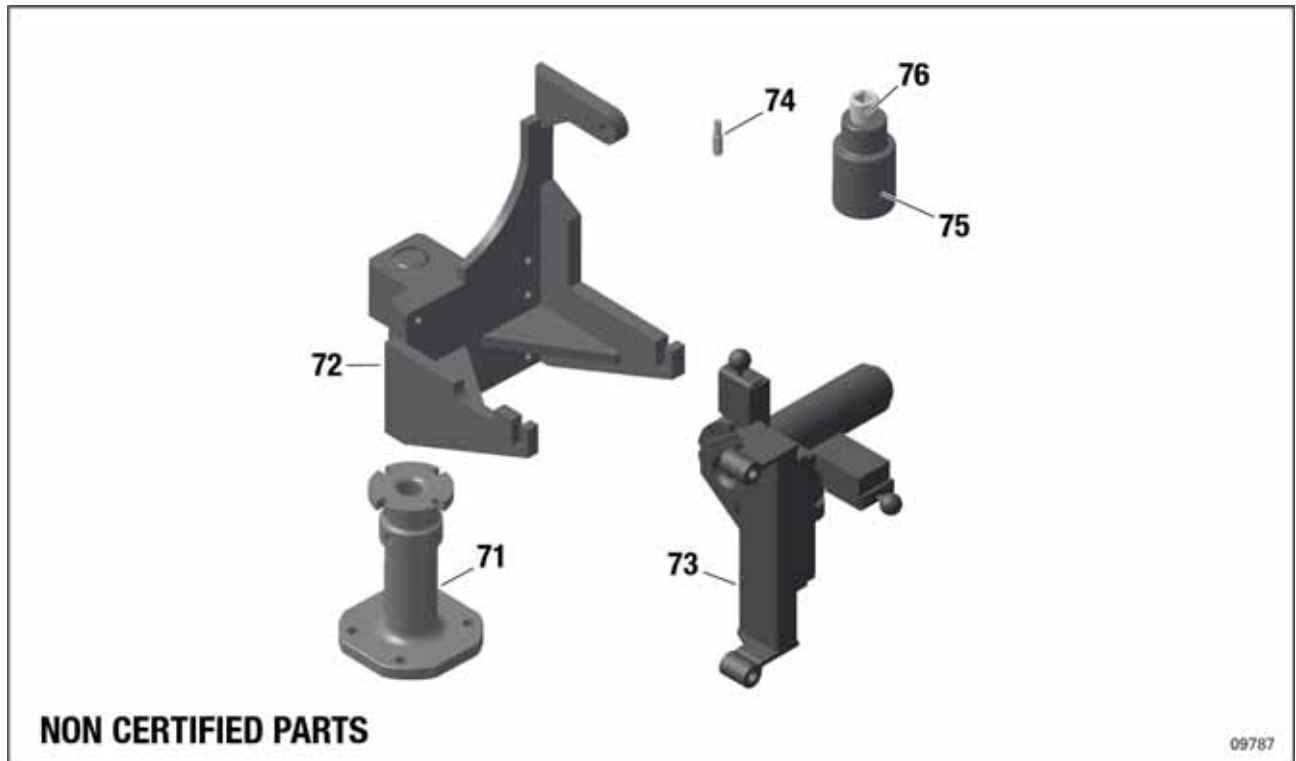
BRP-Rotax
ILLUSTRATED PARTS CATALOG

REPAIR TOOLS

FIG. & ITEM NO.	STATUS	PART NO.	INDENT	Description	Teile pro Motortype /Parts per Engine						
					912 A	912 F	912 S	912 UL	912 ULS	914 F	914 UL
57		877690	.1	CHECK LEVER	1	1	1	1	1	1	1
58		877316	.1	GRADUATED STRAIGHTEDGE ASSY.	1	1	1	1	1	1	1
59		877710	.1	DIAL GAUGE ADAPTER ASSY	1	1	1	1	1	1	1
60		876950	.1	PRECISION DIAL GAUGE	1	1	1	1	1	1	1
61		877300	.1	ALIGNING PLATE	1	1	1	1	1	1	1
62		976140	.1	DIAL GAUGE ADAPTER ASSY.	1	1	1	1	1	1	1
63	s.v. N	877262 877263	.1	CYLINDER ALIGNING TOOL	1	1	1	1	1	1	1
64		877680	.1	INSERTION JIG WITH SLEEVE	1	1	1	1	1	1	1
65		877500	.1	PIN RELEASE TOOL	1	1	1	1	1	1	1
66		877190	.1	PRESS-IN TOOL	1	1	1	1	1	1	1
67		877520	.1	PROTRACTOR CRANKSHAFT DISTORTION INSP.	1	1	1	1	1	1	1

- Items not illustrated

BRP-Rotax
ILLUSTRATED PARTS CATALOG



ITEM NO.	Application	ITEM NO.	Application
70	Slim edition for magneto hub	71	Engine support
72	For engine fixation (912 with engine suspension frame on the gearbox/914)	73	For engine fixation (912/914) without engine suspension frame
74	For magnetic drain plug (old version)	75	Hex. nut (A/F 46), crankshaft magneto side
76	1" to 3/4"adapter for socket		

d06547.fm

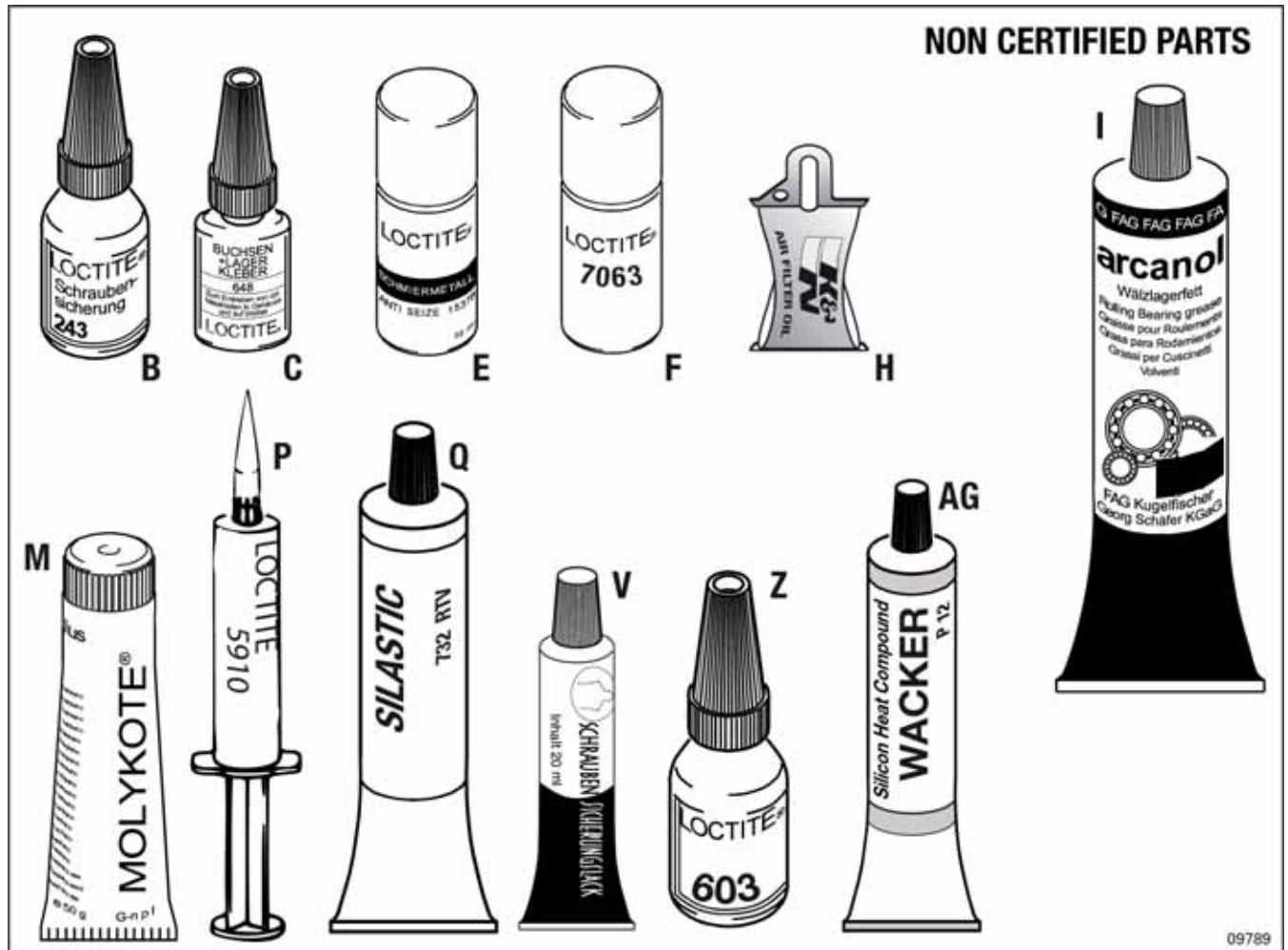
BRP-Rotax
ILLUSTRATED PARTS CATALOG

REPAIR TOOLS

FIG. & ITEM NO.	STATUS	PART NO.	INDENT	Description	Parts per Engine						
					912 A	912 F	912 S	912 UL	912 ULS	914 F	914 UL
70		877377	.1	PULLER ASSY.	1	1	1	1	1	1	1
71		877930	.1	TRESTLE SUPPORT	1	1	1	1	1		
72		877245	.1	TRESTLE ADAPTER ASSY.	1	1	1	1	1	1	1
73		877240	.1	TRESTLE ADAPTER ASSY.	1	1	1	1	1	1	1
74		877890	.1	TORX-BIT T40	1	1	1	1	1	1	1
75		877450	.1	SOCKET WRENCH 46x20	1	1	1	1	1	1	1
76		877465	.1	REDUCING SOCKET 1"-3/4"	1	1	1	1	1	1	1

d06547.fm

BRP-Rotax
ILLUSTRATED PARTS CATALOG
LUBRICANT TOOLS



ITEM NO.	Application	ITEM NO.	Application
B	Medium strength bond 10 cc.	E	To prevent metal galling 50 cc.
C	High strength bond 5 cc.	F	Purpose cleaner and degreaser for residue-free surface preparation prior to adhesive application.
H	Filter oil spray can.	Q	Ideal for sealing wire entries and connectors, for vibration damping of exhaust springs.

d06547.fm

BRP-Rotax

ILLUSTRATED PARTS CATALOG

ITEM NO.	Application	ITEM NO.	Application
I	To prevent leakage current; 250 gr.	V	Special lacquer which is applied to a fastener to indicate tampering or loosening of the fastener.
M	Solid lubricant paste for the assembly and running-in of metal components.	Z	High strength bond 10 cc..
P	Regular body/high adhesion flexible flange sealant.	AG	For better heat transfer from the spark plugs.

d06547.fm

BRP-Rotax

ILLUSTRATED PARTS CATALOG

LUBRICANT TOOLS

FIG. & ITEM NO.	STATUS	PART NO.	INDENT	Description	Parts per Engine						
					912 A	912 F	912 S	912 UL	912 ULS	914 F	914 UL
B		897651	.1	LOCTITE 243 BLUE, 10 cc.	AR	AR	AR	AR	AR	AR	AR
C		899788	.1	LOCTITE 648 GREEN, 5 cc.	AR	AR	AR	AR	AR	AR	AR
E		297434	.1	LOCTITE ANTI SEIZE 8151 50 cc.	AR	AR	AR	AR	AR	AR	AR
F	n.a.	xxx	.1	LOCTITE 7063 CLEANER	AR	AR	AR	AR	AR	AR	AR
H		897870	.1	FILTER OIL 14.8 cc.	AR	AR	AR	AR	AR	AR	AR
I		897330	.1	LITHIUM-BASE GREASE, 250 GR.,	AR	AR	AR	AR	AR	AR	AR
M		297433	.1	MOLYKOTE G-N 100GR.	AR	AR	AR	AR	AR	AR	AR
- O	n.a.	xxx	.1	ENGINE OIL	AR	AR	AR	AR	AR	AR	AR
P		899791	.1	LOCTITE 5910, 50 cc.	AR	AR	AR	AR	AR	AR	AR
Q		297386	.1	SILASTIC 732 RTV, 100GR.	AR	AR	AR	AR	AR	AR	AR
V	n.a.	898570	.1	LOCKING PAINT RED	AR	AR	AR	AR	AR	AR	AR
Z		899789	.1	LOCTITE 603 GREEN, 10 cc.	AR	AR	AR	AR	AR	AR	AR
AG		897186	.1	SILICONE HEAT COMPOUND WACKER P12, 150GR.	AR	AR	AR	AR	AR	AR	AR
-		899796	.1	LOCTITE 577 YELLOW 50 cc.	AR	AR	AR	AR	AR	AR	AR

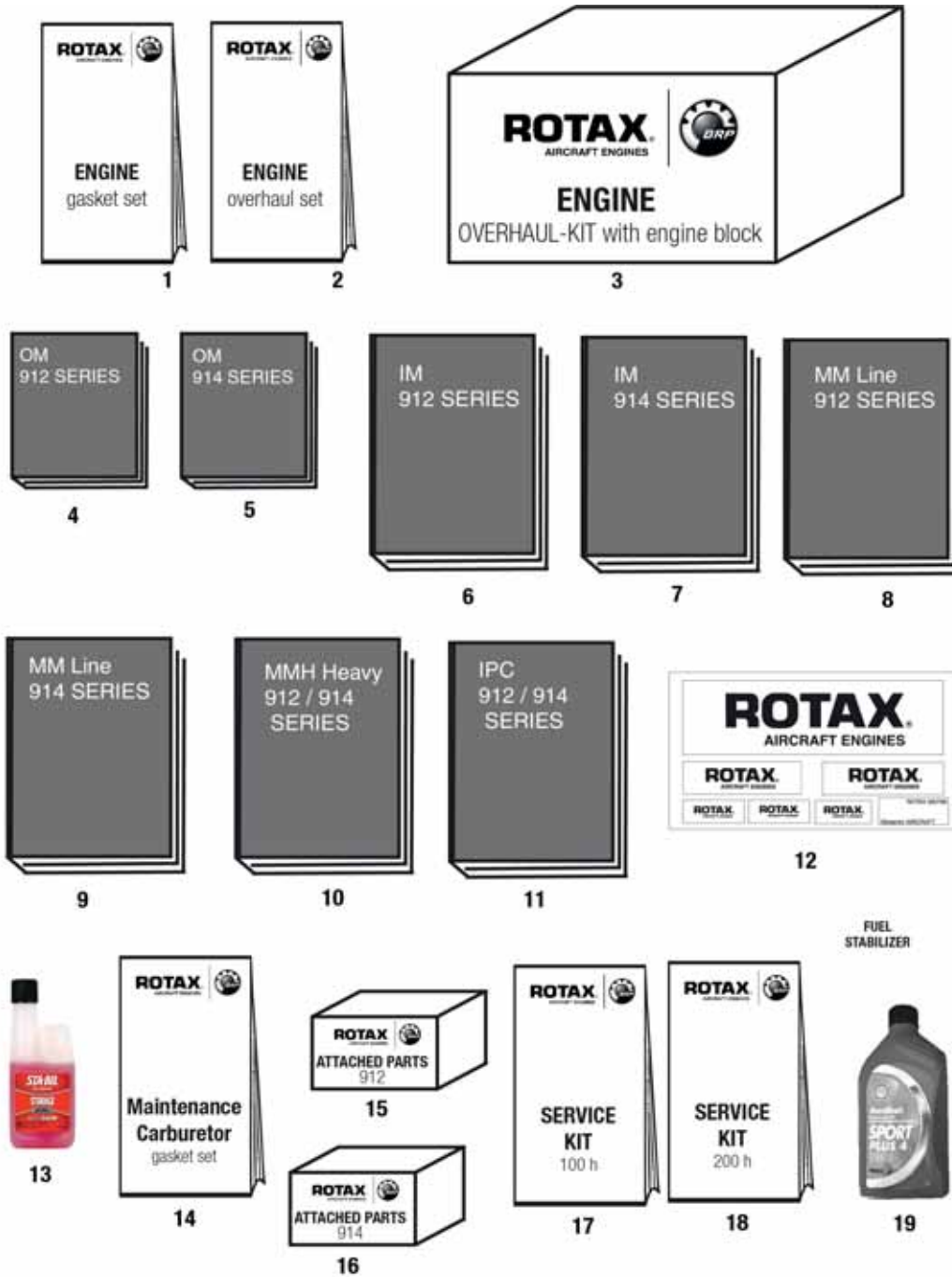
- Items not illustrated

d06547.fm

BRP-Rotax

ILLUSTRATED PARTS CATALOG

GASKET SET, DOCUMENTATIONS



09790

d06547.fm

BRP-Rotax
ILLUSTRATED PARTS CATALOG
GASKET SET, DOCUMENTATION

FIG. & ITEM NO.	STATUS	PART NO.	INDENT	Description	Parts per Engine						
					912 A	912 F	912 S	912 UL	912 ULS	914 F	914 UL
1		996944	.1	GASKET SET	1a	1a	1a	1a	1a	1a	1a
1		996946	.1	GASKET SET CARBURETOR	1b	1b	1b	1b	1b		
1		996947	.1	GASKET SET CARBURETOR						1b	1b
2		888304	.1	OVERHAUL-KIT	1	1		1			
2		888306	.1	OVERHAUL-KIT			1		1		
2		888308	.1	OVERHAUL-KIT						1	1
3		893240	.1	OVERHAUL-KIT 912-80 HP WITH ENGINE BLOCK	1	1		1			
3		893242	.1	OVERHAUL-KIT 912-100 HP WITH ENGINE BLOCK			1		1		
3		893244	.1	OVERHAUL-KIT 914 WITH ENGINE BLOCK						1	1
4		899700	.1	OPERATORS MANUAL 912 SERIES	1	1	1	1	1		
5		899706	.1	OPERATORS MANUAL 914 SERIES						1	1
6		898644	.1	INSTALLATION MANUAL 912 SERIES	1	1	1	1	1		
7		897818	.1	INSTALLATION MANUAL 914 SERIES						1	1
8		899196	.1	MAINTENANCE MANUAL LINE 912 SERIES	1	1	1	1	1		
9		899608	.1	MAINTENANCE MANUAL LINE 914 SERIES						1	1
10		899603	.1	MAINTENANCE MANUAL HEAVY 912/914 SERIES	1	1	1	1	1	1	1
11		899473	.1	SPARE PARTS CATALOG 912/914 SERIES	1	1	1	1	1	1	1
12		580682	.1	ROTAX STICKER KIT AIRCRAFT	1	1	1	1	1	1	1
13		897346	.1	FUEL STABILIZER 118 cc	AR	AR	AR	AR	AR	AR	AR

- Items not illustrated

d06547.fm

BRP-Rotax

ILLUSTRATED PARTS CATALOG

FIG. & ITEM NO.	STATUS	PART NO.	INDENT	Description	Parts per Engine						
					912 A	912 F	912 S	912 UL	912 ULS	914 F	914 UL
14		889534	.1	MAINTENANCE SET CARBURETOR	2cd	2cd	2cd	2cd	2cd	2cd	2cd
15		881055	.1	ATTACHED PARTS 912	1j	1j	1j	1j	1j		
16		881057	.1	ATTACHED PARTS 914						1j	1j
17		481460	.1	SERVICE KIT 100 h	1g	1g	1g	1g	1g		
18		481462	.1	SERVICE KIT 200 h	1h	1h	1h	1h	1h		
17		481470	.1	SERVICE KIT 100 h						1i	1i
18		481472	.1	SERVICE KIT 200 h						1h	1h
19		297997	.1	AEROSHELL SPORT PLUS 4 GEN 2	4f	4f	4f	4f	4f	4f	4f

- Items not illustrated

- a for engines without carburetor gasket set
- b Gasket set for both carburetors
- c Maintenance set for 1 carburetor
- d with gasket viton
- e with paper gasket
- f 1000 ml / 0.26 gal. bottle
- g includes: oil filter, gasket ring (oil tank), sealing ring of crankshaft locking screw, carburetor float bowl gasket
- h includes all parts from 100 h kit + spark plugs
- i includes g + O-ring float bowl screw
- j loose parts enclosed inside of new engine crate

d06547.fm

BRP-Rotax
ILLUSTRATED PARTS CATALOG

INTENTIONALLY LEFT BLANK

d06548.fm

BRP-Rotax
ILLUSTRATED PARTS CATALOG

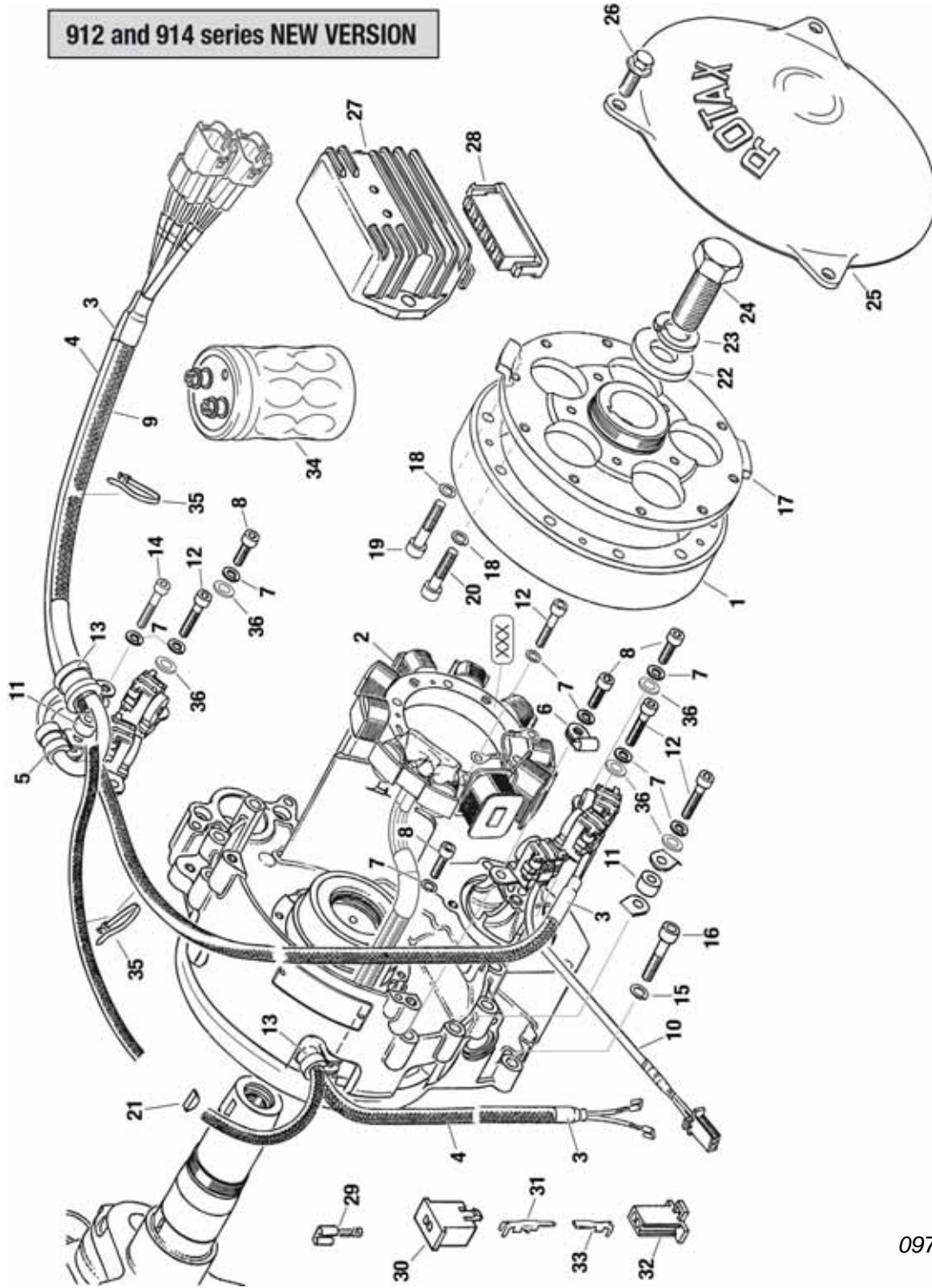


Fig. 24-20-00-1

09774

d06548.fm

BRP-Rotax

ILLUSTRATED PARTS CATALOG

Chapter) 24-20-00

MAGNETO-GENERATOR, PICK UP, RECTIFIER REGULATOR

FIG & ITEM NO.	STATUS	PART NO.	INDENT	Description	Parts per Engine						
					912 A	912 F	912 S	912 UL	912 ULS	914 F	914 UL
1 1		965192	.1	MAGNETO RING	1	1	1	1	1	1	1
2-6		891095	.1	STATOR ASSY.	1b	1b	1b	1b	1b	1b	1b
3		860530	..2	SHRINK HOSE	AR	AR	AR	AR	AR	AR	AR
4	N s.v.	956620 965623	..2	SCREENING METAL BRAID	AR	AR	AR	AR	AR	AR	AR
5		851111	.1	CABLE CLAMP 8/M5	1	1	1	1	1	1	1
6	N s.v.	851566 851565	.1	CABLE CLAMP 7/M5	1	1	1	1	1	1	1
7	N s.v.	945830 945750	.1	LOCK WASHER A5.	12	12	12	12	12	12	12
8	N s.v.	840514 840511	.1	ALLEN SCREW M5x16	4	4	4	4	4	4	4
9,36		965176	.1	TRIGGER COIL KIT 4-POLE	1d	1d	1d	1d	1d	1d	1d
9,36		965179	.1	TRIGGER COIL KIT 6-POLE	1c	1c	1c	1c	1c	1c	1c
10		264087	.1	TRIGGER COIL ASSY.	1e	1e	1e	1e	1e	1e	1e
11		847660	.1	SPACER 5.2/12/7.4	4	4	4	4	4	4	4
12	N	240187	.1	ALLEN SCREW M5x25	7	7	7	7	7	7	7
	s.v.	240186	.1	ALLEN SCREW M5x25	7	7	7	7	7	7	7
13		851250	.1	CABLE CLAMP 15/M5	2	2	2	2	2	2	2
14	N s.v.	940882 940881	.1	ALLEN SCREW M5x30	1	1	1	1	1	1	1
15	N	827962	.1	WASHER 6.4	7	7	7	7	7	7	7
	s.v.	827961	.1	WASHER 6.4	7	7	7	7	7	7	7
15	N s.v.	945831 945751	.1	LOCK WASHER A6	7	7	7	7	7	7	7
16		xxxxxx	.1	see Chapt. 75-20-00	7	7	7	7	7	7	7
17	s.v.	966871	.1	FLY WHEEL HUB	1	1	1	1	1		

- Items not illustrated

d06548.fm

BRP-Rotax
ILLUSTRATED PARTS CATALOG

FIG & ITEM NO.	STATUS	PART NO.	INDENT	Description	Parts per Engine						
					912 A	912 F	912 S	912 UL	912 ULS	914 F	914 UL
17		966872	.1	FLY WHEEL HUB - ADVANCE START	1a	1a	1a	1a	1a		
17		966877	.1	FLY WHEEL HUB						1	1
18		845381	.1	LOCK WASHER A6	10	10	10	10	10	10	10
19		840883	.1	ALLEN SCREW M6x30	5	5	5	5	5	5	5
20		840863	.1	ALLEN SCREW M6x25	5	5	5	5	5	5	5
21		246571	.1	WOODRUFF KEY 4x5	1	1	1	1	1	1	1
22		944073	.1	WASHER 17/36/5	1	1	1	1	1	1	1
23	N s.v.	945769 945768	.1	LOCK WASHER 16	1	1	1	1	1	1	1
24	N s.v.	841602 841601	.1	HEX. SCREW M16x1.5x40	1	1	1	1	1	1	1
25		810980	.1	IGNITION COVER	(1)	(1)	1	(1)	1	1	1
26	N s.v.	640172 640171	.1	HEX. SCHRAUBE M6x16	(3)	(3)	3	(3)	3	3	3
27- 28		965349	.1	RECTIFIER REGULATOR	1	1	1	1	1	1	1
28		965335	..2	CONNECTOR HOUSING	1	1	1	1	1	1	1
29		864011	.1	FASTON CONNECTOR 6.3x0.8	AR	AR	AR	AR	AR	AR	AR
30		265252	.1	CONNECTOR HOUSING, TWO-POLE	AR g	AR g	AR g	AR g	AR g	AR g	AR g
31		265272	.1	FASTON CONNECTOR	AR g	AR g	AR g	AR g	AR g	AR g	AR g
32		265250	.1	CONNECTOR HOUSING, TWO-POLE	AR	AR	AR	AR	AR	AR	AR
33		265270	.1	FASTON CONNECTOR	AR	AR	AR	AR	AR	AR	AR
34		966590	.1	CAPACITOR, 22000 MYF 25 V	1	1	1	1	1	1	1
35		866710	.1	CLAMP 142x2.5 MM	3	3	3	3	3	3	3
36	N s.v.	827801 827800	.1	WASHER A 5,5	7f	7f	7f	7f	7f	7f	7f

- Items not illustrated

d06548.fm

BRP-Rotax

ILLUSTRATED PARTS CATALOG

- a See SI-912-028 Advanced start system
 - b SI-912-013 / SI-914-016 standardization of the ignition unit
 - c Trigger coil kit with elongated hole for adjustment and 6-pole connector incl. 7 pcs. part no. 827801
 - d 4-pole connector and trigger coil without alignment incl. 7 pcs. part no. 827801.
Replaced trigger coil kit part no. 965177.
- See Maintenance Manual Heavy of the respective engine type, current issue.
- e Trigger coil for rev. counter to part no. 965176 and part no. 965179
 - f At all trigger coils with long hole
 - g Not with Form 1

BRP-Rotax
ILLUSTRATED PARTS CATALOG

INTENTIONALLY LEFT BLANK

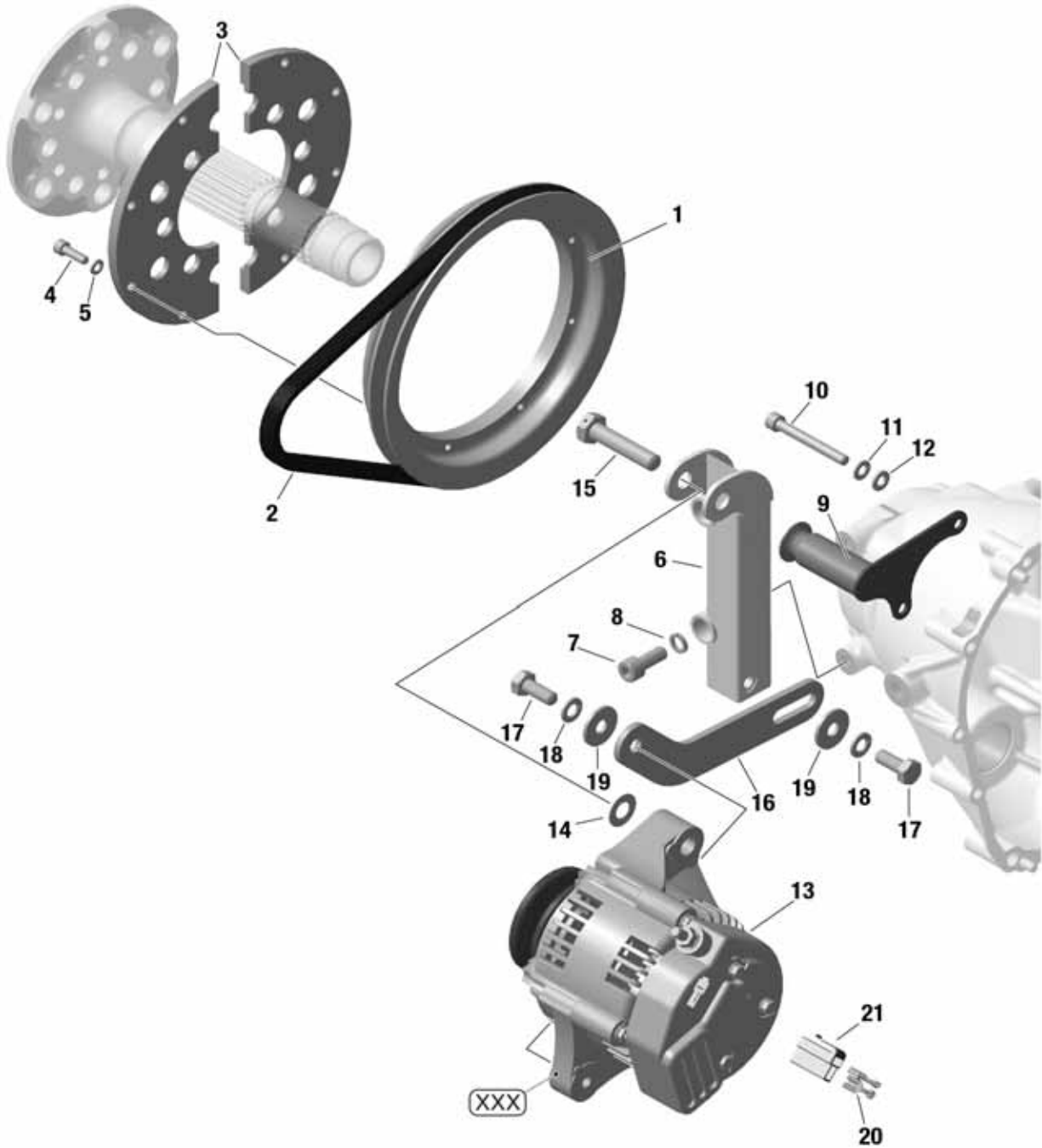
d06548.fm

BRP-Rotax
ILLUSTRATED PARTS CATALOG

INTENTIONALLY LEFT BLANK

d06549.fm

BRP-Rotax
ILLUSTRATED PARTS CATALOG



D8735

Fig. 24-30-00-1

08765

d06549.fm

BRP-Rotax
ILLUSTRATED PARTS CATALOG

Chapter) 24-30-00
EXTERNAL ALTERNATOR (ALL PARTS OPTIONAL)

FIG & ITEM NO.	STATUS	PART NO.	INDENT	Description	Parts per Engine						
					912 A	912 F	912 S	912 UL	912 ULS	914 F	914 UL
1	1-21	887254	.1	ALTERNATOR SET	1	1	1	1	1	1	1
	1	980590	..2	V-BELT PULLEY	1	1	1	1	1	1	1
	2	980400	..2	V-BELT 9.5X675	1	1	1	1	1	1	1
	3	980605	..2	PULLEY CARRIER	2	2	2	2	2	2	2
	4	N s.v. 840514 840511	..2	ALLEN SCREW M5X16	8	8	8	8	8	8	8
	5	N s.v. 945830 945750	..2	LOCK WASHER A5	8	8	8	8	8	8	8
	6	N s.v. 953223 953222	..2	ALTERNATOR BRACKET AS- SY.	1	1	1	1	1	1	1
	7	N n.a. 240072 240071	..2	ALLEN SCREW M8X20	2	2	2	2	2	2	2
	8	845310	..2	LOCK WASHER VHZ 8	2	2	2	2	2	2	2
	9	N s.v. 953233 953232	..2	ALTERNATOR SUPPORT AS- SY.	1	1	1	1	1	1	1
	10	N s.v. 241762 241761	.2	ALLEN SCREW M6X50	2	2	2	2	2	2	2
	11	N s.v. 827962 827961	..2	WASHER 6.4	2	2	2	2	2	2	2
	11	N s.v. 945831 945751	..2	LOCK WASHER A6	2	2	2	2	2	2	2
	12	N s.v. 827962 827961	..2	WASHER 6.4	2	2	2	2	2	2	2
	13	887251	..2	ALTERNATOR F3A	1a	1a	1a	1a	1a	1a	1a
	14	927952	..2	THRUST WASHER 10.1/20/0.5	1	1	1	1	1	1	1
	15	941636	..2	HEX. SCREW M10X45	1	1	1	1	1	1	1
	16	953241	..2	TENSION BAR	1	1	1	1	1	1	1
	17	940596	..2	HEX. SCREW M8X20	2	2	2	2	2	2	2

- Items not illustrated

d06549.fm

BRP-Rotax
ILLUSTRATED PARTS CATALOG

FIG & ITEM NO.	STATUS	PART NO.	INDENT	Description	Parts per Engine						
					912 A	912 F	912 S	912 UL	912 ULS	914 F	914 UL
18	N s.v.	945832 945752	..2	LOCK WASHER A8	2	2	2	2	2	2	2
19		227935	..2	WASHER 8.4	2	2	2	2	2	2	2
20		864011	..2	FASTON CONNECTOR 6.3X0.8	2	2	2	2	2	2	2
21		265255	..2	CONNECTOR HOUSING 2- POLE	1	1	1	1	1	1	1

- Items not illustrated

a Marked with S/N

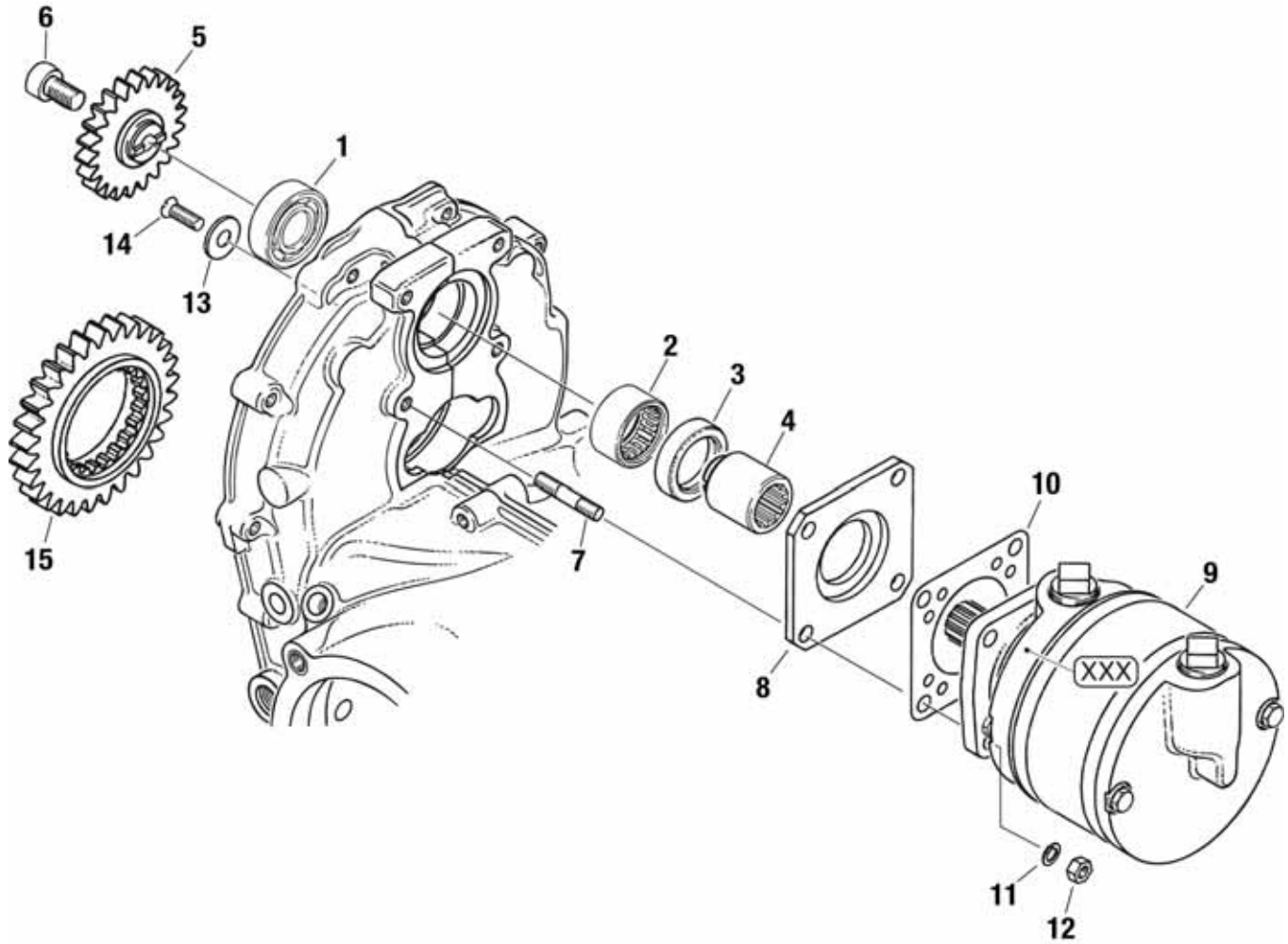
d06549.fm

BRP-Rotax
ILLUSTRATED PARTS CATALOG

INTENTIONALLY LEFT BLANK

d06550.fm

BRP-Rotax
ILLUSTRATED PARTS CATALOG



09758

Fig. 37-10-00-1

BRP-Rotax

ILLUSTRATED PARTS CATALOG

Chapter) 37-10-00

VACUUM PUMP WITH DRIVE (ALL PARTS OPTIONAL)

FIG & ITEM NO.	STATUS	PART NO.	IN-DENT	Description	Parts per Engine						
					912 A	912 F	912 S	912 UL	912 ULS	914 F	914 UL
1 1-8		881690	.1	VACUUM PUMP DRIVE RETROFIT KIT	AR	AR	AR	AR	AR	AR	AR
1	N s.v.	832363 832362	..2	BALL BEARING 16002 15-32-8 See chapt. 61-20-00	1	1	1	1	1	1	1
2		232925	..2	NEEDLE SLEEVE 22x28x12 See chapt. 61-20-00	1	1	1	1	1	1	1
3		831265	..2	OIL SEAL AS 22x32x7	1	1	1	1	1	1	1
4		847771	..2	DRIVE SLEEVE, SHORT	1	1	1	1	1	1	1
5		834245	..2	VACUUM PUMP GEAR 22T	1	1	1	1	1	1	1
6		941527	..2	ALLEN SCREW M8x14	1	1	1	1	1	1	1
7		941080	..2	STUD M6X20/10	4	4	4	4	4	4	4
8		810170	..2	ATTACHMENT FLANGE	1	1	1	1	1	1	1
9-10	n.a.		.1	VACUUM PUMP RA211CC	1	1	1	1	1	1	1
10	n.a.		..2	GASKET	1	1	1	1	1	1	1
11	N s.v.	827962 827961	.1	WASHER A6.4	4	4	4	4	4	4	4
11	N s.v.	945831 945751	.1	LOCK WASHER A6	4	4	4	4	4	4	4
12		242211	.1	HEX.NUT M6	4	4	4	4	4	4	4
13		xxxxxx	.1	See chapt. 72-20-00	1	1	1	1	1	1	1
14		xxxxxx	.1	See chapt. 72-20-00	1	1	1	1	1	1	1
15		xxxxxx	.1	See chapt. 72-10-00	1	1	1	1	1	1	1

- Items not illustrated

d06550.fm

BRP-Rotax
ILLUSTRATED PARTS CATALOG

INTENTIONALLY LEFT BLANK

d06550.fm

BRP-Rotax

ILLUSTRATED PARTS CATALOG

INTENTIONALLY LEFT BLANK

d06551.fm

BRP-Rotax
ILLUSTRATED PARTS CATALOG

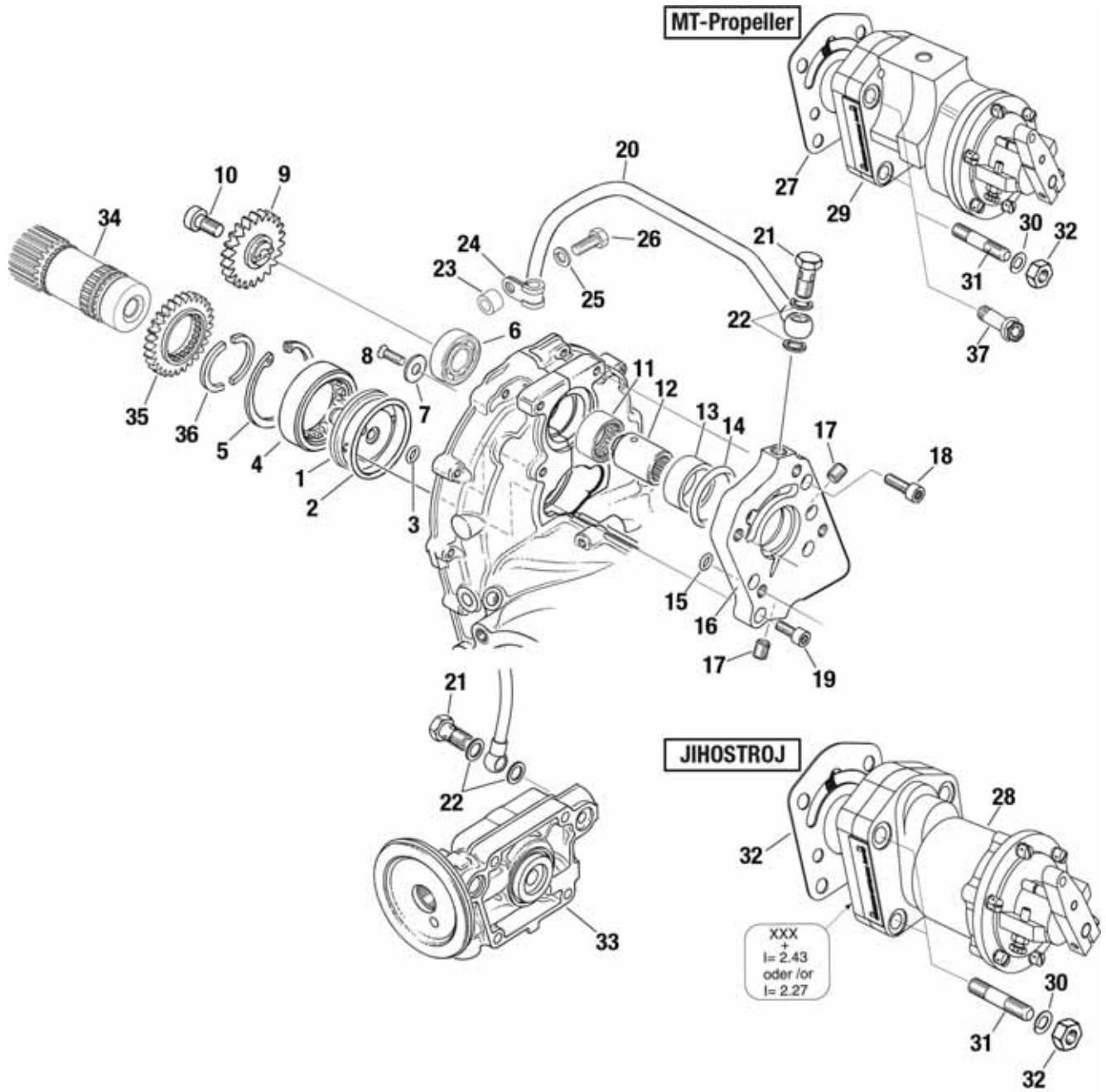


Fig. 61-20-00-1

09759

d06551.fm

BRP-Rotax

ILLUSTRATED PARTS CATALOG

Chapter) 61-20-00

HYDR. GOVERNOR ARRANGEMENT FOR CONSTANT SPEED PROPELLER (OPTIONAL)

FIG & ITEM NO.	STATUS	PART NO.	INDENT	Description	Parts per Engine						
					912 A	912 F	912 S	912 UL	912 ULS	914 F	914 UL
1 1		xxxxxx	.1	See chapt. 72-10-00	1	1	1	1	1	1	1
2		xxxxxx	.1	See chapt. 72-10-00	1	1	1	1	1	1	1
3		830415	.1	O-RING 7x2-N	1	1	1	1	1	1	1
4		xxxxxx	.1	See chapt. 72-10-00	1	1	1	1	1	1	1
5		xxxxxx	.1	See chapt. 72-10-00	1	1	1	1	1	1	1
6	N s.v.	832363 832362	.1	BALL BEARING 16002. 15-32-8	1	1	1	1	1	1	1
7		xxxxxx	.1	See Chapt. 72-20-00	1	1	1	1	1	1	1
8		xxxxxx	.1	See Chapt. 72-20-00	1	1	1	1	1	1	1
9		834245	.1	VACUUM PUMP GEAR 22 T	1	1	1	1	1	1	1
10	N s.v.	941522 941521	.1	ALLEN SCREW M8x16	1	1	1	1	1	1	1
11		232925	.1	NEEDLE SLEEVE 22x28x12	1	1	1	1	1	1	1
12		847773	.1	DRIVE SLEEVE, LONG	1	1	1	1	1	1	1
13		847802	.1	SPACER 25/31.95/13	1	1	1	1	1	1	1
14		950380	.1	O-RING 32x4-N FPM 75	1	1	1	1	1	1	1
15		830415	.1	O-RING 7x2-N FPM 75	1	1	1	1	1	1	1
16		810294	.1	GOVERNOR FLANGE	1	1	1	1	1	1	1
17		941611	.1	PLUG SCREW M8x1	2	2	2	2	2	2	2
18	N s.v.	241935 241930	.1	ALLEN SCREW M6x20	4	4	4	4	4	4	4
19	N s.v.	241237 241236	.1	ALLEN SCREW M6x16	2	2	2	2	2	2	2
20		956460	.1	PRESSURE OIL LINE ASSY.	1	1	1	1	1	1	1
21	s.v.	241073	.1	BANJO BOLT M10x1x19	2	2	2	2	2	2	2
21	N	940876	.1	BANJO BOLT M10x1x23	2c	2c	2c	2c	2c	2c	2c
22		230150	.1	SEALING RING A 10x14	4	4	4	4	4	4	4

- Items not illustrated

d06557fm

BRP-Rotax
ILLUSTRATED PARTS CATALOG

FIG & ITEM NO.	STATUS	PART NO.	INDENT	Description	Parts per Engine						
					912 A	912 F	912 S	912 UL	912 ULS	914 F	914 UL
23		847223	.1	DISTANCE SLEEVE 8.4/15/6	1	1	1	1	1	1	1
24		853418	.1	CABLE CLAMP	1	1	1	1	1	1	1
25	N s.v.	945832 945752	.1	LOCK WASHER A8	1	1	1	1	1	1	1
26	N s.v.	240277 240276	.1	HEX. SCREW M8x25	1	1	1	1	1	1	1
27		931372	..2	GASKET	1	1	1	1	1	1	1
28	n.a.		.1	GOVERNOR JIHOSTROJ	1	1	1	1	1	1	1
29	n.a.		.1	GOVERNOR MT-PROPELLER	1	1	1	1	1	1	1
30	N s.v.	945832 945752	.1	LOCK WASHER A8	4	4	4	4	4	4	4
31		840711	.1	STUD M8x21/20	4	4	4	4	4	4	4
32		942674	.1	HEX. NUT M8 (WS 11 mm)	4	4	4	4	4	4	4
33		xxxxxx	.1	See Chapt. 79-20-00	1	1	1	1	1	1	1
34		xxxxxx	.1	See Chapt. 72-10-00	1	1	1	1	1	1	1
35		xxxxxx	.1	See Chapt. 72-10-00	1	1	1	1	1	1	1
36		xxxxxx		See Chapt. 72-10-00	1	1	1	1	1	1	1
37		440867	.1	HEX./TORX-FLANGE SCREW M8x35-SW10/T40	4	4	4	4	4	4	4
-		881702	.1	PROP. SHAFT CONFIG. 3 RE- TROFIT KIT	a AR	a AR	a AR	a AR	a AR	a AR	a AR
-		881700	.1	GOVERNOR DRIVE RETROFIT KIT	b AR	b AR	b AR	b AR	b AR	b AR	b AR

- Items not illustrated

- a For retrofitting from version 2 to version 3.
- b For retrofitting, same as part no. 881702 but without propeller shaft.
- c Longer thread for more safety against pull out. Check if thread in oil pump housing is deep enough.

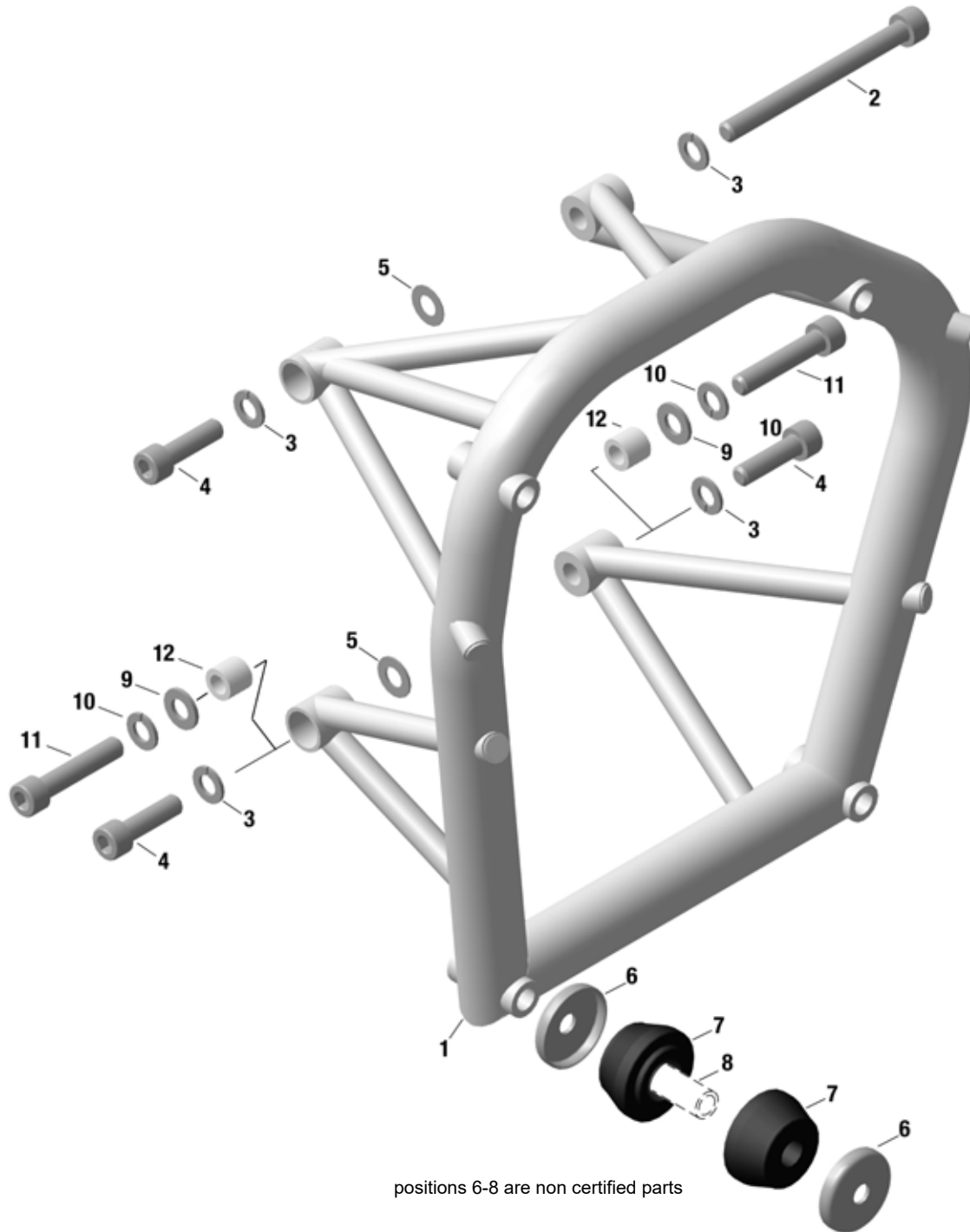
d06551.fm

BRP-Rotax
ILLUSTRATED PARTS CATALOG

INTENTIONALLY LEFT BLANK

d06552.fm

BRP-Rotax
ILLUSTRATED PARTS CATALOG



09753_a

Fig. 71-20-00-1

d06552.fm

BRP-Rotax
ILLUSTRATED PARTS CATALOG

Chapter) 71-20-00
ENGINE SUSPENSION FRAME

FIG & ITEM NO.	STATUS	PART NO.	INDENT	Description	Parts per Engine							
					912 A	912 F	912 S	912 UL	912 ULS	914 F	914 UL	
1 1	N	886563	.1	ENGINE SUSPENSION FRAME ASSY.	(1a)	(1a)	(1a)	(1a)	(1a)	(1a)	(1a)	(1a)
1	s.v.	886561	.1	ENGINE SUSPENSION FRAME ASSY.	(1a)	(1a)	(1a)	(1a)	(1a)	(1a)	(1a)	(1a)
2		941487	.1	ALLEN SCREW M10x110	(1)	(1)	(1)	(1)	(1)	1	1	
3	N s.v.	945833 945753	.1	LOCK WASHER A10	(4)	(4)	(4)	(4)	(4)	4	4	
4		840948	.1	ALLEN SCREW M10x35	(3)	(3)	(3)	(3)	(3)	1	1	
5		927952	.1	THRUST WASHER 10.1/20/0.5	(AR)	(AR)	(AR)	(AR)	(AR)	AR	AR	
5		927953	.1	THRUST WASHER 10.1/20/1.0	(AR)	(AR)	(AR)	(AR)	(AR)	AR	AR	
6-7		860695	.1	SHOCK MOUNT SET	(1)	(1)	(1)	(1)	(1)	(1)	(1)	
6		944240	..2	CUP WASHER	(8)	(8)	(8)	(8)	(8)	(8)	(8)	
7		860690	..2	SHOCK-MOUNT	(8)	(8)	(8)	(8)	(8)	(8)	(8)	
8	n.a.		.1	STRUT	4	4	4	4	4	4	4	
9		xxxxxx		See chapt. 78-10-00.							2	2
10		xxxxxx		See chapt. 78-10-00.							2	2
11		xxxxxx		See chapt. 78-10-00.							2	2
12		847841	.1	Spacer 10.5/17/15							2	2

- Items not illustrated

a See also Service Bulletin SB-912-028 / SB-914-016 current issue

d06552.fm

BRP-Rotax
ILLUSTRATED PARTS CATALOG

INTENTIONALLY LEFT BLANK

d06552.fm

BRP-Rotax
ILLUSTRATED PARTS CATALOG

INTENTIONALLY LEFT BLANK

d06597.fm

BRP-Rotax
ILLUSTRATED PARTS CATALOG

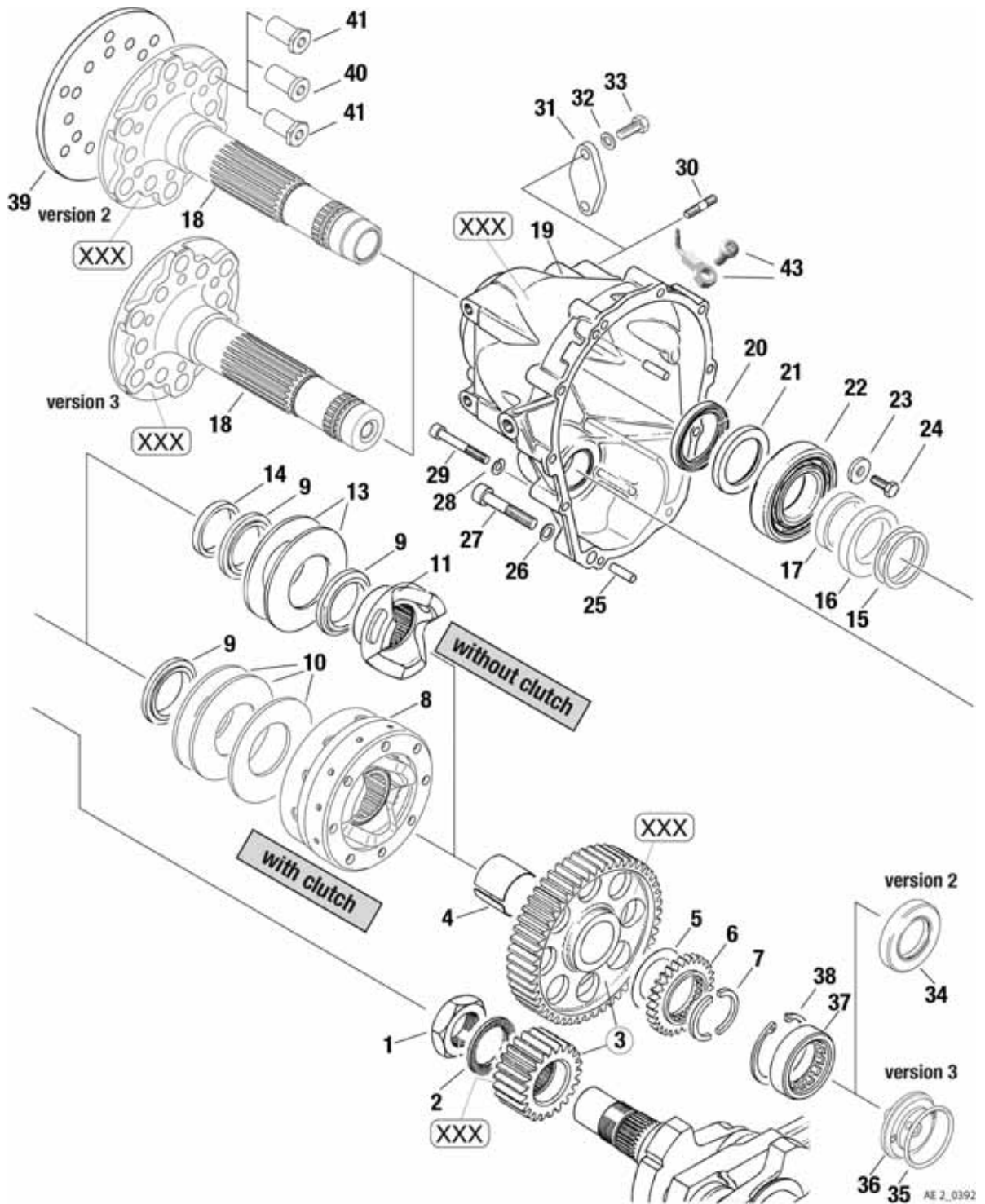


Fig. 72-10-00-1

BRP-Rotax
ILLUSTRATED PARTS CATALOG

Chapter) 72-10-00
PROPELLER GEAR ASSY.

FIG. & ITEM NO.	STATUS	PART NO.	Description	Parts per Engine						
				912 A	912 F	912 S	912 UL	912 ULS	914 F	914 UL
WITHOUT POS. 1,2,34-39			I = 2.27							
		887281	GEARBOX WITH CLUTCH 2.27-2	1Ap	1Ap		1Ap			
		887271	GEARBOX WITH CLUTCH 2.27-3	1Bp	1Bp		1Bp			
		887286	GEARBOX WITH CLUTCH 2.27-4	1Cp	1Cp		1Cp			
		996605	GEARBOX WITHOUT CLUTCH 2.27-2				1Ap			
	996609	GEARBOX WITHOUT CLUTCH 2.27-4				1Cp				
WITHOUT POS. 1,2,34-39			I = 2.43							
		887708	GEARBOX WITH CLUTCH 2.43-3	1p	1p	1Ep	1p	1Ep	1Ep	1Ep
		887703	GEARBOX WITH CLUTCH 2.43-2	1p	1p	1Dp	1p	1Dp	1Dp	1Dp
		887713	GEARBOX WITH CLUTCH 2.43-4	1p	1p	1Fp	1p	1Fp	1Fp	1Fp
		888560	GEARBOX WITHOUT CLUTCH 2.43-2				1Dp	1Dp		1Dp
	888565	GEARBOX WITHOUT CLUTCH 2.43-4				1Fp	1Fp		1Fp	

- Items not illustrated

d06597.fm

BRP-Rotax
ILLUSTRATED PARTS CATALOG

FIG. & ITEM NO.	STATUS	PART NO.	Description	Parts per Engine						
				912 A	912 F	912 S	912 UL	912 ULS	914 F	914 UL
I = 2.43										
	n.a.	887701	GEARBOX WITH CLUTCH 2.43-2	(1)Aop	(1)Aop		(1)Aop		1Ao	1Aop
		887703	GEARBOX WITH CLUTCH 2.43-2	(1)Gp	(1)Gp		(1)Gp		1G	1Gp
	n.a.	887706	GEARBOX WITH CLUTCH 2.43-3	(1)Bop	(1)Bop		(1)Bop		1Bo	1Bop
		887708	GEARBOX WITH CLUTCH 2.43-3	(1)Hp	(1)Hp		(1)Hp		1H	1Hp
	n.a.	887711	GEARBOX WITH CLUTCH 2.43-4	(1)Cop	(1)Cop		(1)Cop		1Co	1Cop
		887713	GEARBOX WITH CLUTCH 2.43-4	(1)lp	(1)lp		(1)lp		1l	1lp
	n.a.	887680	GEARBOX WITHOUT CLUTCH 2.43-2				1Aop			1Aop
		888560	GEARBOX WITHOUT CLUTCH 2.43-2				1Jp			1Jp
	n.a.	887685	GEARBOX WITHOUT CLUTCH 2.43-4				1Cop			1Cop
		888565	GEARBOX WITHOUT CLUTCH 2.43-4				1Kp			1Kp

- Items not illustrated

FIG & ITEM NO.	STATUS	PART NO.	INDENT	Description	Parts per Engine						
					912 A	912 F	912 S	912 UL	912 ULS	914 F	914 UL
1, 2	1	842579	.1	HEX. NUT M30x1.5 12MM, LH	1	1	1	1	1	1	1
	2	N	.1	FRICTION WASHER VS30	1	1	1	1	1	1	1
	2	s.v.	.1	FRICTION WASHER VS30	1	1	1	1	1	1	1
	3		.1	GEAR SET I 2.27 narrow	1a	1a		1a			
	3		.1	GEAR SET I 2.43 wide, 7°	1b	1b	1b	1b	1b	1b	1b
	4		.1	BUSHING 31x33x29.8	1	1	1	1	1	1	1
	5		.1	THRUST WASHER 33.2/51/1.2	1	1	1	1	1	1	1
	6		.1	DRIVE GEAR 29 T.	1	1	1	1	1	1	1

d06597.fm

BRP-Rotax

ILLUSTRATED PARTS CATALOG

FIG & ITEM NO.	STATUS	PART NO.	INDENT	Description	Parts per Engine							
					912 A	912 F	912 S	912 UL	912 ULS	914 F	914 UL	
7-10		996888	.1	CLUTCH ASSY. RETROFIT KIT narrow				1f				1f
7-10		996889	.1	CLUTCH ASSY. RETROFIT KIT wide, 7°					1g			1gb
7		926035	..2	RING HALF	2	2	2	2	2	2	2	2
8		996910	..2	OVERLOAD CLUTCH ASSY. wide, 7°	1gm	1gm	1gm	1gm	(1)g m	1g m		(1)g m
9	N s.v.	847787 847786	..2	STEP COLLAR	1p	1p	1p	1p	1p	1p	1p	1p
10		838216	..2	DISK SPRING B80, 80x41x3	3	3	3	3	3	3	3	3
11	N s.v.	958896 958891	.1	DOG HUB narrow				1fl				1fl
11	N s.v.	958898 958893	.1	DOG HUB wide, 7°				1gl	1gl			1gl
12	n.a.	-	-	-	-	-	-	-	-	-	-	-
13		838216	.1	DISK SPRING B80, 80x41x3	2	2	2	2	2	2	2	2
14		847689	.1	SPACER 35.2/42/6				1	1			1
15		927401	.1	SHIM 35.4/43/0.2	AR	AR	AR	AR	AR	AR	AR	AR
15		927402	.1	SHIM 35.4/43/0.5	AR	AR	AR	AR	AR	AR	AR	AR
15		927403	.1	SHIM 35.4/43/1.0	AR	AR	AR	AR	AR	AR	AR	AR
16		848225	.1	ECCENTER	1	1	1	1	1	1	1	1
17		847687	.1	SPACER 35.2/42/8	1	1	1	1	1	1	1	1
18	N n.a.	937041 937035	.1	PROPELLER SHAFT VERSION 3	1d	1d	1d	1d	1d	1d	1d	1d
18	N s.v.	937047 937036	.1	PROPELLER SHAFT VERSION 2	1c	1c	1c	1c	1c	1c	1c	1c
19, 43	N n.a. n.a.	610363 811956 811957	.1	GEAR COVER ASSY.	1r	1r	1r	1r	1r	1r	1r	1r
20		950470	.1	OIL SEAL AS 40x55x7	1	1	1	1	1	1	1	1
21		926022	.1	SPACER RING 36/50/5.5	1	1	1	1	1	1	1	1

d06597.fm

BRP-Rotax
ILLUSTRATED PARTS CATALOG

FIG & ITEM NO.	STATUS	PART NO.	INDENT	Description	Parts per Engine						
					912 A	912 F	912 S	912 UL	912 ULS	914 F	914 UL
22	N s.v.	832587 832578	.1	BALL BEARING 6207E TN6, 35-72-17	1	1	1	1	1	1	1
23		944320	.1	WASHER 7.2/18.8/3	4	4	4	4	4	4	4
24		941760	.1	HEX. SCREW M7x16	4	4	4	4	4	4	4
25		429230	.1	DOWEL 6x20	2	2	2	2	2	2	2
26	s.v.	944131	.1	WASHER 8	2q	2q	2q	2q	2q	2q	2q
27	s.v.	841562	.1	ALLEN SCREW M8x45	2q	2q	2q	2q	2q	2q	2q
27	n.a.	841561	.1	ALLEN SCREW M8x45	2q	2q	2q	2q	2q	2q	2q
27	N	940077	.1	HEX./TORX SCREW M8x45	2	2	2	2	2	2	2
28	N	827962	.1	WASHER A6.4	8	8	8	8	8	8	8
28	s.v.	945751	.1	LOCK WASHER A6	8	8	8	8	8	8	8
29	N s.v.	241823 241821	.1	ALLEN SCREW M6x45	8	8	8	8	8	8	8
30	N s.v.	940369 940361	.1	STUD M8x23/20	2	2	2	2	2		
31		926151	.1	COVER						1	1
32	N s.v.	945832 945752	.1	LOCK WASHER A8	2	2	2	2	2	2	2
33	N s.v.	940592 940591	.1	HEX. SCREW M8x20						2k	2k
34		950200	.1	OIL SEAL 30x52x7	1	1	1	1	1	1	1
35		430175	.1	O-RING 46x3	1	1	1	1	1	1	1
36		810301	.1	OIL INLET FLANGE	1	1	1	1	1	1	1
37	N s.v.	232246 232241	.1	ROLLER BEARING NJ 205 ECP C3	1	1	1	1	1	1	1
38		945820	.1	RETAINING RING 52x2	1	1	1	1	1	1	1
39		827837	.1	COVER DISK	AR	AR	AR	AR	AR	AR	AR
40		842634	.1	ROUND-NECK NUT SET M8	1i	1i	1i	1i	1i	1i	1i
41	n.a.	842638	.1	ROUND-NECK NUT SET 5/16- 24 UNF	1i	1i	1i	1i	1i	1i	1i

d06597.fm

BRP-Rotax

ILLUSTRATED PARTS CATALOG

FIG & ITEM NO.	STATUS	PART NO.	INDENT	Description	Parts per Engine						
					912 A	912 F	912 S	912 UL	912 ULS	914 F	914 UL
41	n.a.	842639	.1	ROUND-NECK NUT SET 5/16-20 UNC (COARSE THREADS)	1i	1i	1i	1i	1i	1i	1i
42		244980	.1	SEALING COVER	1	1	1	1	1	1	1
43		456520	.1	OIL SPRAY NOZZLE ASSY.	1p	1p	1p	1p	1p	1p	1p

A For version 2 with narrow dog gear (22 mm / 0.87 in.)

B For version 3 with narrow dog gear (22 mm / 0.87 in.)

C n.a. - For version 4 with narrow dog gear (22 mm / 0.87 in.)

D For version 2 with wide dog gear (27 mm / 1.06 in.); For 914 use only from following engine S/N:

914 F: 4420164

914 UL: 4417791

E For version 3 with wide dog gear (27 mm / 1.06 in.); For 914 use only from following engine S/N:

914 F: 4420164

914 UL: 4417791

F For version 4 with wide dog gear (27 mm / 1.06 in.); For 914 use only from following engine S/N:

914 F: 4420164

914 UL: 4417791

G Replacement for 887701 with wide dog gear

H Replacement for 887706 with wide dog gear

I Replacement for 887711 with wide dog gear

J Replacement for 887680 with wide dog gear

K Replacement for 888565 with wide dog gear

a Drive gear 22 T. and reduction gear 50 T. are paired and must be replaced together and marked with S/N. See SL-912-002 resp. SL-914-002.

b Drive gear 21 T. and reduction gear 51 T. are paired and must be replaced together and marked with S/N. With wide dog gear (27 mm / 1.06 in.); See SL-912-002 resp. SL-914-002; For 914 use only from following engine S/N:

912 S: starting with serial production

912 ULS: starting with serial production

914 F: 4420164

914 UL: 4417791

c For model 2 marked with S/N

d For model 3 marked with S/N

e n.a. - For model 4 marked with S/N

f For gear sets part no. 886125 and 886517; (narrow versions)

g For gear set part no. 886518; (wide version)

d06597.fm

BRP-Rotax

ILLUSTRATED PARTS CATALOG

h Drive gear 21 T. and reduction gear 51 T. are paired and must be replaced together and marked with S/N. With thin dog gear (22 mm / 0.87 in.); See SL-912-002 resp. SL-014-002; For 914 use only up to S/N:

914 F: 4420163

914 UL: 4417790

i Do not use at version with auxiliary alternator; only available as a set (includes 6 pieces).

j Only when a governor is used;

k Version without governor: 2x940.591; with governor: see chapt. 61-20-00

l Dog hub with extended hub

m With additional bores to drain lead

n -

o See SL-912-002 current issue

p Gearbox with oil spray nozzle.
Starting with Gearbox SN 74000.

q Replaced by hex. torx screw part no. 940077.

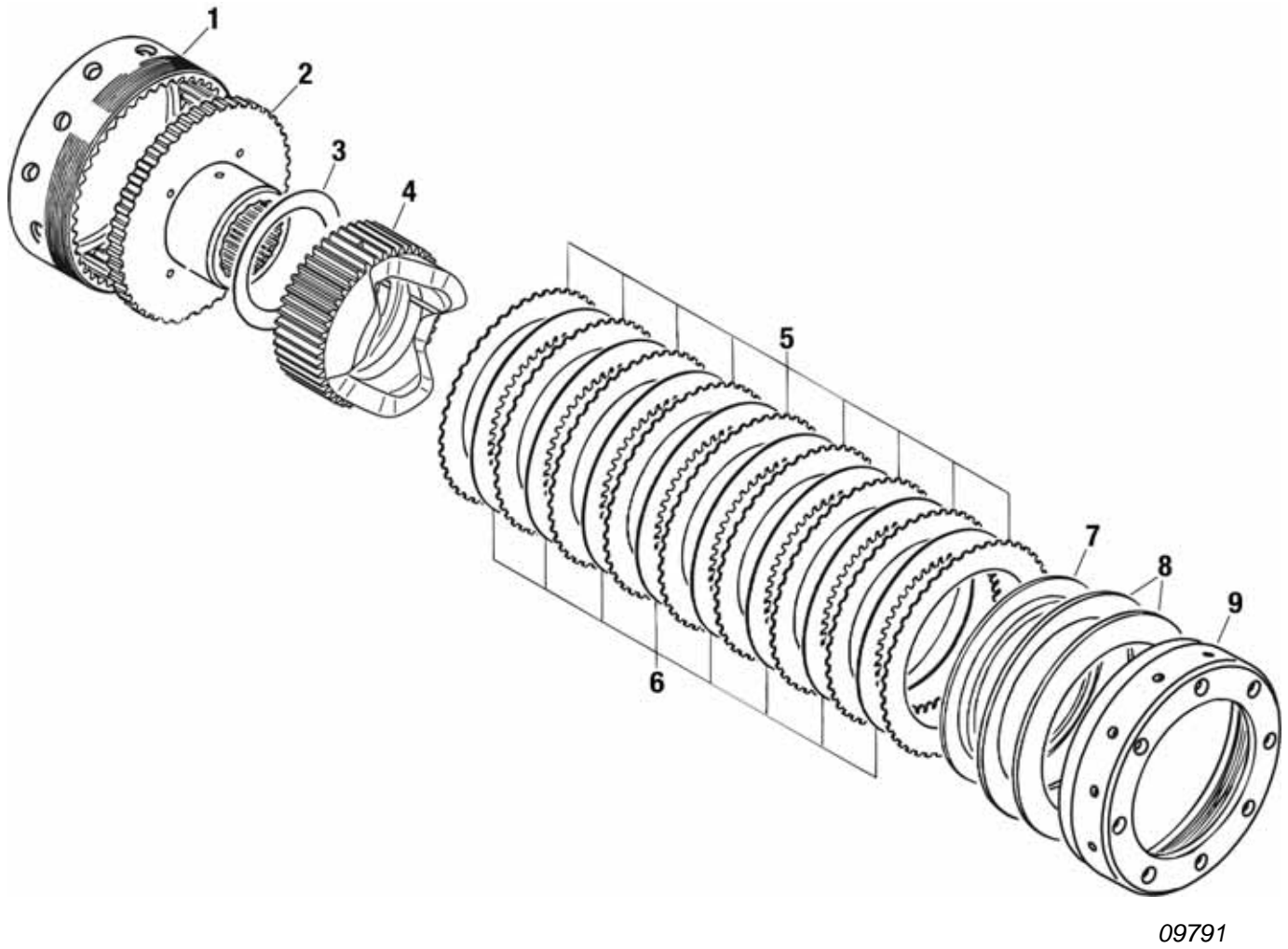
r With oil spray nozzle mounted

BRP-Rotax
ILLUSTRATED PARTS CATALOG

INTENTIONALLY LEFT BLANK

d06597.fm

BRP-Rotax
ILLUSTRATED PARTS CATALOG



09791

Fig. 72-10-00-2

BRP-Rotax

ILLUSTRATED PARTS CATALOG

Chapter) 72-10-00 OVERLOAD CLUTCH

FIG. & ITEM NO.	STATUS	PART NO.	INDENT	Description	Parts per Engine						
					912 A	912 F	912 S	912 UL	912 ULS	914 F	914 UL
3 1-9		xxxxxx	.1	OVERLOAD CLUTCH ASSY. narrow ,see chapt. 72-10-00 page 6	1	1		1		1	1
1-9		xxxxxx	.1	OVERLOAD CLUTCH ASSY. wide, 7° ,see chapt. 72-10-00 page 6	1	1	1	1	1	1	1
1		958912	..2	CLUTCH DRUM	1c	1c	1c	1c	1c	1c	1c
2		958905	..2	CLUTCH HUB	1	1	1	1	1	1	1
3		944080	..2	THRUST WASHER 45.2/60/1	1	1	1	1	1	1	1
4		958920		DOG HUB narrow	1a	1a		1a		1a	1a
4	n.a.	958927 958924	..2	DOG HUB wide, 7°	(1d)	(1d)	1b	(1d)	1b	1b	1b
5	N s.v.	958932 958931	..2	STEEL FRICTION PLATE 1.0 MM	9	9	9	9	9	9	9
6	N s.v.	958945 958944	..2	SINTER FRICTION PLATE 1.8 MM	8	8	8	8	8	8	8
7		958951	..2	SUPPORT RING	1	1	1	1	1	1	1
8		838161	..2	DISK SPRING 100X76X2.7	2	2	2	2	2	2	2
9	N s.v.	842644 842643	..2	COLLAR NUT M102X1.5	1ce	1ce	1ce	1ce	1ce	1ce	1ce

- Items not illustrated

- a For gear sets part no. 886125, 886517; thin dog gear (22 mm / 0.87 in.)
- b For gear set part no. 886518; wide dog gear (27 mm / 1.06 in.)
- c With additional bores to drain lead
- d Option for 912 A,F, UL fitted with 2,43 gear set
- e Improved centering of disc springs.

d06597.fm

BRP-Rotax
ILLUSTRATED PARTS CATALOG

INTENTIONALLY LEFT BLANK

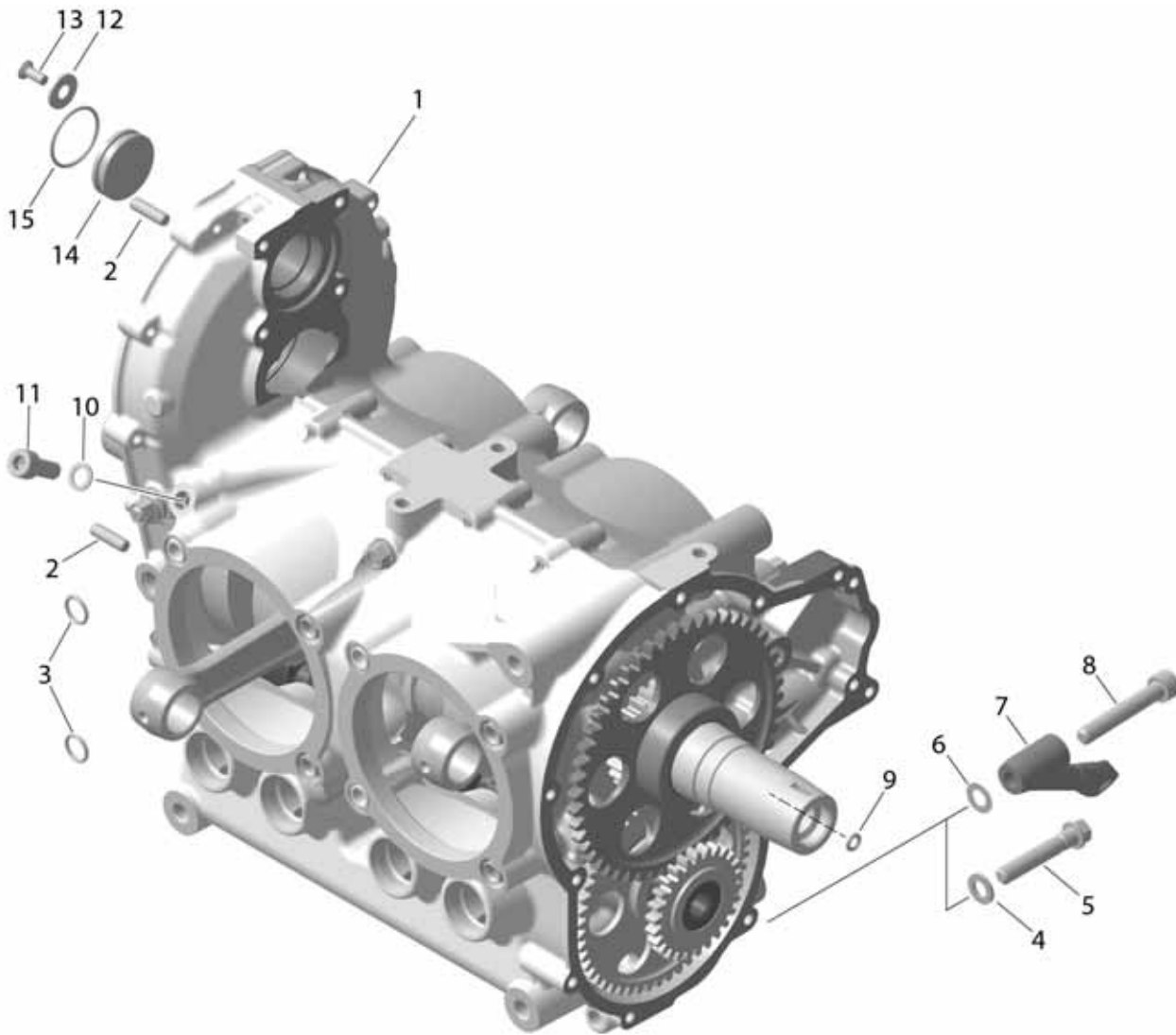
d06597.fm

BRP-Rotax
ILLUSTRATED PARTS CATALOG

INTENTIONALLY LEFT BLANK

d06598.fm

BRP-Rotax
ILLUSTRATED PARTS CATALOG



AE 2_0409

Fig. 72-20-00-1

BRP-Rotax
ILLUSTRATED PARTS CATALOG

Chapter) 72-20-00
CRANKCASE

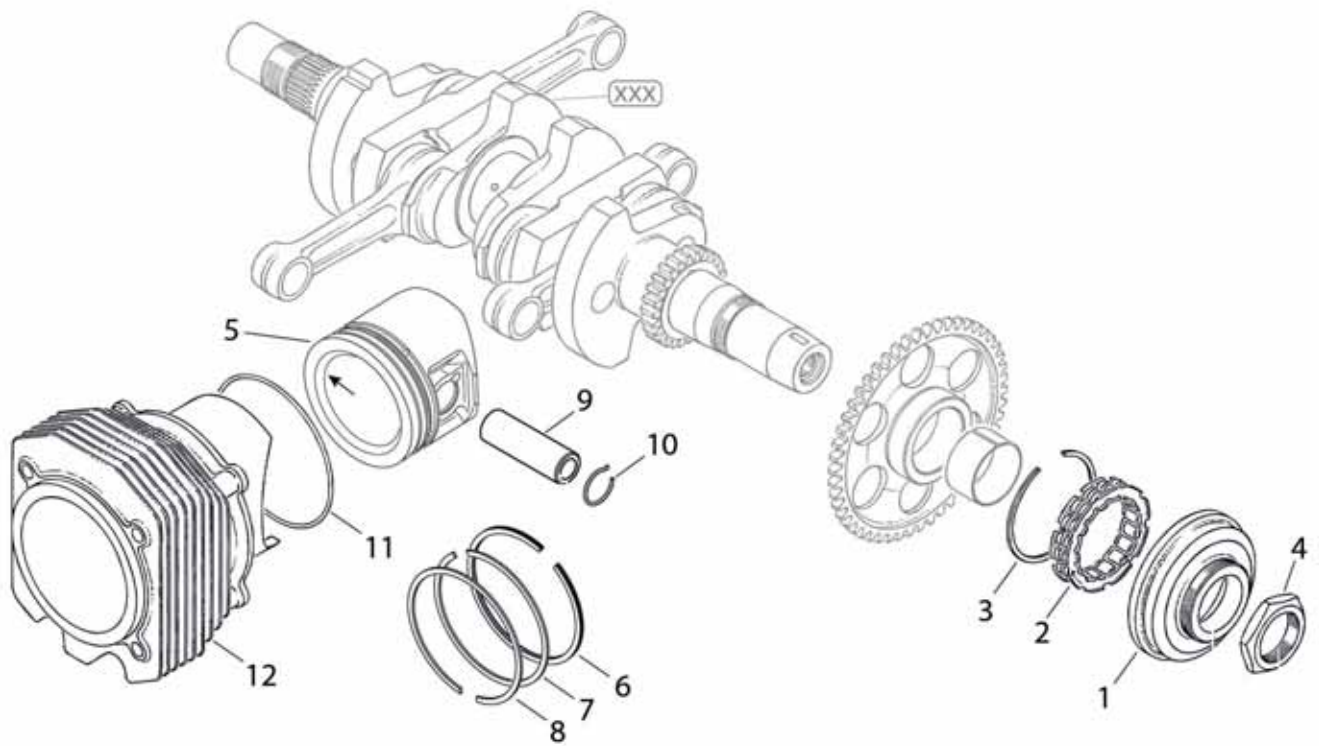
FIG. & ITEM NO.	STATUS	PART NO.	INDENT	Description	Parts per Engine							
					912 A	912 F	912 S	912 UL	912 ULS	914 F	914 UL	
1 1		300091202	.1	ENGINE BLOCK			1b		1b			
1		300091401	.1	ENGINE BLOCK	1b	1b		1b		1b	1b	
2		429230	.1	DOWEL 6x20	2	2	2	2	2	2	2	2
3		431570	.1	O-RING 10.82x1.78-N, FPM 70	8	8	8	8	8	8	8	8
4		944131	.1	WASHER 8	4b	4b	4b	4b	4b			
5	N s.v.	940072 940071	.1	HEX.COLLAR SCREW M8x45-A/F10	2	2	2	2	2			
6		926400	.1	WASHER 8.4/15/0.5						AR	AR	
6		926401	.1	WASHER 8.4/15/1								
6		926402	.1	WASHER 8.4/15/1.5						AR	AR	
7		xxxxxx	.1	See Chapt. 78-00-00 Fig. 3						1	1	
8		440107	..2	ALLEN SCREW M8x50						1b	1b	
9		831929	.1	O-RING 5x2	1	1	1	1	1	1	1	1
10		950141	.1	SEALING RING A 8x13	1	1	1	1	1	1	1	1
11	N n.a.	240072 240071	..2	ALLEN SCREW M8x20	1	1	1	1	1	1	1	1
12		227280	..2	THRUST WASHER	1	1	1	1	1	1	1	1
13	N s.v.	940316 940315	..2	COUNTERSUNK SCREW M5x12	1	1	1	1	1	1	1	1
14		944222	..2	BLINDING SHIM	1a	1a	1a	1a	1a	1a	1a	1a
15		430061	..2	O-RING 26.7x1.8	1a	1a	1a	1a	1a	1a	1a	1a

- Items not illustrated

- a Only for model 2
b See Overhaul Manual of the respective engine type, current issue.

d06598.fm

BRP-Rotax
ILLUSTRATED PARTS CATALOG



AE 2_0405

Fig. 72-20-00-2

BRP-Rotax

ILLUSTRATED PARTS CATALOG

Chapter) 72-20-00

CRANKSHAFT, PISTON, CYLINDER, SPRAG CLUTCH

FIG. & ITEM NO.	STATUS	PART NO.	INDENT	Description	Parts per Engine						
					912 A	912 F	912 S	912 UL	912 ULS	914 F	914 UL
2 1		852406	.1	SPRAG CLUTCH HOUSING	1h	1h	1h	1h	1h	1h	1h
2		958856	.1	SPRAG CLUTCH 51.70x68.377x13	1	1	1	1	1	1	1
3		845425	.1	CIRCLIP 70	1	1	1	1	1	1	1
4		842574	.1	HEX. NUT M34x1.5 LH	1	1	1	1	1	1	1
5-8		996542	.1	PISTON ASSY. 79.50/79.51 MM	4a	4a		4a		4a	4a
5-8		888382	.1	PISTON ASSY. 84/84.01 MM			4b		4b		
6		215400	..2	OIL SCRAPER RING 79.5 MM	4	4		4		4	4
6		815230	..2	OIL SCRAPER RING 84 MM			4f		4f		
7		215420	..2	TAPERED COMPRESSION RING 79.5 MM	4	4		4		4	4
7		815280	..2	TAPERED COMPRESSION RING 84			4e		4e		
8		215590	..2	RECTANGULAR RING 79.5/ 72.9x1.5	4	4		4		4	4
8		815251	..2	RECTANGULAR RING 84/77x1.5			4e		4e		
9		916356	.1	PISTON PIN 20x12x55.3	4f	4f	4f	4f	4f	4f	4f
10		845106	.1	MONOHOOK CIRCLIP 20	8	8	8	8	8	8	8
11		250510	.1	O-RING 87x2	4	4	4	4	4	4	4
12		913222	.1	CYLINDER	4c	4c		4c		4c	4c
12		913226	.1	CYLINDER			4d		4d		
16		881540	.1	PISTON SET	1g	1g		1g		1g	1g
17		881542	.1	PISTON SET			1g		1g		

- Items not illustrated

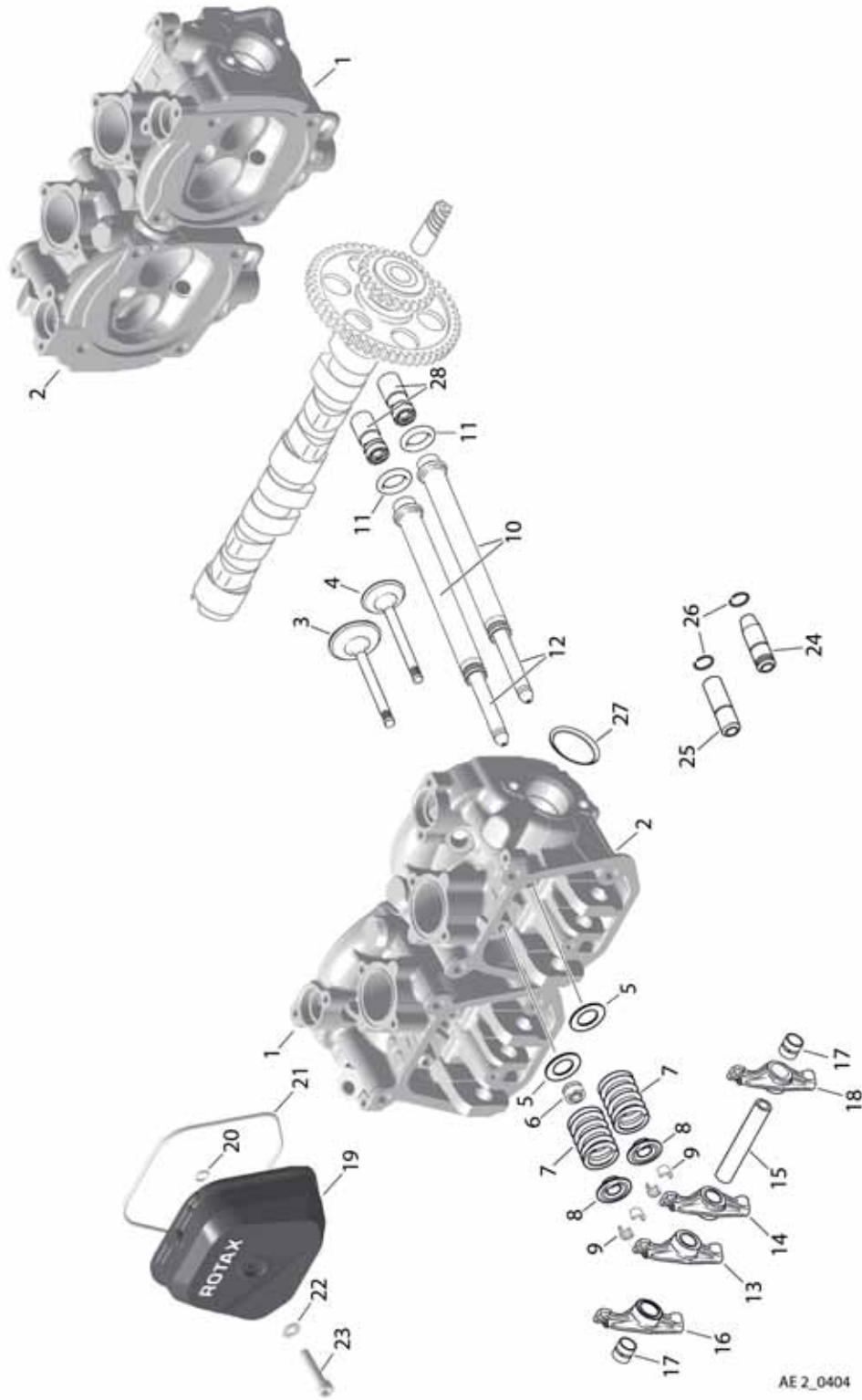
d06598.fm

BRP-Rotax

ILLUSTRATED PARTS CATALOG

- a red 79.50 mm, green 79.51 mm
- b red 84 mm, green 84.01 mm
- c **A** 79.50 - 79.512, **B** 79.513 - 79.524
- d **A** 84.00 - 84.012, **B** 84.012 - 84.024
- e at 912 ULS the complete piston with rings has to be exchanged up to S/N 4425123
- f following Service Letter has to be noticed
SL-912-002 current issue
SL-914-002 current issue
- g Balanced piston set: max. difference 3 g
- h with drain holes

BRP-Rotax
ILLUSTRATED PARTS CATALOG



AE 2_0404

Fig. 72-20-00-3

d06598.fm

BRP-Rotax

ILLUSTRATED PARTS CATALOG

Chapter) 72-20-00 CYLINDERHEAD, VALVE TRAIN, VALVE COVER

FIG. & ITEM NO.	STATUS	PART NO.	INDENT	Description	Parts per Engine						
					912 A	912 F	912 S	912 UL	912 ULS	914 F	914 UL
3 1		413236	.1	CYLINDER HEAD 2/3 ASSY.	2ao	2ao		2ao		2ao	2ao
1		413185	.1	CYLINDER HEAD 2/3 ASSY.			2ao		2ao		
2		413195	.1	CYLINDER HEAD 1/4 ASSY.			2b		2b		
2		413246	.1	CYLINDER HEAD 1/4 ASSY.	2b	2b		2b		2b	2b
3		854101	.1	INTAKE VALVE 38 MM	4	4	4	4	4	4	4
4		854113	.1	EXHAUST VALVE 32 MM						4p	4p
4		854111	.1	EXHAUST VALVE 32 MM	4	4	4	4	4	4	4
5		926210	.1	SHIM 16/27.9/1	8	8	8	8	8	8	8
6		230810	.1	VALVE STEM SEAL	4	4	4	4	4	4	4
7		838156	.1	VALVE SPRING	8	8	8	8	8	8	8
8		854186	.1	VALVE SPRING RETAI- NER	8	8	8	8	8	8	8
9	n.a.	253092 253090	.1	VALVE COTTER	16	16	16	16	16	16	16
10		924440	.1	OIL RETURN TUBE	8	8	8	8	8	8	8
11		850930	.1	O-RING 16x5	8	8	8	8	8	8	8
12		854862	.1	VALVE PUSH-ROD AS- SY.	8	8	8	8	8	8	8
13	n.a.		.1	ROCKER ARM LEFT ASSY.	4e	4e	4e	4e	4e	4e	4e
14	n.a.		.1	ROCKER ARM RIGHT ASSY.	4e	4e	4e	4e	4e	4e	4e
15		854193	.1	ROCKER ARM SHAFT	4	4	4	4	4	4	4

- Items not illustrated

d06598.fm

BRP-Rotax

ILLUSTRATED PARTS CATALOG

FIG. & ITEM NO.	STATUS	PART NO.	INDENT	Description	Parts per Engine						
					912 A	912 F	912 S	912 UL	912 ULS	914 F	914 UL
16		854383	.1	ROCKER ARM LEFT ASSY.	4	4	4	4	4	4	4
17		933396	.1	VESPEL BUSHING VESPEL	8	8	8	8	8	8	8
18		854393	.1	ROCKER ARM RIGHT ASSY.	4	4	4	4	4	4	4
19		612263	.1	VALVE COVER BLACK	4	4		4			
19		612262	.1	VALVE COVER RED						4	4
19		612260	.1	VALVE COVER GRUEN			4		4		
19	s.v.	612180	.1	VALVE COVER BLAU			4		4		
20-21		881920	.1	O-RING SET	1	1	1	1	1	1	1
20		430205	..2	O-RING 6.4x1.8	4	4	4	4	4	4	4
21		250285	..2	O-RING 105x2.5	4	4	4	4	4	4	4
22		927941	.1	WASHER 6.0/12/1	4	4	4	4	4	4	4
23		840887	.1	ALLEN SCREW M6x30	4	4	4	4	4	4	4
24		253114	.1	INLET VALVE GUIDE	4h	4h	4h	4h	4h	4h	4h
25		854224	.1	INLET VALVE GUIDE	4i	4i	4i	4i	4i	4i	4i
26		245440	.1	RETAINING RING	8j	8j	8j	8j	8j	8j	8j
27		931920	.1	GASKET RING	ARk	ARk	ARk	ARk	ARk	ARk	ARk
28		881832	.1	HYDRAULIC VALVE TAPPET SET	1n	1n	1n	1n	1n	1n	1n
		854097	..2		8	8	8	8	8	8	8

- Items not illustrated

d06598.fm

BRP-Rotax

ILLUSTRATED PARTS CATALOG

- a for cylinder 2 and 3
- b for cylinder 1 and 4
- c Up to engine S/N
912 A: 4410203
912 F: 4412756
912 UL: 4401879
914 F: 4420038
914 UL: 4417597

Single valve springs and double valve springs if required are allowed to be mounted in one engine.

- d -
- e -
- f -
- g -
- h for inlet valve, chafe up to new measurement
- i for outlet valve, chafe up to new measurement
- j

NOTICE

Use only once!

- k for rework of exhaust port
See Overhaul Manual of the respective engine type, current issue.
- l Marked with S/N
- m Without worm gear
- n pre-filled, 8 parts per set
- o Cylinder heads where the coolant temperature is measured.
- p see SI-914-30

BRP-Rotax
ILLUSTRATED PARTS CATALOG

INTENTIONALLY LEFT BLANK

d06555.fm

BRP-Rotax
ILLUSTRATED PARTS CATALOG

Chapter) 73-00-00

BING CONSTANT SPEED DEPRESSION CARBURETOR - SINGLE PARTS

Config.	STATUS	PART NO.	INDENT	Description	Parts per Engine						
					912 A	912 F	912 S	912 UL	912 ULS	914 F	914 UL
Airfilter		892500	.1	CONSTANT DEPRESSION CARB. ASSY 1/3	1	1		1			
		892505	.1	CONSTANT DEPRESSION CARB. ASSY 2/4	1	1		1			
Airbox		892500	.1	CONSTANT DEPRESSION CARB. ASSY 1/3	(1)a	(1)a		(1)a			
		892505	.1	CONSTANT DEPRESSION CARB. ASSY 2/4	(1)a	(1)a		(1)a			
Airbox or Airfilter		892530	.1	CONSTANT DEPRESSION CARB. ASSY 1/3			1		1		
		892535	.1	CONSTANT DEPRESSION CARB. ASSY 2/4			1		1		
Airbox	n.a.	887093	.1	CONSTANT DEPRESSION CARB. ASSY 1/3						1b	1b
	n.a.	887098	.1	CONSTANT DEPRESSION CARB. ASSY 2/4						1c	1c
		892520	.1	CONSTANT DEPRESSION CARB. ASSY 1/3						1b	1b
		892525	.1	CONSTANT DEPRESSION CARB. ASSY 2/4						1c	1c

- Items not illustrated

d06555.fm

BRP-Rotax

ILLUSTRATED PARTS CATALOG

	912 UL/A/F		912 ULS/ULSFR/S		914 UL/F			
Version	59.6 kW (81 hp)		73.5 kW (100 hp)		84.5 kW (115 hp)			
Location	Carburetor part no. 1/3		Carburetor part no. 1/3		Carburetor part no. 1/3			
	2/4		2/4		2/4			
Airbox part no. 667355 BING no. Main jet Needle position	892500 64/32/416A-02 HD 158 ¹¹⁾ NP 3	892505 64/32/417A-02 HD 158 ¹¹⁾ NP 3	892530 ⁴⁾ 64/32/421A-02 HD 155 NP 3	892535 ⁵⁾ 64/32/422A-02 HD 155 NP 3				
Air filter	892500 ²⁾ 64/32/416A-02 HD 158 NP 3	892505 ³⁾ 64/32/417A-02 HD 158 NP 3						
BING no. Main jet Needle position								
Airbox part no. 867753 BING no. Main jet Needle position								
Airbox part no. 667162 BING no. Main jet Needle position								
Airbox part no. 667167 BING no. Main jet Needle position								
Airbox part no. 667574 BING no. Main jet Needle position								
Diffusor	ND 2.72 961200		ND 2.70 961202				ND 2.72 961200	
Jet needle	961200		961215				961200	
Idle jet			LD 35					
Cold start jet			SD 85 ¹⁾					
Float needle			261706					
Idle mixture screw			LS 1.5					

09481

Fig. 73-00-00-1

d06555.fm

BRP-Rotax

ILLUSTRATED PARTS CATALOG

- a For airbox
See SB-912-044
- b 64/32/398F/06, for cylinder 1/3;
See SI-914-015 current issue
- c 64/32/399F/06, for cylinder 2/4 incl. throttle potentiometer - see chapter 73-00-00/Fig. 3;
See SI-914-015 current issue
- 1 See Service Instruction SI-03-1998
- 2 Replace part no. 887262 (64/32/394F/04) / 887264 (64/32/394/08) / 888802 (64/32/416/01) / 888803 (64/32/416A/00)
- 3 Replace part no. 887267 (64/32/395F/04) / 887269 (64/32/395/08) / 888807 (64/32/417/01) / 888808 (64/32/417A/00)
- 4 Replace part no. 888370 (64/32/409F/01) / 888372 (64/32/412/00) / 888373 (64/32/421/01) / 888374 (64/32/421A/00)
- 5 Replace part no. 888375 (64/32/410F701) / 888377 (64/32/411/00) / 888378 (64/32/422/01) / 888379 (64/32/422A700)
- 6 Replace part no. 887092 (64/32/398F-06)
- 7 Replace part no. 887097 (64/32/399F-07)
- 8 Replace part no. 887094 (64/32/418A-00)
- 9 Replace part no. 887099 (64/32/419A-00)
- 10 Depends on airbox version;
See SI-914-013 and SI-914-015 current issue
- 11 Depends on airbox version;
See SB-914-044 current issue

d06555.fm

BRP-Rotax
ILLUSTRATED PARTS CATALOG

INTENTIONALLY LEFT BLANK

d06555.fm

BRP-Rotax

ILLUSTRATED PARTS CATALOG

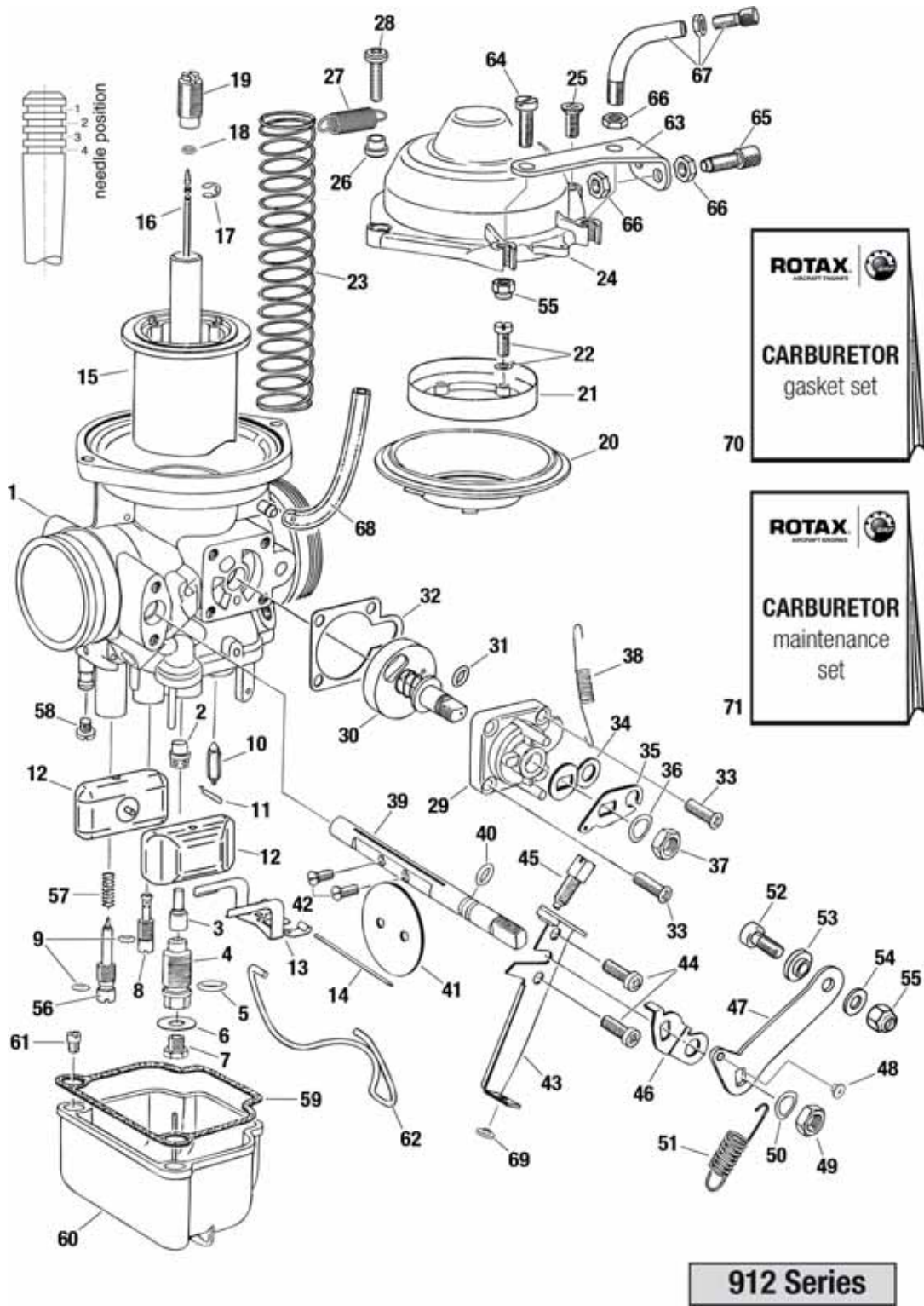


Fig. 73-00-00-2

BRP-Rotax

ILLUSTRATED PARTS CATALOG

Chapter) 73-00-00

CARBURETOR - SINGLE PARTS 912 SERIES

FIG. & ITEM NO.	STATUS	PART NO.	INDENT	Description	Parts per carburetor						
					912 A	912 F	912 S	912 UL	912 ULS	914 F	914 UL
2 1		-	.1	CARBURETOR HOUSING	1c	1c	1c	1c	1c		
2		961200	.1	DIFFUSER	1	1		1			
2		961202	.1	DIFFUSER			1		1		
3		261607	.1	NEEDLE JET 2.72	1	1		1			
3		261608	.1	NEEDLE JET 2.70			1		1		
4		963130	.1	MIXING TUBE	1	1	1	1	1		
5		430800	.1	O-RING 8x2	1	1	1	1	1		
6		827160	.1	SHIM	1	1	1	1	1		
7		268985	.1	MAIN JET 160			1i		1i		
7		268984	.1	MAIN JET 155	(1)f	(1)f	1	(1)f	1		
7		268996	.1	MAIN JET 158	1	1		1			
8		963141	.1	IDLE JET 30	1	1	1	1	1		
8		963143	.1	IDLE JET 35	1	1	1	1	1		
9		831713	.1	O-RING 3.2x1.8	2g	2g	2g	2g	2g		
10		261708	.1	FLOAT NEEDLE VALVE W. VI-TON TIP	1g	1g	1g	1g	1g		
11		261710	.1	FLOAT NEEDLE CLIP	1	1	1	1	1		
12	N n.a.	861189 861188	.1	FLOATS PAIR	1h	1h	1h	1h	1h		
13		861192	.1	FLOAT BRACKET	1	1	1	1	1		
14		929702	.1	PIN	1	1	1	1	1		
15		961230	.1	CARBURETOR PISTON	1	1	1	1	1		
16		961215	.1	JET NEEDLE	1	1	1	1	1		
17	N	945786	.1	CIRCLIP	1	1	1	1	1		
18		950430	.1	O-RING 2.5x1.5-N	1	1	1	1	1		

- Items not illustrated

d06555.fm

BRP-Rotax
ILLUSTRATED PARTS CATALOG

FIG. & ITEM NO.	STATUS	PART NO.	INDENT	Description	Parts per carburetor						
					912 A	912 F	912 S	912 UL	912 ULS	914 F	914 UL
19		961293	.1	FIXATION SCREW	1e	1e	1e	1e	1e		
20		861116	.1	DIAPHRAGM	1	1	1	1	1		
21	N s.v.	961241 961240	.1	RETAINING RING	1	1	1	1	1		
22		841210	.1	COMBINED SCREW M4x12	4	4	4	4	4		
23		938365	.1	THROTTLE VALVE SPRING	1	1	1	1	1		
24		961250	.1	CHAMBER TOP	1	1	1	1	1		
25		841341	.1	COUNTERSUNK SCREW M5x12	1	1	1	1	1		
26		847910	.1	DISTANCE SLEEVE	1	1	1	1	1		
27		838242	.1	SPRING	1	1	1	1	1		
28		640251	.1	OVAL HEAD SCREW M5x20	1	1	1	1	1		
29	N s.v.	961281 961280	.1	CHOKE HOUSING	1	1	1	1	1		
30		961273	.1	CHOKE VALVE ASSY. 1/3	1a,g	1a,g	1a,g	1a,g	1a,g		
30		961278	.1	CHOKE VALVE ASSY. 2/4	1b,g	1b,g	1b,g	1b,g	1b,g		
31		950420	.1	O-RING 5x1.5	1	1	1	1	1		
32		950030	.1	GASKET	1	1	1	1	1		
33		841360	.1	PHILLIPS HEAD SCREW M4x14	4	4	4	4	4		
34		848241	.1	CHOKE LEVER INSIDE	1	1	1	1	1		
35		848245	.1	CHOKE LEVER OUTSIDE	1	1	1	1	1		
36		845035	.1	SPRING WASHER 8.3/13.6/0.4	2	2	2	2	2		
37		942290	.1	HEX. NUT M8x1	2	2	2	2	2		
38	N s.v.	938286 938287	.1	RETURN SPRING	1	1	1	1	1		
39		963992	.1	THROTTLE SHAFT	1	1	1	1	1		
40		950020	.1	O-RING 6x1.9	1	1	1	1	1		
41		963666	.1	THROTTLE VALVE	1	1	1	1	1		
42		941200	.1	SLOTTED HEAD SCREW M3x6	2	2	2	2	2		

- Items not illustrated

d06555.fm

BRP-Rotax

ILLUSTRATED PARTS CATALOG

FIG. & ITEM NO.	STATUS	PART NO.	INDENT	Description	Parts per carburetor						
					912 A	912 F	912 S	912 UL	912 ULS	914 F	914 UL
43		961262	.1	CABLE SUPPORT 1/3	1a,g	1a,g	1a,g	1a,g	1a,g		
43		961267	.1	CABLE SUPPORT 2/4	1b,g	1b,g	1b,g	1b,g	1b,g		
44		240357	.1	OVAL HEAD SCREW M4x10	2	2	2	2	2		
45		963162	.1	THROTTLE VALVE STOP SCREW	1	1	1	1	1		
46		848232	.1	STOP LEVER 2/4	1b	1b	1b	1b	1b		
46		848230	.1	STOP LEVER 1/3	1a	1a	1a	1a	1a		
47-48 52-55		963026	.1	THROTTLE VALVE LEVER 1/3	1a,g	1a,g	1a,g	1a,g	1a,g		
47-48 52-55		963021	.1	THROTTLE VALVE LEVER 2/4	1b,g	1b,g	1b,g	1b,g	1b,g		
48		963015	..2	SLEEVE	1	1	1	1	1		
49		942290	.1	HEX. NUT M8x1	2	2	2	2	2		
50		845035	.1	SPRING WASHER 8.3/13.6/0.4	2	2	2	2	2		
51	N s.v.	938288 938289	.1	RETURN SPRING	1	1	1	1	1		
52		241847	.1	ALLEN SCREW M5x12	1	1	1	1	1		
53		847740	.1	GRADUATED SLEEVE	1	1	1	1	1		
54	N s.v.	827801 827800	.1	WASHER A5.5	1	1	1	1	1		
55	N s.v.	842032 842030	.1	LOCK NUT M5	2	2	2	2	2		
56		961222	.1	IDLE MIXTURE SCREW	1	1	1	1	1		
57		239463	.1	COMPRESSION SPRING	1g	1g	1g	1g	1g		
58		941740	.1	SLOTTED HEAD SCREW M3.5x5	1	1	1	1	1		
59	N s.v.	830721 830724	.1	GASKET (viton)	1	1	1	1	1		
			.1	GASKET (cork)	1	1	1	1	1		
60-61		963230	.1	FLOAT CHAMBER ASSY. 1/3	1	1	1	1	1		
60-61		963232	.1	FLOAT CHAMBER ASSY. 2/4	1	1	1	1	1		

- Items not illustrated

d06555.fm

BRP-Rotax
ILLUSTRATED PARTS CATALOG

FIG. & ITEM NO.	STATUS	PART NO.	INDENT	Description	Parts per carburetor						
					912 A	912 F	912 S	912 UL	912 ULS	914 F	914 UL
61		268758	..2	JET 85	1	1	1	1	1		
61		268762	..2	JET 105	(1)d	(1)d	(1)d	(1)d	(1)d		
61		268857	..2	JET 120	(1)d	(1)d	(1)d	(1)d	(1)d		
61		268763	..2	JET 130	(1)d	(1)d	(1)d	(1)d	(1)d		
61		268765	..2	JET 140	(1)d	(1)d	(1)d	(1)d	(1)d		
62		963180	.1	SPRING CLIP	1	1	1	1	1		
63		851071	.1	SUPPORT 1/3	1a	1a	1a	1a	1a		
63		851073	.1	SUPPORT 2/4	1b	1b	1b	1b	1b		
64		240761	.1	SLOTTED HEAD SCREW M5x16	1	1	1	1	1		
65		241440	.1	ADJUSTMENT SCREW M6x0.75	1	1	1	1	1		
66		942541	.1	HEX. NUT M6x0.75 HIGHT 3 MM	3	3	3	3	3		
67		861640	.1	BENT TUBE ASSY.	1	1	1	1	1		
68		256035	.1	AIR VENT LINE 120 MM	1	1	1	1	1		
69		963010	.1	SLEEVE	1	1	1	1	1		
70		996946	.1	GASKET SET CARBURETOR	1jl	1jl	1jl	1jl	1jl		
71		889534	.1	MAINTENANCE SET CARBUR.	2kl	2kl	2kl	2kl	2kl		

- Items not illustrated

- a For cylinder 1/3
- b For cylinder 2/4
- c Carburetor housing not available as spare part. use carburetor assy.;
- d See SI-03-1998 current issue
- e With clearance for O-Ring (use only together with O-Ring Pos. 18 (part no. 950430));
- f For airbox part no. 867758 / part no. 867756
See SB-912-044
- g See SI-912-012 / SI-914-014
- h Package including two floats
- i Special jetting according to instructions of the manufacturer
- j Contain parts requirement for 2 carburetors
- k Maintenance set for 1 carburetor
- l with rubber gasket

d06555.fm

BRP-Rotax

ILLUSTRATED PARTS CATALOG

INTENTIONALLY LEFT BLANK

d06555.fm

BRP-Rotax

ILLUSTRATED PARTS CATALOG

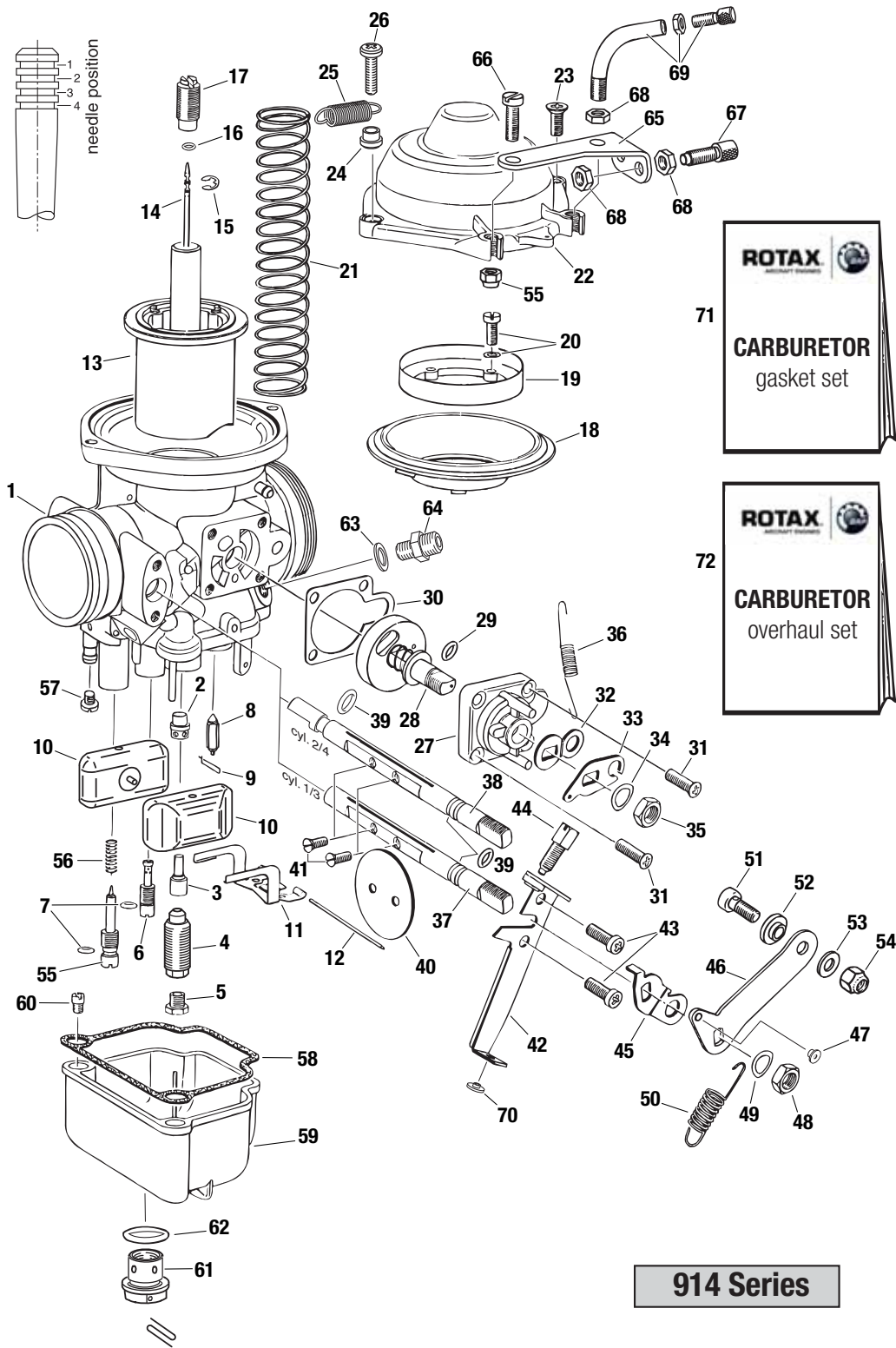


Fig. 73-00-00-3

BRP-Rotax

ILLUSTRATED PARTS CATALOG

Chapter) 73-00-00

CARBURETOR - SINGLE PARTS 914 SERIES

FIG. & ITEM NO.	STATUS	PART NO.	INDENT	Description	Parts per carburetor						
					912 A	912 F	912 S	912 UL	912 ULS	914 F	914 UL
3 1		-	.1	CARBURETOR HOUSING						1c	1c
2		961200	.1	DIFFUSER						1	1
3		261607	.1	NEEDLE JET 2.72						1	1
4		963135	.1	MIXING TUBE						1	1
5		268997	.1	MAIN JET 156						1g	1g
5		268996	.1	MAIN JET 158						1b,g	1b,g
5		268985	.1	MAIN JET 160						1h	1h
5		268993	.1	MAIN JET 164						1b,h	1b,h
6		963141	.1	IDLE JET 30						1	1
6		963143	.1	IDLE JET 35						1	1
7		831713	.1	O-RING 3.2x1.8						2f	2f
8		261708	.1	FLOAT NEEDLE VALVE W. VITON TIP						1f	1f
9		261710	.1	FLOAT NEEDLE CLIP						1	1
10	N n.a.	861189 861188	.1	FLOATS PAIR						1i	1i
11		861192	.1	FLOAT BRACKET						1	1
12		929702	.1	PIN						1	1
13		961230	.1	CARBURETOR PISTON						1	1
14		961215	.1	JET NEEDLE						1	1
15	N	945786	.1	CIRCLIP						1	1
16		950430	.1	O-RING 2.5x1.5-N						1	1
17		961293	.1	FIXATION SCREW						1e	1e
18		861116	.1	DIAPHRAGM						1	1
19	N s.v.	961241 961240	.1	RETAINING RING						1	1

- Items not illustrated

BRP-Rotax

ILLUSTRATED PARTS CATALOG

FIG. & ITEM NO.	STATUS	PART NO.	INDENT	Description	Parts per carburetor						
					912 A	912 F	912 S	912 UL	912 ULS	914 F	914 UL
20		841210	.1	COMBINED SCREW M4x12						4	4
21		938365	.1	THROTTLE VALVE SPRING						1	1
22		961250	.1	CHAMBER TOP						1	1
23		841341	.1	COUNTERSUNK SCREW M5x12						1	1
24		847910	.1	DISTANCE SLEEVE						1	1
25		838242	.1	SPRING						1	1
26		640251	.1	OVAL HEAD SCREW M5x20						1	1
27	N s.v.	961281 961280	.1	CHOKE HOUSING						1	1
28		961273	.1	CHOKE VALVE ASSY. 1/3						1a,f	1a,f
28		961278	.1	CHOKE VALVE ASSY. 2/4						1b,f	1b,f
29		950420	.1	O-RING 5x1.5						1	1
30		950030	.1	GASKET						1	1
31		841360	.1	SLOTTED HEAD SCREW M4x14						4	4
32		848241	.1	CHOKE LEVER INSIDE						1	1
33		848245	.1	CHOKE LEVER OUTSIDE						1	1
34		845035	.1	SPRING WASHER 8.3/13.6/0.4						2	2
35		942290	.1	HEX. NUT M8x1						2	2
36	N s.v.	938286 938287	.1	RETURN SPRING						1	1
37		963992	.1	THROTTLE SHAFT						1a	1a
38		963994	.1	THROTTLE SHAFT (long)						1b	1b
39		950020	.1	O-RING 6x1.9						2j	2j
40		963666	.1	THROTTLE VALVE						1	1
41		941200	.1	SLOTTED HEAD SCREW M3x6						2	2
42		961262	.1	CABLE SUPPORT 1/3						1a,f	1a,f
42		961267	.1	CABLE SUPPORT 2/4						1b,f	1b,f

- Items not illustrated

d06555.fm

BRP-Rotax

ILLUSTRATED PARTS CATALOG

FIG. & ITEM NO.	STATUS	PART NO.	INDENT	Description	Parts per carburetor						
					912 A	912 F	912 S	912 UL	912 ULS	914 F	914 UL
43		240357	.1	OVAL HEAD SCREW M4x10						2	2
44		963162	.1	THROTTLE VALVE STOP SCREW						1	1
45		848232	.1	STOP LEVER 2/4						1b	1b
45		848230	.1	STOP LEVER 1/3						1a	1a
46-47 51-54		963026	.1	THROTTLE VALVE LEVER 1/3						1a,f	1a,f
46-47 51-54		963021	.1	THROTTLE VALVE LEVER 2/4						1b,f	1b,f
47		963015	..2	SLEEVE						1	1
48		942290	.1	HEX. NUT M8x1						2	2
49		845035	.1	SPRING WASHER 8.3/13.6/0.4						2	2
50	N s.v.	938288 938289	.1	RETURN SPRING						1	1
51		241847	.1	ALLEN SCREW M5x12						1	1
52		847740	.1	GRADUATED SLEEVE						1	1
53	N s.v.	827801 827800	.1	WASHER A5.5						1	1
54	N n.a.	842032 842030	.1	LOCK NUT M5						2	2
55		961222	.1	IDLE MIXTURE SCREW						1	1
56		239463	.1	COMPRESSION SPRING						1f	1f
57		941740	.1	SLOTTED HEAD SCREW M3.5x5						1	1
58	N	830721	.1	GASKET (rubber)						1 n	1 n
58	s.v.	830728	.1	GASKET (paper)						1m	1m
59-60		963235	.1	FLOAT CHAMBER ASSY. 1/3						1	1
59-60		963237	.1	FLOAT CHAMBER ASSY. 2/4						1	1
60		268758	..2	JET 85						1	1
60		268762	..2	JET 105						(1)d	(1)d

- Items not illustrated

d06555.fm

BRP-Rotax
ILLUSTRATED PARTS CATALOG

FIG. & ITEM NO.	STATUS	PART NO.	INDENT	Description	Parts per carburetor						
					912 A	912 F	912 S	912 UL	912 ULS	914 F	914 UL
60		268857	..2	JET 120						(1)d	(1)d
60		268763	..2	JET 130						(1)d	(1)d
60		268765	..2	JET 140						(1)d	(1)d
61-62		963281	.1	ATTACHMENT SCREW ASSY.						1f	1f
62		631771	..2	O-RING 15.6x1.78						1f	1f
63		950141	.1	GASKET RING A 8x13						1	1
64		941853	.1	FUEL LINE CONNECTOR						1	1
65		851071	.1	SUPPORT 1/3						1a	1a
65		851073	.1	SUPPORT 2/4						1b	1b
66		240761	.1	SLOTTED HEAD SCREW M5x16						1	1
67		241440	.1	ADJUSTMENT SCREW M6x0.75						1	1
68		942541	.1	HEX. NUT M6x0.75 HIGHT 3 MM						3	3
69		861640	.1	BENT TUBE ASSY.						1	1
70		963010	.1	SLEEVE						1	1
71	N s.v.	996946 996947	.1	GASKET SET CARBURETOR 914						1kn 1km	1kn 1km
72	N s.v.	889534 889536	.1	MAINTENANCE SET CARBURETOR						2 ln 2 lm	2 ln 2 lm

- Items not illustrated

- a For cylinder 1/3
- b For cylinder 2/4
- c Carburetor housing not available as spare part. use carburetor assy.;
- d Refer to service instruction SI-03-1998 current issue
- e With clearance for O-Ring (use only together with O-Ring Pos. 16 (part no. 950430));
- f See therefore SI-912-012 / SI-914-014 current issue
- g For use of airbox part no. 667167
See therefore SI-914-015 current issue
For engine S/N:
914 F: 4420409
914 UL: 4418634
- h For use of airbox part no. 867753 or 667162
See therefore SI-914-013 and SI-914-002 current issue
- i Package including two floats

d06555.fm

BRP-Rotax

ILLUSTRATED PARTS CATALOG

- j at carburetor 1/3 only 1 piece
- k Contain parts requirement for 2 carburetors
- l Maintenance-kit for 1 carburetor
- m with paper gasket
- n with rubber gasket/ standardized with 912 engine

BRP-Rotax
ILLUSTRATED PARTS CATALOG

INTENTIONALLY LEFT BLANK

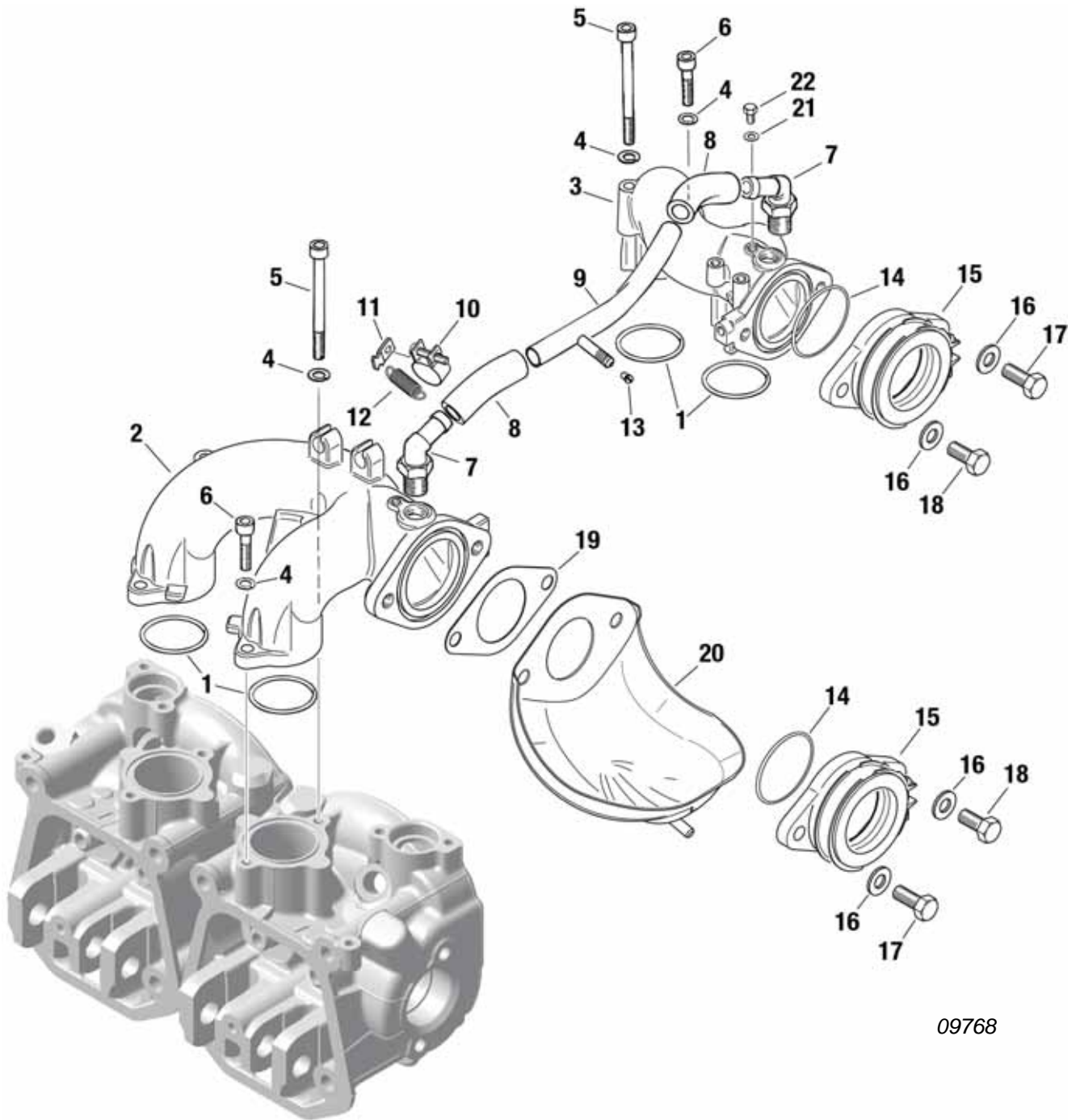
d06555.fm

BRP-Rotax
ILLUSTRATED PARTS CATALOG

INTENTIONALLY LEFT BLANK

d06781.fm

BRP-Rotax
ILLUSTRATED PARTS CATALOG



09768

Fig. 73-10-00-1

BRP-Rotax
ILLUSTRATED PARTS CATALOG

Chapter) 73-10-00

INTAKE MANIFOLD, COMPENSATING TUBE ASSY., RUBBER FLANGE ASSY.

FIG. & ITEM NO.	STATUS	PART NO.	INDENT	Description	Parts per Engine						
					912 A	912 F	912 S	912 UL	912 ULS	914 F	914 UL
1 1		230910	.1	O-RING 34x2	4	4	4	4	4	4	4
2		867932	.1	INTAKE MANIFOLD	1a	1a	1a	1a	1a	1a	1a
3		867935	.1	INTAKE MANIFOLD	1g	1g	1g	1g	1g	1g	1g
4		827962	.1	WASHER 6.4	8	8	8	8	8	8	8
5	N s.v.	240533 240531	.1	ALLEN SCREW M6x75	4	4	4	4	4	4	4
6	N n.a	840866 840861	.1	ALLEN SCREW M6x25	4	4	4	4	4	4	4
7		922242	.1	ANGULAR TUBE 1/4-18NPT	2	2	2	2	2	2	2
8		956143	.1	TUBE 66 MM	2f	2f	2f	2f	2f	2f	2f
8		956141	.1	TUBE 81 MM	1f	1f	1f	1f	1f	1f	1f
8		956142	.1	TUBE	2e	2e	2e	2e	2e	2e	2e
9		924541	.1	COMPENSATING TUBE ASSY.	1f	1f	1f	1f	1f	1f	1f
10		853515	.1	CLAMP 16/9	2	2	2	2	2	2	2
11		953400	.1	BRACKET	2	2	2	2	2	2	2
12		xxxxxx	.1	See chapt. 73-00-00 fig. 1	1	1	1	1	1	1	1
13		940980	.1	SCREW M3.5	1f	1f	1f	1f	1f	1f	1f
14		230300	.1	O-RING 47x2	2	2	2	2	2	2	2
15		267789	.1	RUBBER FLANGE ASSY.	2c	2c	2c	2c	2c	2c	2c
16	s.v.	250315 250311	.1	WASHER 8.4	4	4	4	4	4	4	4
17	N s.v.	940483 940481	.1	HEX. SCREW M8x30	2	2	2	2	2		
18		240276	.1	HEX. SCREW M8x25	2f	2f	2f	2f	2f	4	4
19		931640	.1	GASKET	2b	2b		2b		2b	2b
20		874300	.1	DRIP TRAY	(2d)	(2d)	(2d)	(2d)	(2d)	2	2

- Items not illustrated

d06781.fm

BRP-Rotax
ILLUSTRATED PARTS CATALOG

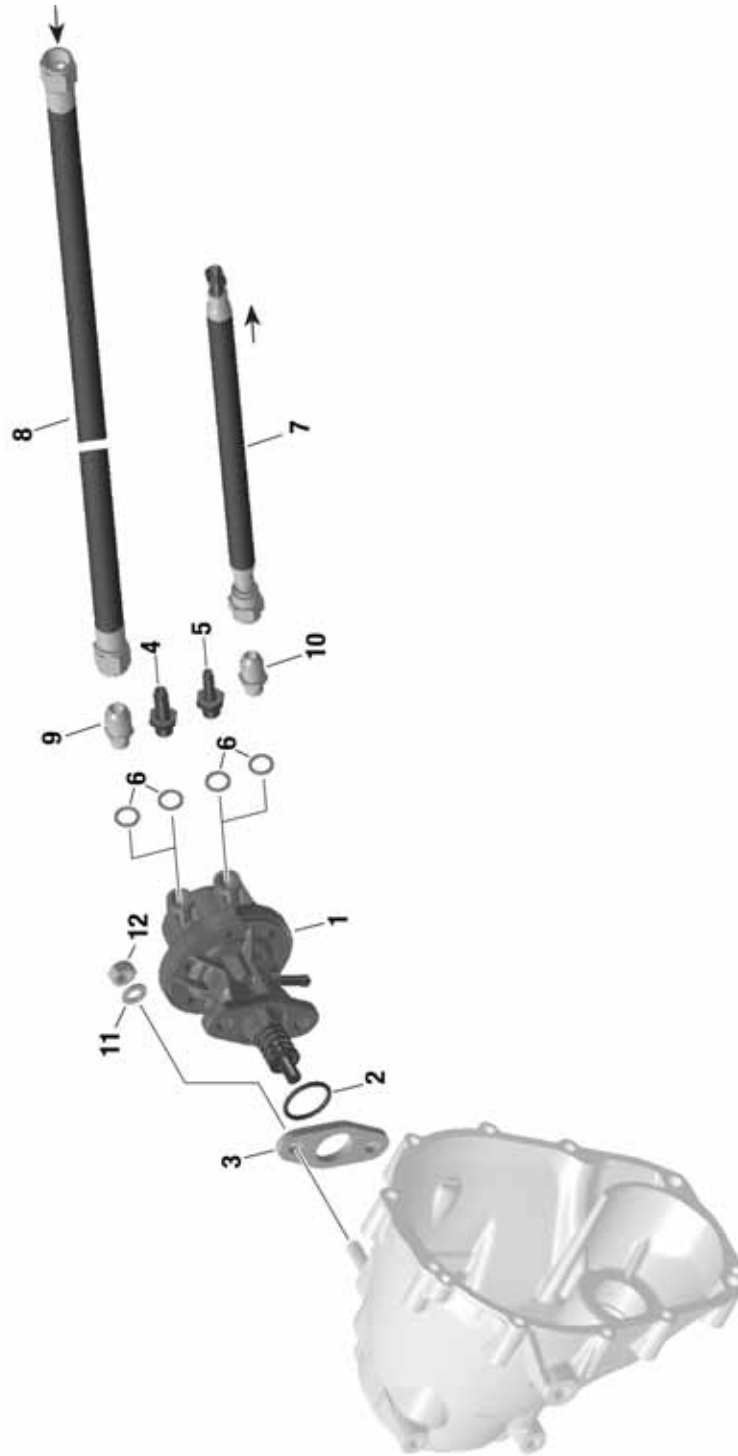
FIG. & ITEM NO.	STATUS	PART NO.	INDENT	Description	Parts per Engine						
					912 A	912 F	912 S	912 UL	912 ULS	914 F	914 UL
21		230415	.1	GASKET A 6x10	2	2	2	2	2	2	2
22		641071	.1	HEX. SCREW M6x6	2	2	2	2	2	2	2

- Items not illustrated

- a For cylinder 2 and 4
- b Only at intake manifold without O-ring
- c Following Service Bulletin has to be noticed:
SB-912-030 current issue
SB-914-019
- d Intended for airboxes without drip tray.
- e in a roll, not with Form 1
- f Following Service Instruction has to be noticed:
SI-912-020 current issue
SI-914-022
- g For cylinder 1 and 3

d06781.fm

BRP-Rotax
ILLUSTRATED PARTS CATALOG



09769_1

Fig. 73-10-00-2

d06781.fm

BRP-Rotax
ILLUSTRATED PARTS CATALOG

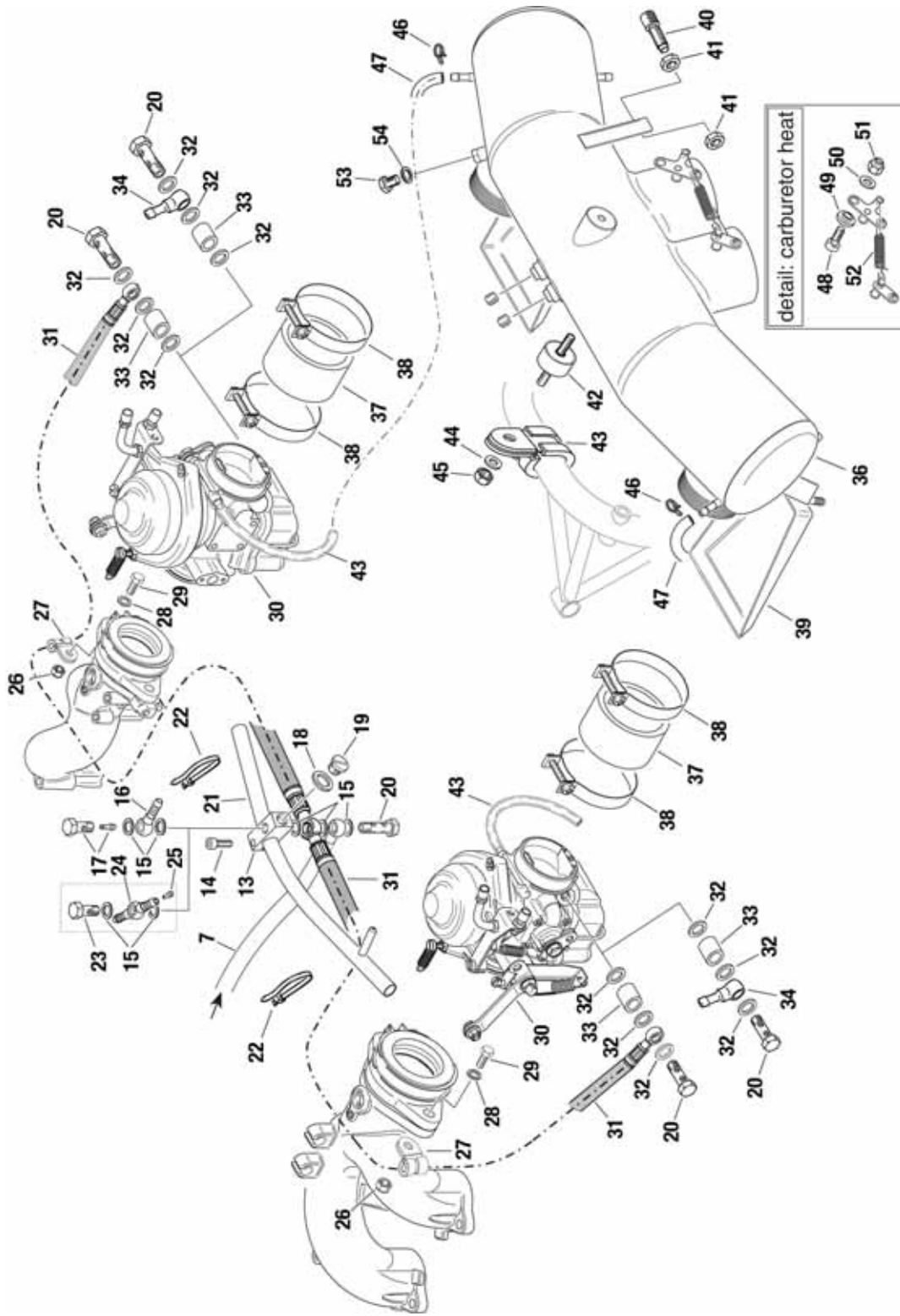


Fig. 73-10-00-2

09769_b

d06781.fm

BRP-Rotax

ILLUSTRATED PARTS CATALOG

Chapter) 73-10-00

FUEL PUMP ASSY., FUEL HOSE ASSY., AIRBOX ASSY.

FIG. & ITEM NO.	STATUS	PART NO.	INDENT	Description	Parts per Engine						
					912 A	912 F	912 S	912 UL	912 ULS	914 F	914 UL
2 1-3, 6-10	n.a.	893114	.1	FUEL PUMP ASSY.	(1)a	1a	1a	(1)a	(1)a		
2 1-3		893115	.1	FUEL PUMP ASSY.	1bi	1bi	1bi	1bi	1bi		
2		631870	..2	O-RING 23.47x2.62	1	1	1	1	1		
3	N s.v.	950228 950227	..2	ISOLATING FLANGE	1	1	1	1	1		
4		840745	..2	NIPPLE 9/5.7	1i	1i	1i	1i	1i		
5		840740	..2	NIPPLE 7/3.8	1i	1i	1i	1i	1i		
6		250425	..2	GASKET RING 10.2x15x1.5	2i	2i	2i	2i	2i		
7		874337	..2	FUEL HOSE ASSY.	1i	1i	1i	1i	1i		
8		874347	..2	FUEL HOSE ASSY.	1i	1i	1i	1i	1i		
9		840770	..2	ADAPTER 9/16-18 UNF/ M10x1	1i	1i	1i	1i	1i		
10		840775	..2	ADAPTER 1/2-20 UNF/ M10x1	1i	1i	1i	1i	1i		
11	N s.v.	945832 945752	..2	LOCK WASHER A8	2	2	2	2	2		
12		942674	.1	HEX. NUT M8 SW11	2	2	2	2	2		
13	n.a.	851328 851327	.1	FUEL DISTRIBUTION BLOCK	(1)	1	1	(1)	(1)		
14		840518	.1	ALLEN SCREW M5x16	(1)	1	1	(1)	(1)		
15		950143	.1	SEALING RING A 8x13	(5)	5	5	(5)	(5)		
16		956312	.1	HOSE NIPPLE 3/4	(1)	(1)	(1)	(1)	(1)		
17		840737	.1	BANJO BOLT ASSY.	(1)d	1d	1d	(1)d	(1)d		
18		230150	.1	SEALING RING 10x14	(1)	1	1	(1)	(1)		
19		641733	.1	SLOTTED HEAD SCREW M10x1x8	(1)	1	1	(1)	(1)		
20	N s.v.	940861 940872	.1	BANJO BOLT M8x1x27	3	3	3	(3)	(3)		
21		xxxxxx	.1	See fig. 1 / pos. 9	1	1	1	1	1		

d06781.fm

BRP-Rotax
ILLUSTRATED PARTS CATALOG

FIG. & ITEM NO.	STATUS	PART NO.	INDENT	Description	Parts per Engine						
					912 A	912 F	912 S	912 UL	912 ULS	914 F	914 UL
22		866716	.1	CABLE TIE 203x7.6	2	2	2	(2)	(2)		
23	s.v. N	941780 840735	.1	BANJO BOLT M8x1x17	(1)	1	1	(1)	(1)		
24- 25		956602	.1	DOUBLE HOSE NIPPLE ASSY.	(1)c	1c	1c	(1)c	(1)c		
25		963820	..2	PILOT JET 35	(1)	1	1	(1)	(1)		
26		942671	.1	HEX. NUT M8	2	2	2	2	2		
27		651430	.1	CABLE CLAMP 12/M8	2	2	2	(2)	(2)		
28		xxxxxx	.1	See fig. 1 / pos. 16	1	1	1	(1)	(1)		
29		xxxxxx	.1	See fig. 1 / pos. 17	6	6	6	(6)	(6)		
30		xxxxxx	.1	See chapt. 73-00-00 fig. 1	1	1	1	1	1	1	1
31		874911	.1	FUEL HOSE ASSY.	1	1	1	(1)	(1)		
32		950141	.1	GASKET RING A 8x13	6	6	6	(6)	(6)		
33		847796	.1	DISTANCE SLEEVE 8.4/12/7.5	2	2	2	(2)	(2)		
34		956312	.1	HOSE NIPPLE 3/4	2h	2h	2h	2h	2h		
35	-	-	-	-	-	-	-	-	-	-	-
36- 52		667355	.1	AIRBOX ASSY.	1bg	1bg	(1)b g	(1)b g	(1)b g		
37		860985	..2	CONNECTING HOSE 35 MM	(2)	(2)	(2)	(2)	(2)		
38		853595	..2	CLAMP 59	(4)	(4)	(4)	(4)	(4)		
39		874308	..2	DRIP TRAY SET			(1f)		(1f)		
39		874680	..2	DRIP TRAY SET	(1e)	(1e)	(1e)	(1e)	(1e)		
40		241440	..2	ADJUSTMENT SCREW M6x0.75	(1)	(1)	(1)	(1)	(1)		
41		942541	..2	HEX. NUT M6x0.75 HIGHT 3 MM	(2)	(2)	(2)	(2)	(2)		
42		960151	..2	RUBBER PUFFER 20x15xM6	(1)	(1)	(1)	(1)	(1)		
43		853010	..2	CABLE CLAMP 32/M6	(1)	(1)	(1)	(1)	(1)		
44		927941	..2	WASHER 6.0/12/1	(1)	(1)	(1)	(1)	(1)		
45	N n.a.	842041 842040	..2	LOCK NUT M6	(1)	(1)	(1)	(1)	(1)		

d06781.fm

BRP-Rotax

ILLUSTRATED PARTS CATALOG

FIG. & ITEM NO.	STATUS	PART NO.	INDENT	Description	Parts per Engine						
					912 A	912 F	912 S	912 UL	912 ULS	914 F	914 UL
46		851370	..2	CLAMP 8	(4)	(4)	(4)	(4)	(4)		
47		860660	..2	HOSE 4x7, IN A ROLL, 200 MM	(2)	(2)	(2)	(2)	(2)		
48		241847	..2	ALLEN SCREW M5x12	(1)	(1)	(1)	(1)	(1)		
49		847741	..2	GRADUATED SLEEVE	(1)	(1)	(1)	(1)	(1)		
-		881980	..2	RETROFIT KIT FLEX. FUEL LINES	1i	1i	1i	1i	1i		
50	N s.v.	827801 827800	..2	WASHER A 5.5	(1)	(1)	(1)	(1)	(1)		
51		842030	..2	LOCK NUT M5	(1)	(1)	(1)	(1)	(1)		
52		938030	.1	SPRING	(1)	(1)	(1)	(1)	(1)		
53	N s.v.	240772 240771	.1	HEX. SCREW M6x10	(1)	(1)	(1)	(1)	(1)		
54		230415	.1	SEALING RING A 6x10	(1)	(1)	(1)	(1)	(1)		

- a Marked with S/N. Inclusive suction- and pressure line;
- b Marked with S/N.
- c With fuel pressure gauge connection; At conversion from 956312 to 956602 remove jet 963820 from banjo bolt.
- d Marked with yellow dot, with orifice;
- e Drip tray for airbox part no. 867758, 667162 and 667167
- f Drip tray for airbox part no. 867758
- g For retrofitting following Service Bulletin has to be noticed SB-912-044 current issue
- h Optional with connection flexible fuel lines;
- i See SI 912-020 current issue

d06781.fm

BRP-Rotax
ILLUSTRATED PARTS CATALOG

INTENTIONALLY LEFT BLANK

d06781.fm

BRP-Rotax

ILLUSTRATED PARTS CATALOG

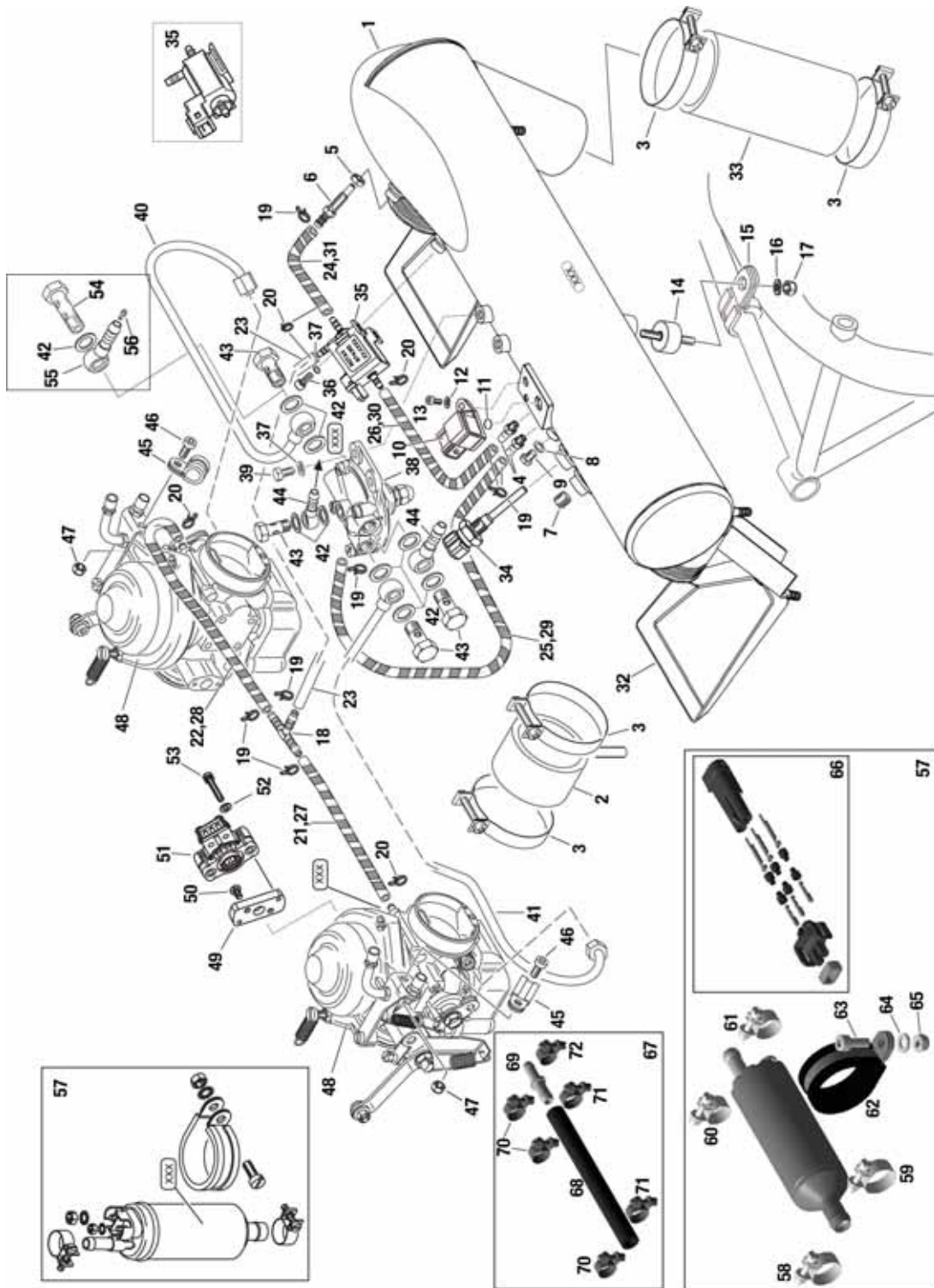


Fig. 73-10-00-3

09770

d06781.fm

BRP-Rotax

ILLUSTRATED PARTS CATALOG

Chapter) 73-10-00

AIRBOX ASSY., 3-WAY SOLENOID VALVE ASSY., FUEL PRESSURE REGULATOR ASSY.

FIG. & ITEM NO.	STATUS	PART NO.	INDENT	Description	Parts per Engine						
					912 A	912 F	912 S	912 UL	912 ULS	914 F	914 UL
3	1-33	667574	.1	AIRBOX ASSY.						1a	1a
	1	-	..2	AIRBOX						1	1
	2	860985	..2	CONNECTING HOSE 35 MM						2	2
	3	853595	..2	CLAMP 59						6	6
	4	940551	..2	HOSE NIPPLE M6						2	2
	5	242032	..2	HEX NUT BM6						1	1
	6	940555	..2	HOSE NIPPLE M6						1	1
	7	240481	..2	PLUG SCREW 1/8-27NPT						1	1
	8	230415	..2	SEALING RING A 6x10						1	1
	9	641071	..2	HEX. SCREW M6x6-8.8						1	1
	10	xxxxxx	..2	See chapt. 76-10-00						1	1
	11	430205	..2	O-RING 6.4x1.8						1	1
	12	244216	..2	WASHER 6.2/14/1						1	1
	13	840392	..2	ALLEN SCREW M6x14						1	1
	13	s.v. 840391	..2	ALLEN SCREW M6x14						1	1
	14	960151	..2	RUBBER PUFFER 20x15xM6						1	1
	15	853010	..2	CABLE CLAMP 32/M6						1	1
	16	927941	..2	WASHER 6.0/12/1						3	3
	17	842041	..2	LOCK NUT M6						1	1
	18	874270	..2	T-PEACE 6-6-6						2	2
	19	851370	..2	CLAMP 8						7	7
	20	951595	..2	CLAMP 7.3						5	5
	21- 26	860660	.2	HOSE 4x7						AR	AR

- Items not illustrated

d06781.fm

BRP-Rotax
ILLUSTRATED PARTS CATALOG

FIG. & ITEM NO.	STATUS	PART NO.	INDENT	Description	Parts per Engine						
					912 A	912 F	912 S	912 UL	912 ULS	914 F	914 UL
21			...3	IN A ROLL, VITON HOSE 270 MM						1	1
22			...3	IN A ROLL, VITON HOSE 235 MM						1	1
23			...3	IN A ROLL, VITON HOSE 40 MM						1	1
24			...3	IN A ROLL, VITON HOSE 145 MM						1	1
25			...3	IN A ROLL, VITON HOSE 160 MM						1	1
26			...3	IN A ROLL, VITON HOSE 190 MM						1	1
27-31		966060	..2	SPIRAL HOSE 6.5x8.5x0.6						AR	AR
27			...3	IN A ROLL SPIRAL HOSE, 270 MM						1	1
28			...3	IN A ROLL SPIRAL HOSE, 225 MM						1	1
29			...3	IN A ROLL SPIRAL HOSE, 130 MM						1	1
30			...3	IN A ROLL SPIRAL HOSE, 165 MM						1	1
31			...3	IN A ROLL SPIRAL HOSE, 125 MM						1	1
32		874680	.1	DRIP TRAY SET						1	1
33		860984	.1	AIR INTAKE HOSE 250 MM ± 3						1	1
34		966435	.1	RESISTANCE THERMOMETER						1	1
35		874312	.1	3-WAY SOLENOID VALVE ASSY.						1e	1e
35		881040	.1	3-WAY SOLENOID VALVE RETROFIT KIT						1e	1e
36		840392	.1	ALLEN SCREW M6x14						2	2
37	N s.v.	945831 945751	.1	LOCK WASHER A6						4	4
38		887130	.1	FUEL PRESSURE REGULATOR ASSY.						1	1
39		241187	.1	HEX. SCREW M6x16						2	2
40		874290	.1	FUEL HOSE ASSY. 1/3						1c	1c
41		874280	.1	FUEL HOSE ASSY.2/4						1b	1b
42		230150	.1	SEALING RING 10x14						9	9

- Items not illustrated

d06781.fm

BRP-Rotax
ILLUSTRATED PARTS CATALOG

FIG. & ITEM NO.	STATUS	PART NO.	INDENT	Description	Parts per Engine						
					912 A	912 F	912 S	912 UL	912 ULS	914 F	914 UL
43	N s.v.	241073 940874	.1	BANJO BOLT M10x1x19						4	4
44		956314	.1	HOSE NIPPLE 4/6						2	2
45		851115	.1	CABLE CLAMP 5/M5						2	2
46	N s.v.	241842 241841	.1	ALLEN SCREW M5x12						2	2
47		842030	.1	LOCK NUT M5						2	2
48		xxxxxx	.1	See chapt. 73-00-00 fig. 1						2	2
49		861931	.1	ADAPTOR						1	1
50		640181	.1	SLOTTED HEAD SCREW M4x7						2d	2d
51		966482	.1	THROTTLE VALVE POSITION SENSOR						1	1
52		244073	.1	WASHER 4.3						2d	2d
53		841030	.1	COMBINED SCREW M4x22						2d	2d
54	N s.v.	241072 940873	.1	BANJO BOLT M10x1x30						(1f)	(1f)
55		956314	.1	HOSE NIPPLE 4/6						(1f)	(1f)
56		963143	.1	IDLE JET 35						1g	1g
57	N s.v.	881365 996738	.1	FUEL PUMP ASSY.						2h	2h
58		951826	..2	HOSE CLAMP 19x9						1	1
59		951828	..2	HOSE CLAMP 20x9						1	1
60		951822	..2	HOSE CLAMP 15x9						1	1
61		951824	..2	HOSE CLAMP 16x9						1	1
62		853482	..2	CLAMP 37x15						1	1
63		241237	..2	ALLEN SCREW M6x16						1	1
64		827962	..2	WASHER A6						1	1
65		842042	..2	LOCK NUT M6						1	1
66		881304	..2	CONNECTOR SET FUEL PUMP						1	1

- Items not illustrated

d06781.fm

BRP-Rotax
ILLUSTRATED PARTS CATALOG

FIG. & ITEM NO.	STATUS	PART NO.	INDENT	Description	Parts per Engine						
					912 A	912 F	912 S	912 UL	912 ULS	914 F	914 UL
67-72		881367	.1	FUEL PUMP HOSE REDUCTION SET						2h	2h
68		974080	..2	FUEL HOSE 9.3X3X150						1	1
69		874375	..2	REDUCTION NIPPLE 9.8/8.5						1	1
70		951822	..2	HOSE CLAMP 15x9						3	3
71		951824	..2	HOSE CLAMP 16x9						2	2
72		951821	..2	HOSE CLAMP 14x9						1	1

- Items not illustrated

- a Marked with S/N.
- b For cylinder 2/4
- c For cylinder 1/3
- d Also included in carburetor for 914 Cyl. 2/4.
- e See Service Instruction SI-914-022 current issue
- f Optional for fuel pressure gauge connection
- g Press into part at pos. 55.
- h See Service Instruction SI-914-035

d06781.fm

BRP-Rotax
ILLUSTRATED PARTS CATALOG

INTENTIONALLY LEFT BLANK

d06781.fm

BRP-Rotax
ILLUSTRATED PARTS CATALOG

CHAPTER INCLUDES ONLY
NOT CERTIFIED PARTS

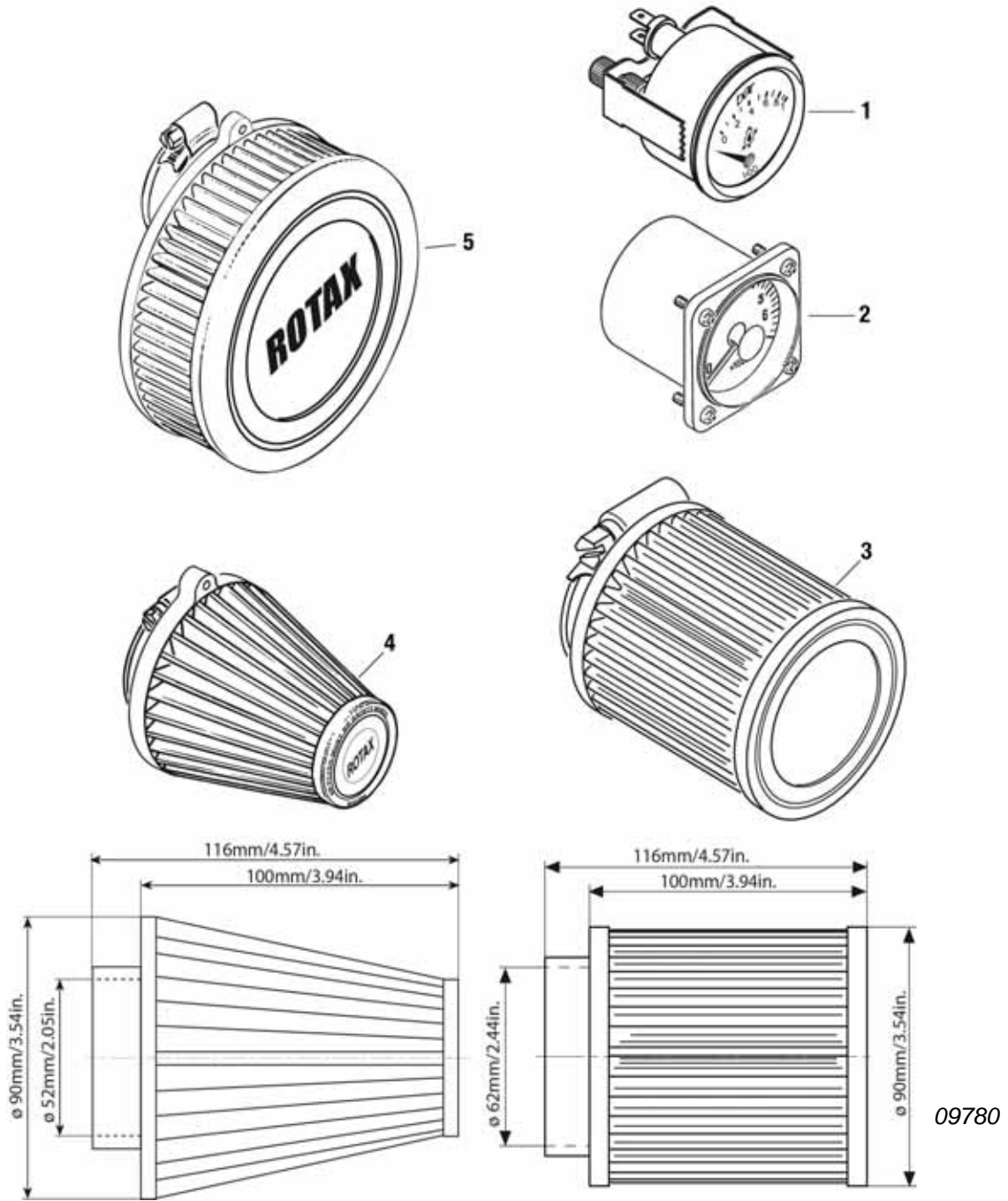


Fig. 73-10-00-4

d06781.fm

BRP-Rotax
ILLUSTRATED PARTS CATALOG

Chapter) 73-10-00
INSTRUMENTS, AIR FILTER

FIG. & ITEM NO.	STATUS	PART NO.	INDENT	Description	Parts per Engine						
					912 A	912 F	912 S	912 UL	912 ULS	914 F	914 UL
4 1		956520	.1	PRESSURE GAUGE (0-146 psi) (0-10 bar)	(1)a	(1)a	(1)a	(1)a	(1)a	(1)a	(1)a
2		966408	.1	REV COUNTER 0-7000 1/MIN	(1)b	(1)b	(1)b	(1)b	(1)b	(1)b	(1)b
3		825750	.1	AIR FILTER						(1)	(1)
4		825551	.1	AIR FILTER	(2)	(2)	(2)	(2)	(2)		
5		825711	.1	AIR FILTER	(2)c	(2)c	(2)c	(2)c	(2)c		

- Items not illustrated

- a For oil pressure; for old VDO sensor, not usable with part no. 456180
- b For engine speed;
- c Following Service Instruction has to be noticed
SI-912-017 current issue

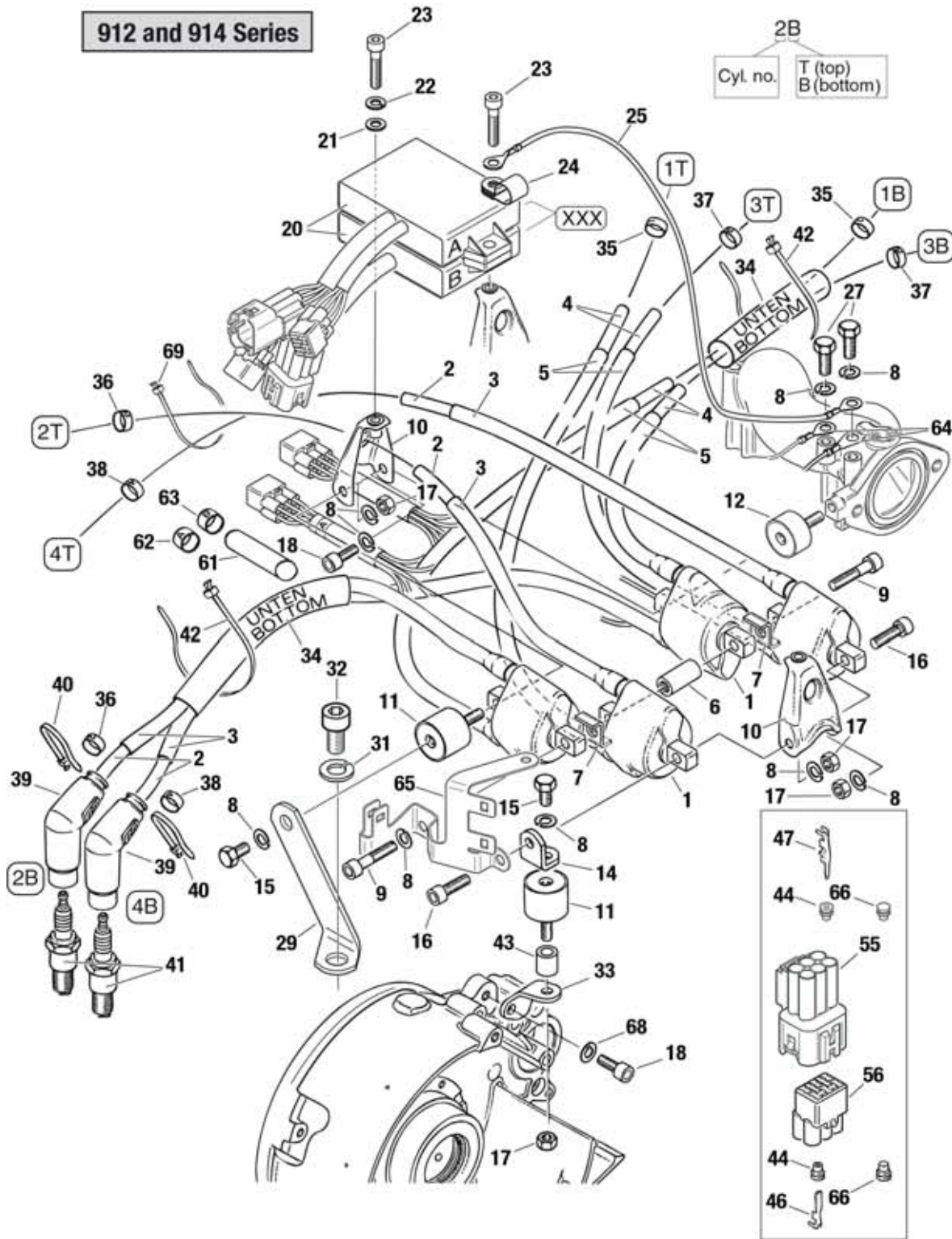
BRP-Rotax
ILLUSTRATED PARTS CATALOG

INTENTIONALLY LEFT BLANK

d06599.fm

BRP-Rotax

ILLUSTRATED PARTS CATALOG



Bild/fig. 74-20-00-1

09777

d06599.fm

BRP-Rotax

ILLUSTRATED PARTS CATALOG

Chapter) 74-20-00

DOUBLE IGNITION COIL ASSY., SMD- ELECTRONIC MODULE

FIG. & ITEM NO.	STATUS	PART NO.	INDENT	Description	Parts per Engine						
					912 A	912 F	912 S	912 UL	912 ULS	914 F	914 UL
1 1-5		966218	.1	DOUBLE IGNITION COIL ASSY.	4	4	4	4	4	4	4
2	N s.v.	865711 865710	..2	IGNITION CABLE 7 MM	ARa	ARa	ARa	ARa	ARa	ARa	ARa
3	N s.v.	860991 860990	..2	PROTECTION HOSE 8x1	ARb	ARb	ARb	ARb	ARb	ARb	ARb
4	N s.v.	865711 865710	..2	IGNITION CABLE 7 MM	ARa	ARa	ARa	ARa	ARa	ARa	ARa
5	N s.v.	860991 860990	..2	PROTECTION HOSE 8x1	ARb	ARb	ARb	ARb	ARb	ARb	ARb
6		842742	.1	DISTANCE NUT M6x22.5	1	1	1	1	1	1	1
7		953390	.1	SEPARATING PLATE	2	2	2	2	2	2	2
8	N s.v.	945831 945751	.1	LOCK WASHER A6	9	9	9	9	9	9	9
9		840883	.1	ALLEN SCREW M6x30	2	2	2	2	2	2	2
10		953127	.1	IGNITION COIL BRACKET ASSY.	2	2	2	2	2	2	2
11		860710	.1	RUBBER BUFFER 25x20xM6	2	2	2	2	2	2	2
12		960060	.1	RUBBER BUFFER 25x15xM6	1	1	1	1	1	1	1
14		851260	.1	IGNITION COIL BRACKET 1	1	1	1	1	1	1	1
15	s.v.	240772 240771	.1	HEX. SCREW M6x10	2	2	2	2	2	2	2
16	N n.a.	241935 241930	.1	ALLEN SCREW M6x20	2	2	2	2	2	2	2
17	N s.v.	242214 242211	.1	HEX. NUT M6	4	4	4	4	4	4	4
18	N n.a.	241237 241236	.1	ALLEN SCREW M6x16	3	3	3	3	3	3	3

- Items not illustrated

d06599.fm

BRP-Rotax
ILLUSTRATED PARTS CATALOG

FIG. & ITEM NO.	STATUS	PART NO.	INDENT	Description	Parts per Engine							
					912 A	912 F	912 S	912 UL	912 ULS	914 F	914 UL	
20	n.a. N	966728 965442	.1	SMD-ELECTRONIC MODULE (6p+6p+single con.)							2d	2d
20	n.a. N	966729 965444	.1	SMD-ELECTRONIC MODULE (6p+6p+single con.)	2e	2e	2e	2e	2e			
21	N s.v.	827801 827800	.1	WASHER A 5.5	1	1	1	1	1	1	1	1
22	N	945830	.1	LOCK WASHER A5	1	1	1	1	1	1	1	1
22	s.v.	945750	.1	LOCK WASHER A5	1	1	1	1	1	1	1	1
23	N	240187	.1	ALLEN SCREW M5x25	2	2	2	2	2	2	2	2
24		851118	.1	CABLE CLAMP 11.3/M5	1	1	1	1	1	1	1	1
25		965788	.1	MASS CABLE ASSY.	1	1	1	1	1	1	1	1
26		965781	.1	MASS CABLE ASSY.	2	2		2		2	2	2
27	N	241187	.1	HEX. SCREW M6x16	1	1	2	1	2	1	1	1
27	n.a.	241186	.1	HEX. SCREW M6x16	1	1	2	1	2	1	1	1
29		851481	.1	BRACKET	1	1	1	1	1	1	1	1
31	N s.v.	945832 945752	.1	LOCK WASHER A8	1	1	1	1	1	1	1	1
32	N s.v.	440192 440191	.1	ALLEN SCREW M8x16	1	1	1	1	1	1	1	1
33		851267	.1	BRACKET	1	1	1	1	1	1	1	1
34		860734	.1	GLASS FIBER-SILICON SHEATING 120	2	2	2	2	2	2	2	2
35		860741	.1	MARKING SLEEVE 1	2	2	2	2	2	2	2	2
36		860742	.1	MARKING SLEEVE 2	2	2	2	2	2	2	2	2
37		860743	.1	MARKING SLEEVE 3	2	2	2	2	2	2	2	2
38		860744	.1	MARKING SLEEVE 4	2	2	2	2	2	2	2	2

- Items not illustrated

d06599.fm

BRP-Rotax
ILLUSTRATED PARTS CATALOG

FIG. & ITEM NO.	STATUS	PART NO.	INDENT	Description	Parts per Engine						
					912 A	912 F	912 S	912 UL	912 ULS	914 F	914 UL
39	s.v.	265249 265248	.1	SPARK PLUG SOCKET	8	8	8	8	8	8	8
40		866710	.1	CLAMP 142x2.5 MM	8	8	8	8	8	8	8
41	n.a.	897255	.1	SPARK PLUG 12 MM	8	8		8			
41	n.a.	297940	.1	SPARK PLUG 12 MM			8		8		
41	n.a.	881330	.1	SPARK PLUG 12 MM						8	8
41		297656	.1	SPARK PLUG 12 MM	8	8	8	8	8	8	8
42		251920	.1	CLAMP 279x3.6 MM	2	2	2	2	2	2	2
43		847701	.1	SPACER 6.5/10/11	(1)c	(1)c	(1)c	(1)c	(1)c	1	1
44		260130	.1	CABLE GROMMET	AR	AR	AR	AR	AR	AR	AR
46		265275	.1	FASTON CONNECTOR	AR	AR	AR	AR	AR	AR	AR
47		265210	.1	FLAT PIN TERMINAL	AR	AR	AR	AR	AR	AR	AR
55		265269	.1	CONNECTOR HOUSING 6-POLE	AR	AR	AR	AR	AR	AR	AR
56		265265	.1	CONNECTOR HOUSING 6-POLE	AR	AR	AR	AR	AR	AR	AR
61	n.a	-	.1	PROTECTION HOSE 60 MM	2	2	2	2	2	2	2
62		960010	.1	SHRINKABLE HOSE IMPRIN- TED A	1	1	1	1	1	1	1
63		960015	.1	SHRINKABLE HOSE IMPRIN- TED B	1	1	1	1	1	1	1
64		965782	.1	MASS CABLE ASSY.	2	2	2	2	2	2	2
64		965784	.1	MASS CABLE ASSY.	2d	2d	2d	2d	2d	2d	2d
65		853125	.1	CONNECTOR BRACKET	1d	1d	1d	1d	1d	1d	1d
66		260135	.1	DUMMY PLUG	1d	1d	1d	1d	1d	1d	1d
67		881280	.1	SOFT START SET	1f	1f	1f	1f	1f	1f	1f
68	N s.v.	827962 827961	.1	WASHER 6.4	1	1	1	1	1	1	1
69		866714	.1	TIE WRAP 142x3,2 MM	2	2	2	2	2	2	2

- Items not illustrated

d06599.fm

BRP-Rotax

ILLUSTRATED PARTS CATALOG

FIG. & ITEM NO.	STATUS	PART NO.	INDENT	Description	Parts per Engine						
					912 A	912 F	912 S	912 UL	912 ULS	914 F	914 UL
-	N s.v.	964081 964090	.1	EASY START UNLOCK CABLE ASSY.	1	1	1	1	1		

- Items not illustrated

- a In a roll, Ignition cable 4.5 m;
- b In a roll, Protection hose 4.1 m
- c Necessary at version with ring mount
- d SI-912-013 / SI-914-016 current issue
See Maintenance Manual Heavy of the respective engine type, current issue.
- e SI-912-020 / SI-914-022 current issue
See Maintenance Manual Heavy of the respective engine type, current issue.
- f Consisting of 20, 21, 22, 23, 44, 46

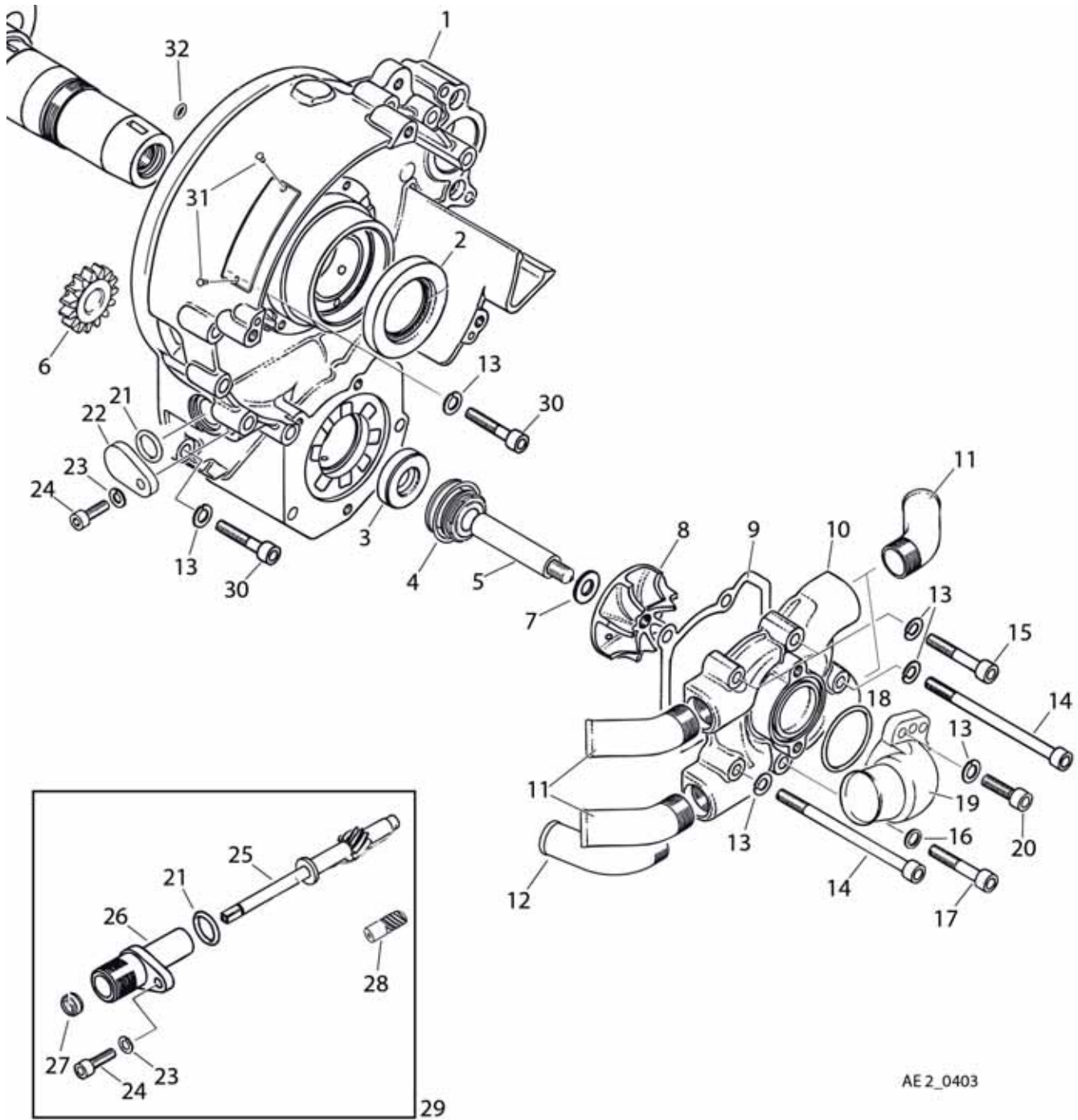
d06599.fm

BRP-Rotax
ILLUSTRATED PARTS CATALOG

INTENTIONALLY LEFT BLANK

d06558.fm

BRP-Rotax
ILLUSTRATED PARTS CATALOG



AE2_0403

Fig. 75-20-00-1

BRP-Rotax
ILLUSTRATED PARTS CATALOG

Chapter) 75-20-00
WATER PUMP WITH DRIVE

FIG. & ITEM NO.	STATUS	PART NO.	INDENT	Description	Parts per Engine						
					912 A	912 F	912 S	912 UL	912 ULS	914 F	914 UL
1 1		612047	.1	IGNITION HOUSING ASSY.	1c	1c	1c	1c	1c	1c	1c
1		612046		IGNITION HOUSING ASSY.	1e	1e	1e	1e	1e	1e	1e
2		850965	.1	OIL SEAL 32x52x7	1	1	1	1	1	1	1
3	N s.v.	850978 850977	.1	OIL SEAL A 12x30x7 FPM	1	1	1	1	1	1	1
4		850946	.1	ROTARY SEAL	1	1	1	1	1	1	1
5		837111	.1	PUMP SHAFT	1	1	1	1	1	1	1
6		834135	.1	WATER PUMP GEAR 15 T	1	1	1	1	1	1	1
7		926274	.1	WASHER 8.2/12.5/1.5	1a	1a	1a	1a	1a	1a	1a
8		922224	.1	IMPELLER	1	1	1	1	1	1	1
9		850981	.1	GASKET	1	1	1	1	1	1	1
10		922202	.1	WATER PUMP HOUSING	1	1	1	1	1	1	1
11	N s.v.	922238 922233	.1	BENT SOCKET 45 DEGREES	3	3	3	3	3	3	3
12	N s.v.	922236 922231	.1	BENT SOCKET 80 DEGREES	1b	1b	1b	1b	1b	1b	1b
13	N	827962	.1	WASHER A6.4	13	13	13	13	13	13	13
14	N n.a.	241482 241481	.1	ALLEN SCREW M6x90	2	2	2	2	2	2	2
15	N n.a.	241814 241811	.1	ALLEN SCREW M6x35	2	2	2	2	2	2	2
16		230415	.1	GASKET RING A6x10	1	1	1	1	1	1	1
17		241813	.1	ALLEN SCREW M6x35 STAINLESS	1a	1a	1a	1a	1a	1a	1a
18		230020	.1	O-RING 32x2	1	1	1	1	1	1	1
19		922218	.1	WATER INLET ELBOW	1	1	1	1	1	1	1
20	N	241935	.1	ALLEN SCREW M6x20	2	2	2	2	2	2	2

- Items not illustrated

d06558.fm

BRP-Rotax
ILLUSTRATED PARTS CATALOG

FIG. & ITEM NO.	STATUS	PART NO.	INDENT	Description	Parts per Engine						
					912 A	912 F	912 S	912 UL	912 ULS	914 F	914 UL
20	s.v.	241930	.1	ALLEN SCREW M6x20	2	2	2	2	2	2	2
21		230880	.1	O-RING 13.3-2.4	1	1	1	1	1	1	1
22		810620	.1	COVER PLATE	1	1	1	1	1	1	1
23	N s.v.	927574 945830	.1	WASHER 5.3	1	1	1	1	1	1	1
24	N n.a.	840514 840511	.1	ALLEN SCREW M5x16	1	1	1	1	1	1	1
25		837150	.1	REV COUNTER SHAFT	1	1	1	1	1	1	1
26		912191	.1	REV COUNTER HOUSING	1	1	1	1	1	1	1
27		930500	.1	OIL SEAL 6x11x3/4.5	1	1	1	1	1	1	1
28		834182	.1	WORM GEAR 5 T.	1d	1d	1d	1d	1d	1d	1d
29+1-8, 13, 30		881692	.1	MECH. REV COUNTER DRIVE RETROFIT KIT	(1d)	(1d)	(1d)	(1d)	(1d)	(1d)	(1d)
30	N s.v.	840888 840880	.1	ALLEN SCREW M6x30	7	7	7	7	7	7	7
31		249071	.1	GROOVED PIN	2	2	2	2	2	2	2

- Items not illustrated

- a Stainless
- b Optional for engine suspension frame
- c For mech. rev counter drive without centering bore for pick up.
For engines without mech. rev. counter drive part no. 230880, 810620, 927574 and part no. 840514 has to be mounted additional.
- d See Maintenance Manual Heavy of the respective engine type, current issue.
- e Without machining for mech. rev counter drive

d06558.fm

BRP-Rotax
ILLUSTRATED PARTS CATALOG

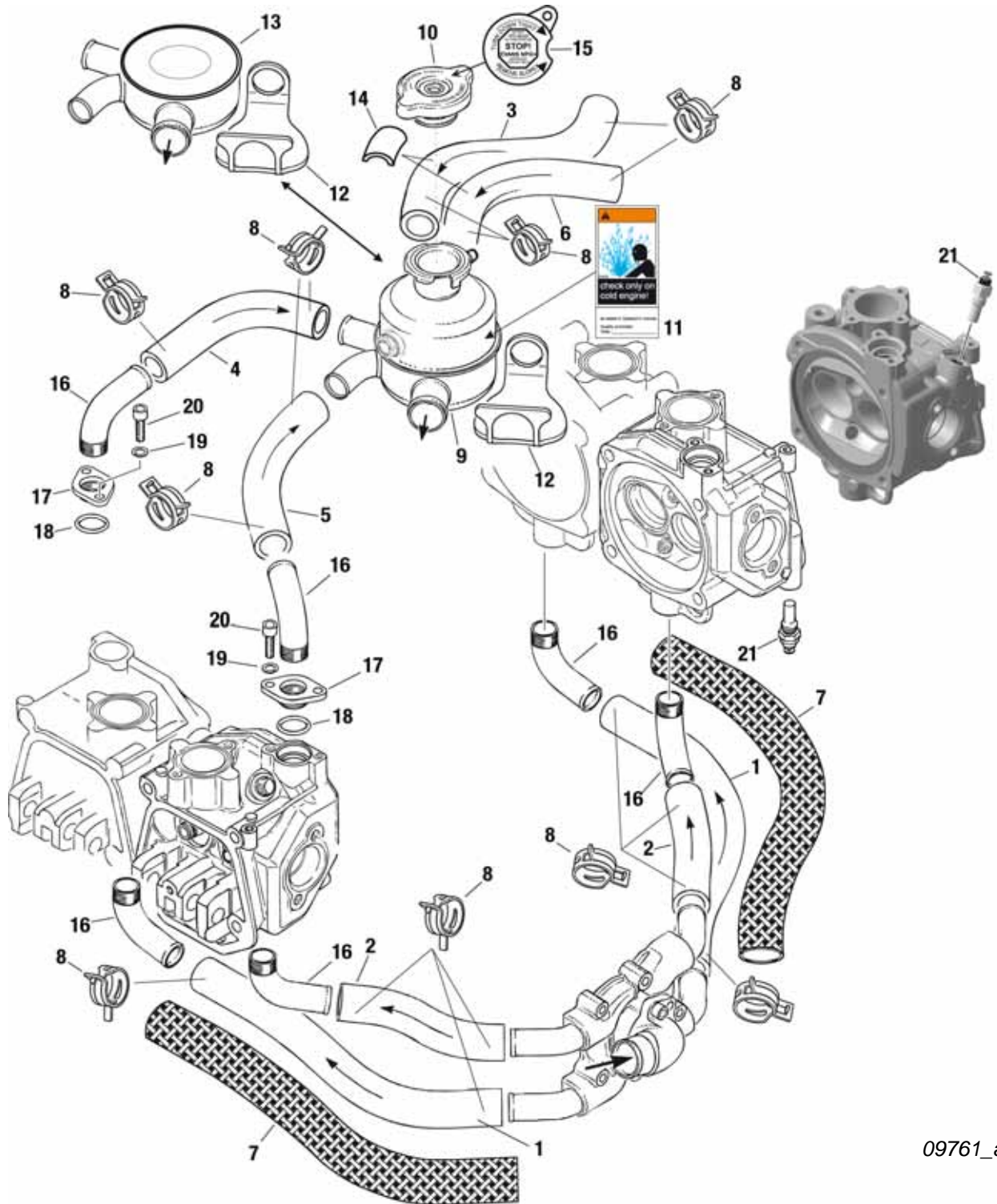


Fig. 75-20-00-2

09761_a

d06558.fm

BRP-Rotax

ILLUSTRATED PARTS CATALOG

Chapter) 75-20-00

EXPANSION TANK WITH HOSES AND CONNECTIONS

FIG. & ITEM NO.	STATUS	PART NO.	INDENT	Description	Parts per Engine						
					912 A	912 F	912 S	912 UL	912 ULS	914 F	914 UL
2 1-5		922250	.1	WATER TUBE	ARh	ARh	ARh	ARh	ARh	ARh	ARh
1		922362	..2	WATER TUBE 280 MM	2a	2a	2a	2a	2a	2a	2a
2		922360	..2	WATER TUBE 180 MM	2b	2b	2b	2b	2b	2b	2b
3		922361	..2	WATER TUBE 285 MM	1c	1c	1c	1c	1c	1c	1c
4		922363	..2	WATER TUBE 200 MM	1f	1f	1f	1f	1f	1f	1f
5		922364	..2	WATER TUBE 85 MM	1g	1g	1g	1g	1g	1g	1g
6		922192	.1	FORM HOSE 90	1e	1e	1e	1e	1e	1e	1e
7		860650	.1	PROTECTION TUBE (HEAT RESISTANT)						ARh	ARh
8		851645	.1	SELF COMPENSATING CLAMP 25	16j	16j	16j	16j	16j	16j	16j
9-12		922666	.1	EXPANSION TANK ASSY.	1j	1j	1j	1j	1j	1j	1j
10	N n.a.	922072 922070	..2	RADIATOR CAP WITH GASKET 1.2 BAR	1j	1j	1j	1j	1j	1j	1j
11		897506	..2	WARNING LABEL	1	1	1	1	1	1	1
12	N s.v.	860829 860826	..2	RUBBER PLATE	1	1	1	1	1	1	1
13	N n.a.	922265 922263	.1	WATER DISTRIBUTOR ASSY.	(1i)	(1i)	(1i)	(1i)	(1i)	(1i)	(1i)
14		922543	.1	SCHUTZSCHLAUCH 30 MM PROTECTION HOSE 30 MM	1d	1d	1d	1d	1d	1d	1d
15		898490	.1	WARNING LABEL EVANS COOLANT	AR	AR	AR	AR	AR	AR	AR
16	N s.v.	922236 922231	.1	BENT SOCKET 80 DEGREES	8	8	8	8	8	8	8
16	N s.v.	922238 922233	.1	BENT SOCKET 45 DEGREES	(8)	(8)	(8)	(8)	(8)	(8)	(8)

- Items not illustrated

d06558.fm

BRP-Rotax

ILLUSTRATED PARTS CATALOG

FIG. & ITEM NO.	STATUS	PART NO.	INDENT	Description	Parts per Engine						
					912 A	912 F	912 S	912 UL	912 ULS	914 F	914 UL
17		922303	.1	FLANGE	4	4	4	4	4	4	4
18		950180	.1	O-RING 19x2	4	4	4	4	4	4	4
19	N s.v.	827962 827961	.1	WASHER A6.4	8	8	8	8	8	8	8
19	N s.v.	945831 945751	.1	LOCK WASHER A6	8	8	8	8	8	8	8
20	N s.v.	241935 241930	.1	ALLEN SCREW M6x20	8	8	8	8	8	8	8
21		965531	.1	TEMPERATURE SENSOR	2j	2j	2j	2j	2j	2j	2j

- Items not illustrated

- a Supply to cylinder 1 and 2
- b Supply to cylinder 3 and 4
- c Discharge Cylinder 1
- d As scrab-protector for version 3
- e Discharge Cylinder 3
- f Discharge Cylinder 2
- g Discharge Cylinder 4
- h In a roll, not with Form 1
- i Water distributor instead expansion tank for radiator installation above engine;
- j See SI-912-020 + SI-914-022 current issue

d06558.fm

BRP-Rotax
ILLUSTRATED PARTS CATALOG

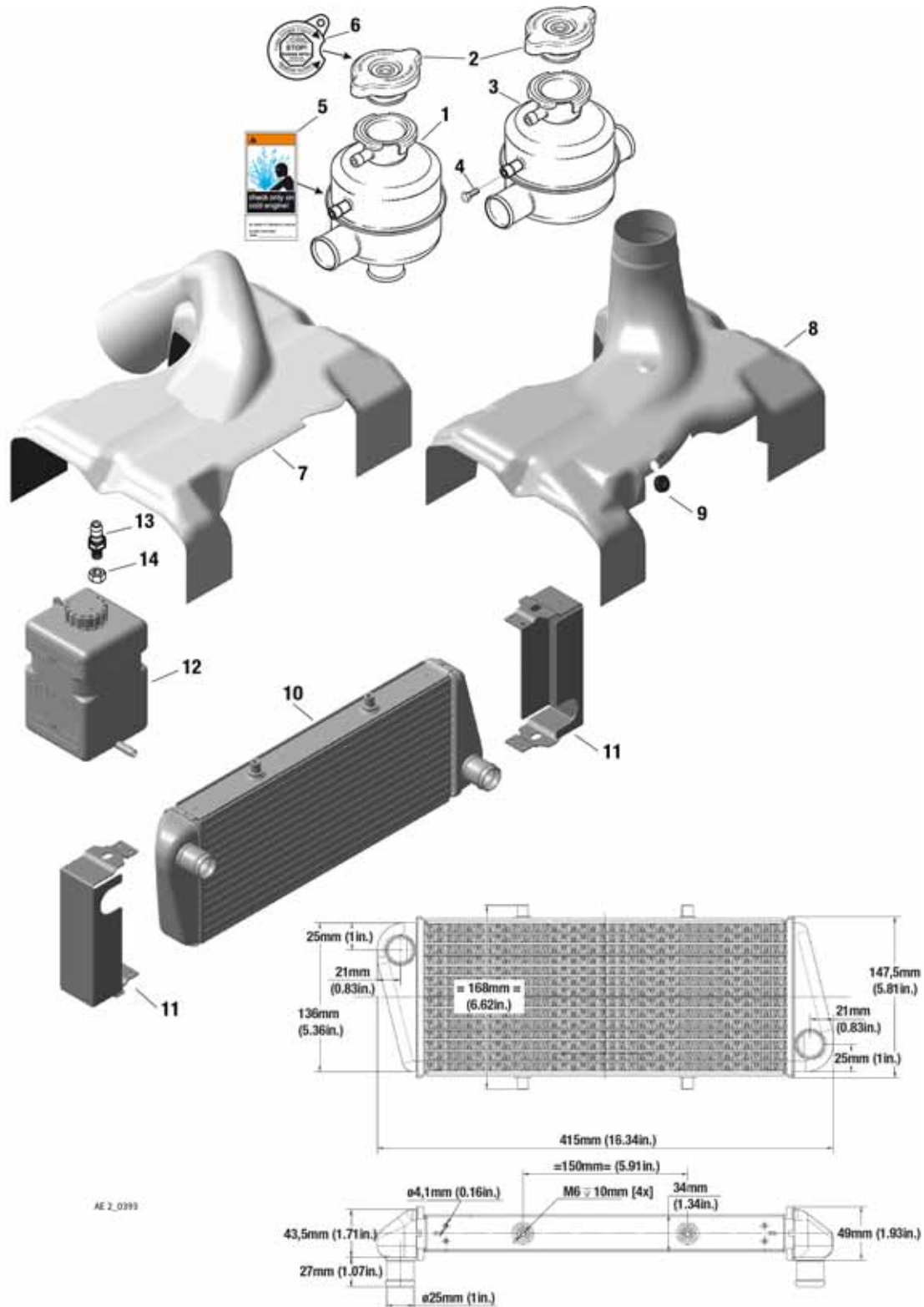


Fig. 75-20-00-3

BRP-Rotax

ILLUSTRATED PARTS CATALOG

Chapter) 75-20-00

COOLING AIR BAFFLE, OVERFLOW BOTTLE WITH CAP, RADIATOR

FIG. & ITEM NO.	STATUS	PART NO.	INDENT	Description	Parts per Engine						
					912 A	912 F	912 S	912 UL	912 ULS	914 F	914 UL
3 1-2	N n.a.	622052 922313	.1	EXPANSION TANK ASSY. 90 DEGREE	(1)	(1)	(1)	(1)	(1)	(1)	(1)
2-3	N n.a.	622053 922318	.1	EXPANSION TANK ASSY. 180 DEGREE	(1)	(1)	(1)	(1)	(1)	(1)	(1)
2		922072	..2	RADIATOR CAP WITH GAS- KET 1.2 BAR	1b	1b	1b	1b	1b	1b	1b
4		641071	.1	HEX. SCREW ISO M6x6	AR	AR	AR	AR	AR	AR	AR
5		897506	.1	WARNING LABEL	1	1	1	1	1	1	1
6		898490	.1	WARNING LABEL EVANS COOLANT	(NB)	(NB)	(NB)	(NB)	(NB)	(NB)	(NB)
7	N s.v.	975793 975795	.1	COOLING AIR BAFFLE	(1)a	(1)a	(1)a	(1)a	(1)a	(1)a	(1)a
7	N s.v	975794 975799	.1	COOLING AIR BAFFLE	(1)i	(1)i	(1)i	(1)i	(1)i	(1)i	(1)i
8-9		975792	.1	COOLING AIR BAFFLE	(1)g	(1)g	(1)g	(1)g	(1)g	(1)g	(1)g
8-9		975798	.1	COOLING AIR BAFFLE	(1)h	(1)h	(1)h	(1)h	(1)h	(1)h	(1)h
9		975799	..2	RUBBER GROMMET	(1)	(1)	(1)	(1)	(1)	(1)	(1)
10	N n.a.	997084 997083	.1	RADIATOR - ADVANCED 13 fins	(1)e	(1)e	(1)e	(1)e	(1)e	(1)e	(1)e
11		881530	.1	RADIATOR RETROFIT KIT	1f	1f	1f	1f	1f	1f	1f
12		922327	.1	OVERFLOW BOTTLE WITH CAP	(1)c	(1)c	(1)c	(1)c	(1)c	(1)c	(1)c
13		940557	.1	HOSE NIPPLE M6	1c	1c	1c	1c	1c	1c	1c
14		242213	.1	HEX. NUT M6	1c	1c	1c	1c	1c	1c	1c

- Items not illustrated

d06558.fm

BRP-Rotax

ILLUSTRATED PARTS CATALOG

- a Short version; marked with S/N; tractor, white
- b See Service Instruction SI-912-020 / SI-914-022 current issue
- c See Service Bulletin SB-912-039 / SB-914-029 current issue
- d See Service Bulletin SB-912-043 / SB-914-029 current issue
- e See Service Instruction PAC-010.
- f Use together with part no. 997083
For retrofitting instead of radiator part no. 997082
- g Cooling air baffle for pusher, color white
- h Cooling air baffle for pusher, color black
- i Cooling air baffle for tractor, color black

d06558.fm

BRP-Rotax
ILLUSTRATED PARTS CATALOG

INTENTIONALLY LEFT BLANK

d06559.fm

BRP-Rotax

ILLUSTRATED PARTS CATALOG

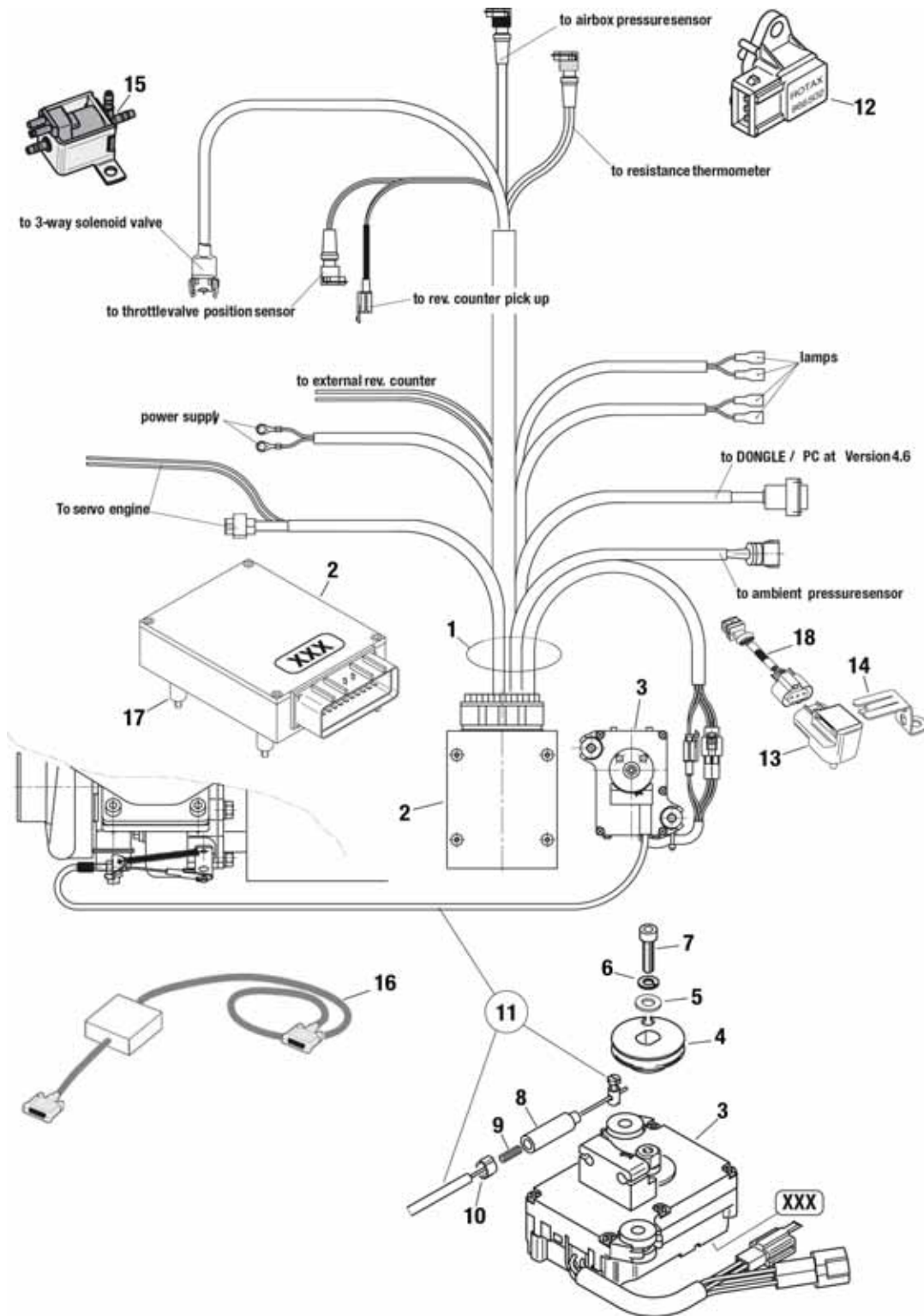


Fig. 76-10-00-1

09783

d06559.fm

BRP-Rotax
ILLUSTRATED PARTS CATALOG
Chapter) 76-10-00
TURBOCHARGER CONTROL UNIT

FIG. & ITEM NO.	STATUS	PART NO.	INDENT	Description	Parts per Engine						
					912 A	912 F	912 S	912 UL	912 ULS	914 F	914 UL
1 1	s.v. N	966494 966495	.1	WIRING HARNESS						1a	1a
2		966741	.1	TURBOCHARGER CONTROL UNIT (TCU) 4.6						1	1
3		295410	.1	SERVO MOTOR						1	1
4		280088	.1	ROPE SHEAVE						1	1
5		926180	.1	WASHER A 5.2x14.8x1.5						1	1
6	N s.v.	945830 945750	.1	LOCK WASHER A5						1	1
7		441341	.1	ALLEN SCREW M5x20						1	1
8		847882	.1	CABLE RETAINER						1	1
9		239015	.1	COMPRESSION SPRING 16.9						1	1
10		853845	.1	CLAMP 5-7 MM						1	1
11		897941	.1	CABLE BOWDEN ASSY.						1	1
12		966502	.1	AIRBOX PRESSURE SENSOR						1	1
13		274051	.1	AMBIENT PRESSURE SENSOR						1a	1a
14		924990	.1	HOLDING BRACKET FOR 274051						(1)a	(1)a
15		xxxxxx	.1	See chapt. 73-10-00, fig. 3						1	1
16		-	.1	CALIBRATION-SET						(1)b	(1)b
17	N s.v.	660772 660771	.1	RUBBER BUFFER 10x15xM4						4	4
18		666012	.1	CONNECTOR CABLE						1c	1c

- Items not illustrated

d06559.fm

BRP-Rotax

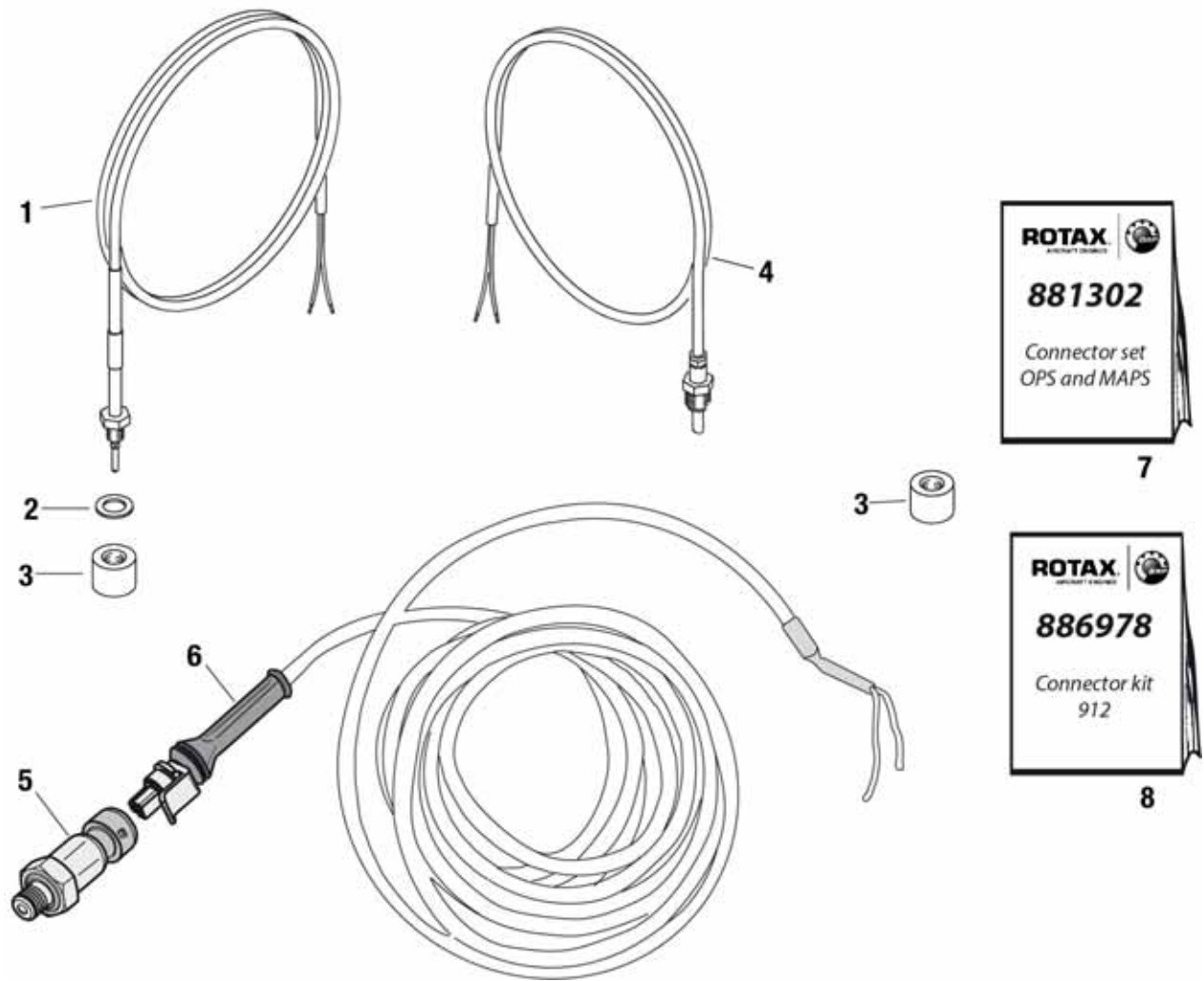
ILLUSTRATED PARTS CATALOG

- a See Service Instruction SI-914-022 current issue
- b For authorized distributors only
- c Connector cable, wiring harness part no. 966492 with sensor part no. 274051
See Service Instruction SI-914-022

d06559.fm

BRP-Rotax
ILLUSTRATED PARTS CATALOG

**CHAPTER INCLUDES ONLY
NOT CERTIFIED PARTS**



10400

Fig. 76-20-00-1

d06560.fm

BRP-Rotax

ILLUSTRATED PARTS CATALOG

Chapter) 76-20-00 FLYDAT, SENSOR SET (all parts optional)

FIG & ITEM NO.	STATUS	PART NO.	INDENT	Description	Parts per Engine						
					912 A	912 F	912 S	912 UL	912 ULS	914 F	914 UL
1	1-6	886978	.1	SENSOR KIT 912				1	1		1
	1	966370	..2	THERMO COUPLE NICR-NI K				4c	4c		4c
	2	950141	..2	GASKET RING A 8x13				4	4		4
	3	842758	..2	WELD-ON NUT M8x1				4b	4b		4b
	4	966385	..2	RESISTANCE THERMO- METER				2a	2a		2a
	5	xxxxxx	..2	See chapt. 79-20-00				1d	1d		1e
	6	xxxxxx	..2	See chapt. 79-20-00				1d	1d		1e
	7	881302	.1	CONNECTOR SET OPS AND MAPS				1e	1e		1f
	8	886978	.1	SENSOR KIT 912				1f	1f		1g

- Items not illustrated

- a For cylinder head
- b For EGT sensor
- c For exhaust gas temperature (EGT);
- d See Service Instruction SI-912-020/SI-914-022, current issue
- e Connector set for part no. 456180 without cable
- f For engine type 912 UL+ULS: 4x EGT, 2x CHT, 1x OPS + small parts

d06560.fm

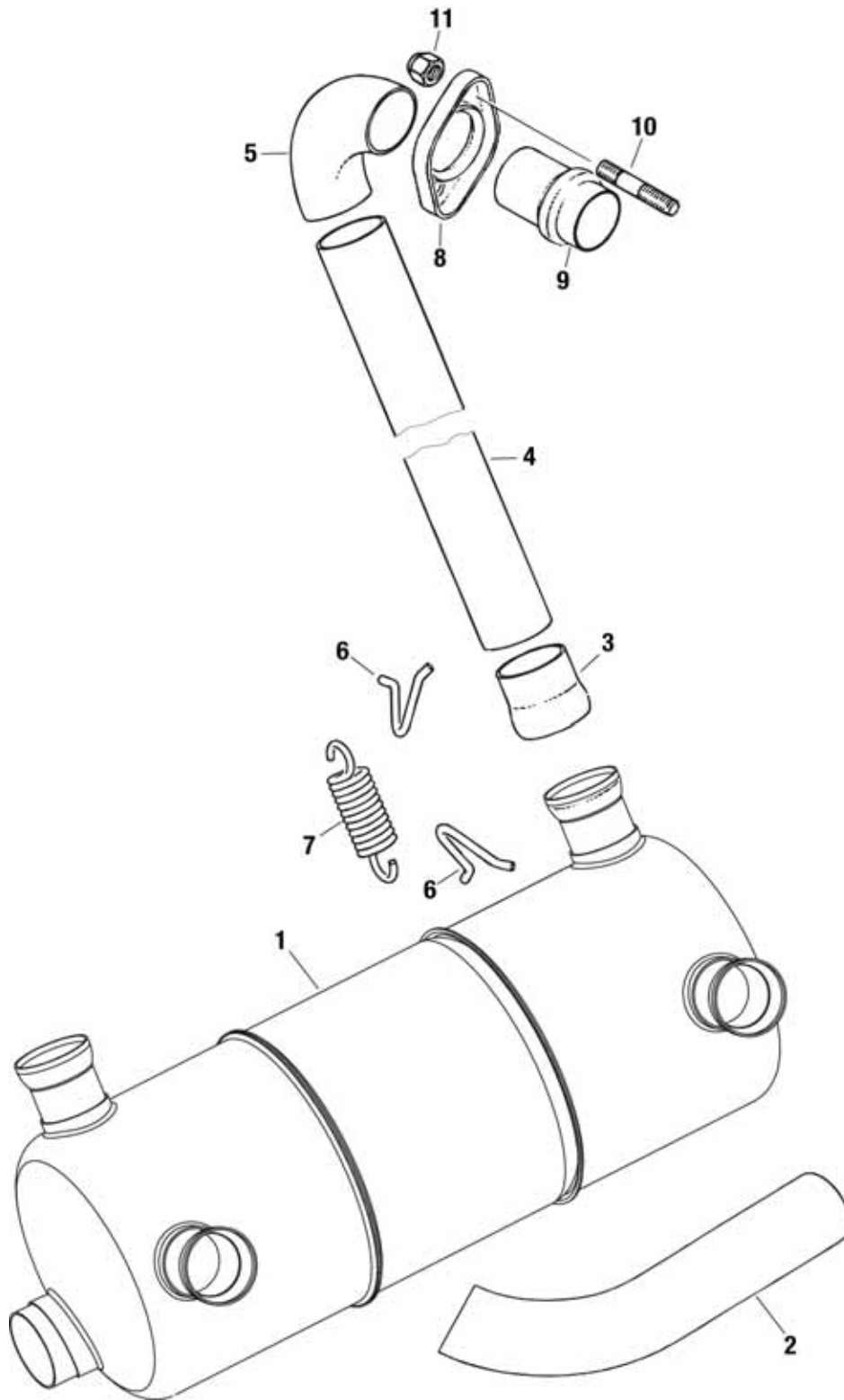
BRP-Rotax
ILLUSTRATED PARTS CATALOG

INTENTIONALLY LEFT BLANK

d06561.fm

BRP-Rotax

ILLUSTRATED PARTS CATALOG



09772

Fig. 78-10-00-2

d06561.fm

BRP-Rotax

ILLUSTRATED PARTS CATALOG

Chapter) 78-10-00

EXHAUST SYSTEM

FIG. & ITEM NO.	STATUS	PART NO.	INDENT	Description	Parts per Engine							
					912 A	912 F	912 S	912 UL	912 ULS	914 F	914 UL	
1 1-7		978489	.1	EXHAUST ASSORTMENT STAINLESS STEEL	(1)b	(1)b		(1)b				
1-7		973676	.1	EXHAUST ASSORTMENT STAINLESS STEEL	(1)	(1)	(1)	(1)	(1)			
1		978060	..2	MUFFLER ASSY. STANDARD	(1)	(1)		(1)				
1		978063	..2	MUFFLER ASSY. STAINLESS	(1)b	(1)b		(1)b				
1		973673	..2	MUFFLER ASSY. STAINLESS	(1)	(1)	(1)	(1)	(1)			
2	N s.v.	978603 978600	..2	EXHAUST ELBOW, STANDARD	(1)	(1)		(1)				
2	N s.v.	978605 978601	..2	EXHAUST ELBOW, STAINLESS	(1)	(1)	(1)	(1)	(1)			
3		978520	..2	BALL JOINT, MALE	(4)	(4)		(4)				
3		978521	..2	BALL JOINT, MALE STAINLESS	(4)	(4)	(4)	(4)	(4)			
4		978997	..2	EXHAUST TUBE 800 MM STANDARD	(2)	(2)	(1)	(2)	(1)			
4		978998	..2	EXHAUST TUBE 800 MM STAINLESS	(2)	(2)	(2)	(2)	(2)			
5	N s.v.	978500 978496	..2	EXHAUST ELBOW ASSY. 1.5 MM STAINLESS	2a	2a	2a	2a	2a	2a	2a	2a
5		978502	..2	EXHAUST ELBOW ASSY. 1.5 MM STANDARD	2a	2a	2a	2a	2a	2a	2a	2a
6		853355	..2	HOOK	(16)	(16)		(16)				
6		853356	..2	HOOK STAINLESS	(16)	(16)	(16)	(16)	(16)			
7	N s.v.	938796 938795	..2	SPRING 66 MM STAINLESS	(8)	(8)	(8)	(8)	(8)			
8	N s.v.	978246 978245	.1	EXHAUST FLANGE	4	4	4	4	4			
9		978252	.1	EXHAUST SOCKET	4	4	4	4	4			

- Items not illustrated

d06561.fm

BRP-Rotax

ILLUSTRATED PARTS CATALOG

FIG. & ITEM NO.	STATUS	PART NO.	INDENT	Description	Parts per Engine						
					912 A	912 F	912 S	912 UL	912 ULS	914 F	914 UL
10	N s.v.	940368 940366	.1	STUD M8x23/20	8	8	8	8	8	8	8
11		842950	.1	LOCK NUT M8-WS12	8	8	8	8	8	8	8

- Items not illustrated

- a 360° anular ring (torus-shaped)
- b For 80 HP engine only! Do not use on 100 HP engine with muffler assy. part no. 978063.

BRP-Rotax
ILLUSTRATED PARTS CATALOG

INTENTIONALLY LEFT BLANK

d06561.fm

BRP-Rotax
ILLUSTRATED PARTS CATALOG

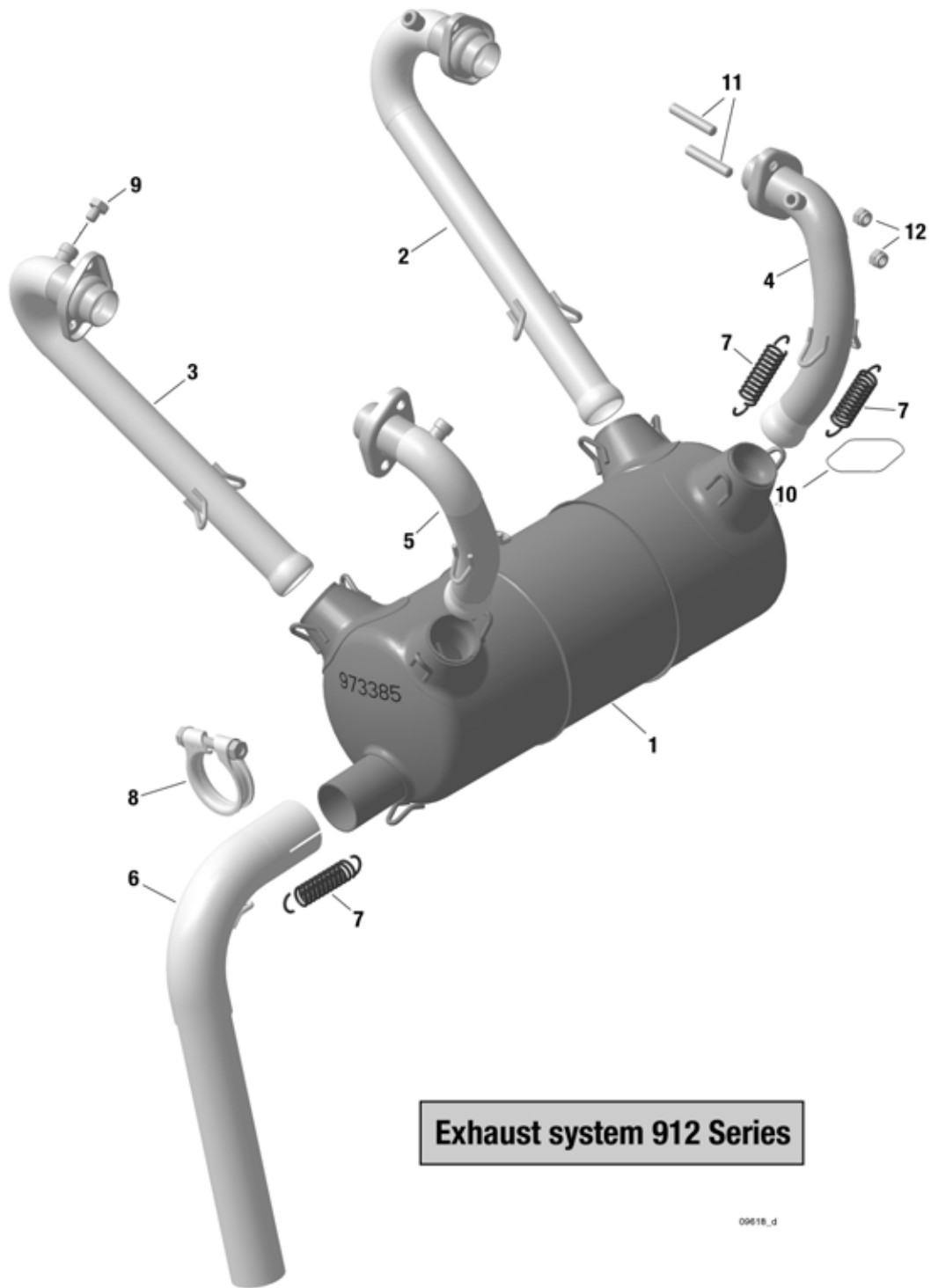


Fig. 78-10-00-2

d06561.fm

BRP-Rotax

ILLUSTRATED PARTS CATALOG

Chapter) 78-10-00

EXHAUST SYSTEM 912 SERIES

FIG. & ITEM NO.	STATUS	PART NO.	INDENT	Description	Parts per Engine						
					912 A	912 F	912 S	912 UL	912 ULS	914 F	914 UL
2 1-9	N s.v.	973383 973387	.1	EXHAUST ASSORTMENT STAIN- LESS STEEL	1	1	1	1	1		
1		973385	..2	MUFFLER ASSY.	1	1	1	1	1		
2		973010	..2	EXHAUST PIPE ASSY. CLY. 1	1	1	1	1	1		
3		973020	..2	EXHAUST PIPE ASSY. CLY. 2	1	1	1	1	1		
4		973030	..2	EXHAUST PIPE ASSY. CLY. 3	1	1	1	1	1		
5		973040	..2	EXHAUST PIPE ASSY. CLY. 4	1	1	1	1	1		
6		973390	..2	EXHAUST ELBOW, STAINLESS	1	1	1	1	1		
7	N s.v.	938796 938795	..2	SPRING 66 MM	9	9	9	9	9		
8		951550	..2	EXHAUST PIPE CLAMP ASSY.	1	1	1	1	1		
9	N s.v.	841115 841113	..2	HEX. SCREW M8X1X10	4	4	4	4	4		
10		297555	.1	SAFETY WIRE 0.8	AR	AR	AR	AR	AR		
11		940366	.1	STUD M8x23/20	8	8	8	8	8		
12		842950	.1	LOCK NUT M8-WS12	8	8	8	8	8		

d06561.fm

BRP-Rotax
ILLUSTRATED PARTS CATALOG

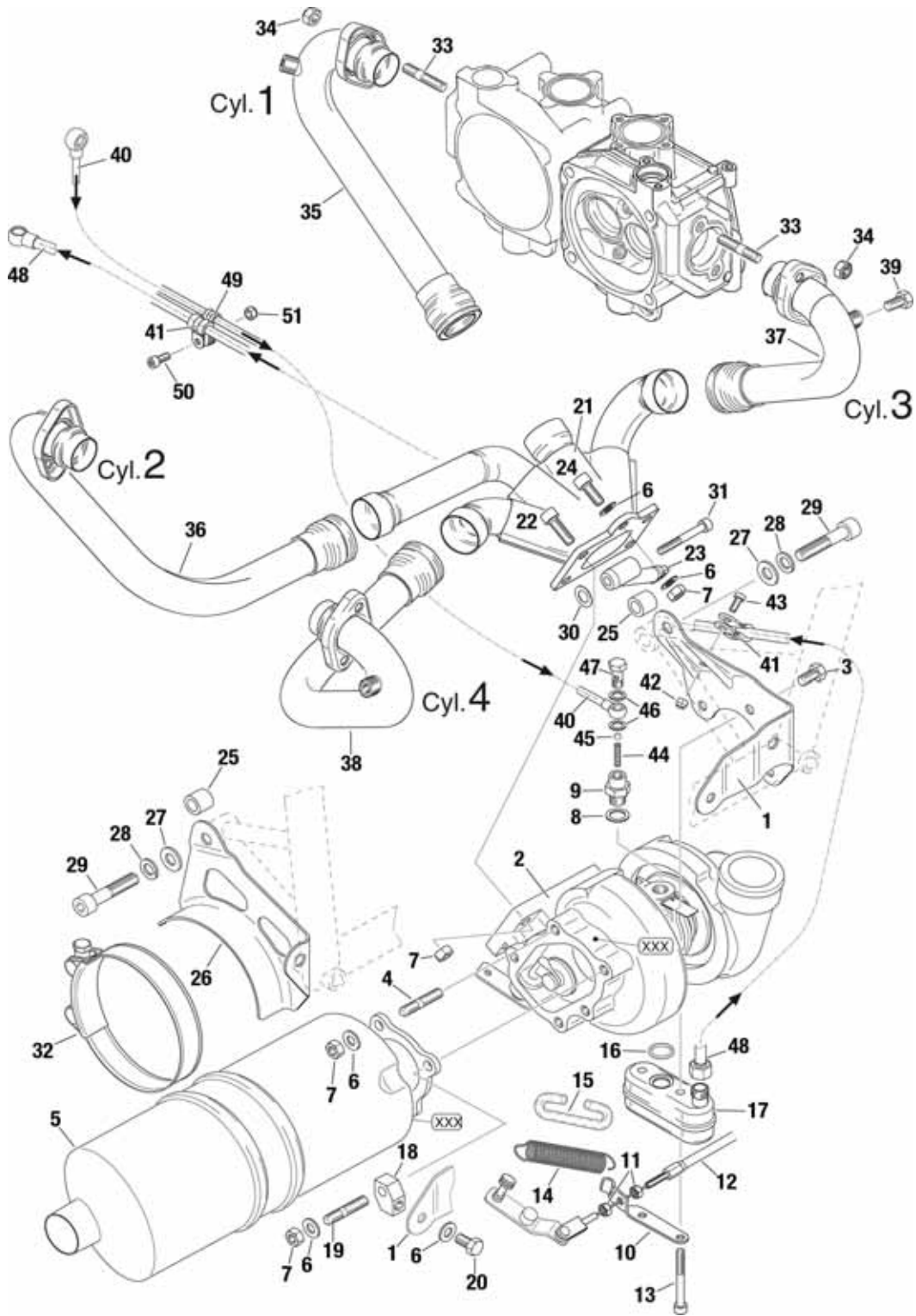


Fig. 78-10-00-2

09771

d06561.fm

BRP-Rotax

ILLUSTRATED PARTS CATALOG

Chapter) 78-10-00

MUFFLER, TURBOCHARGER, OIL SUMP CONTAINER

FIG. & ITEM NO.	STATUS	PART NO.	INDENT	Description	Parts per Engine						
					912 A	912 F	912 S	912 UL	912 ULS	914 F	914 UL
3 1	N	851294	.1	TURBO BRACKET						1	1
2-3		887129	.1	TURBOCHARGER ASSY.						1	1
3		940583	..2	HEX. SCREW M8x16 STAINLESS						4	4
4		940173	..2	STUD M8x19.5/13						4a	4a
5		979407	.1	MUFFLER ASSY. STAINLESS						1	1
6		250313	.1	WASHER 8.4 STAINLESS						8	8
7		242203	.1	HEX. NUT M8 STAINLESS						10	10
8	N s.v.	250646 250640	.1	GASKET A 12x18-CU						1	1
9		956486	.1	VALVE HOUSING						1	1
10		851392	.1	CABLE SUPPORT						1	1
11		242211	.1	HEX. NUT M6						2	2
12		xxxxxx	.1	see chapt. 76-00-00						1	1
13	N s.v.	640601 640600	.1	HEX. SCREW M6x55						2	2
14		838232	.1	TENSION SPRING STAINLESS						1	1
15		960080	.1	SILICONE TUBE 5x8						ARb	ARb
16		430225	.1	O-RING 15.9-2.3						1	1
17		956495	.1	OIL SUMP ASSY.						1	1
18		953280	.1	SUPPORT PLATE						1	1
19		641343	.1	STUD M8x30/13						1	1
20		940583	.1	HEX. SCREW M8x16 STAINLESS						1	1
21	N	979416	.1	EXHAUST MANIFOLD ASSY.						1a	1a
22		240083	.1	ALLEN SCREW M8x25 STAINLESS						4	4
23	N s.v.	953304 953303	.1	MANIFOLD BRACKET ASSY. STAINLESS						1	1

d06561r.fm

BRP-Rotax
ILLUSTRATED PARTS CATALOG

FIG. & ITEM NO.	STATUS	PART NO.	INDENT	Description	Parts per Engine						
					912 A	912 F	912 S	912 UL	912 ULS	914 F	914 UL
24	N s.v.	240083 240073	.1	ALLEN SCREW M8x25 STAINLESS ALLEN SCREW M8x20 STAINLESS						1e 1	1e 1
25		847841	.1	DISTANZHUELSE 10,5/17/15 SPACER 10.5/17/15						2	2
26		851303	.1	EXHAUST BRACKET						1	1
27	N n.a.	927411 927410	.1	WASHER 10.5						2	2
28	N s.v.	945833 945753	.1	LOCK WASHER A10						2	2
29		640572	.1	ALLEN SCREW M10x50						2	2
30		xxxxxx	.1	See chapt. 72-20-00 pos. 38						AR	AR
31		xxxxxx	.1	See chapt. 72-20-00 pos. 36						AR	AR
32		851312	.1	CLAMP 120						1	1
33		xxxxxx	.1	See fig. 1 pos. 10	8	8	8	8	8	8	8
34		xxxxxx	.1	See fig. 1 pos. 11	8	8	8	8	8	8	8
35		979427	.1	EXHAUST PIPE ASSY. CYL. 1						1da	1da
36		979437	.1	EXHAUST PIPE ASSY. CYL. 2						1da	1da
37		979447	.1	EXHAUST PIPE ASSY. CYL. 3						1da	1da
38		979457	.1	EXHAUST PIPE ASSY. CYL. 4						1da	1da
39	N s.v.	841115 841113	.1	HEX. SCREW M8x1x10						4	4
40		956476	.1	TURBO PRESSURE OIL LINE						1	1
41		851111	.1	CABLE CLAMP 8/M5						2	2
42		942021	.1	LOCK NUT M5						1	1
43	N n.a.	241842 241841	.1	ALLEN SCREW M5x12						1	1
44	N n.a.	239131 239130	.1	COMPRESSION SPRING 22,0						1	1
45		232440	.1	BALL 5.556 MM						1	1
46		950141	.1	GASKET RING A 8x13						2	2

d06561.fm

BRP-Rotax

ILLUSTRATED PARTS CATALOG

FIG. & ITEM NO.	STATUS	PART NO.	INDENT	Description	Parts per Engine						
					912 A	912 F	912 S	912 UL	912 ULS	914 F	914 UL
47		840730	.1	BANJO BOLT M8x1x17						1c	1c
48		956470	.1	TURBO OIL SUCTION LINE						1	1
49		851116	.1	CABLE CLAMP 5/M5						2	2
50	N n.a.	241842 241841	.1	ALLEN SCREW M5x12						2	2
51		942021	.1	LOCK NUT M5						2	2

- a Stainless
- b In a roll
- c With imprinting „oil“;
- d See Service Instruction SI-914-022 current issue
- e additional washer part no. 250313 with manifold bracket part no. 953304

d06561.fm

BRP-Rotax

ILLUSTRATED PARTS CATALOG

INTENTIONALLY LEFT BLANK

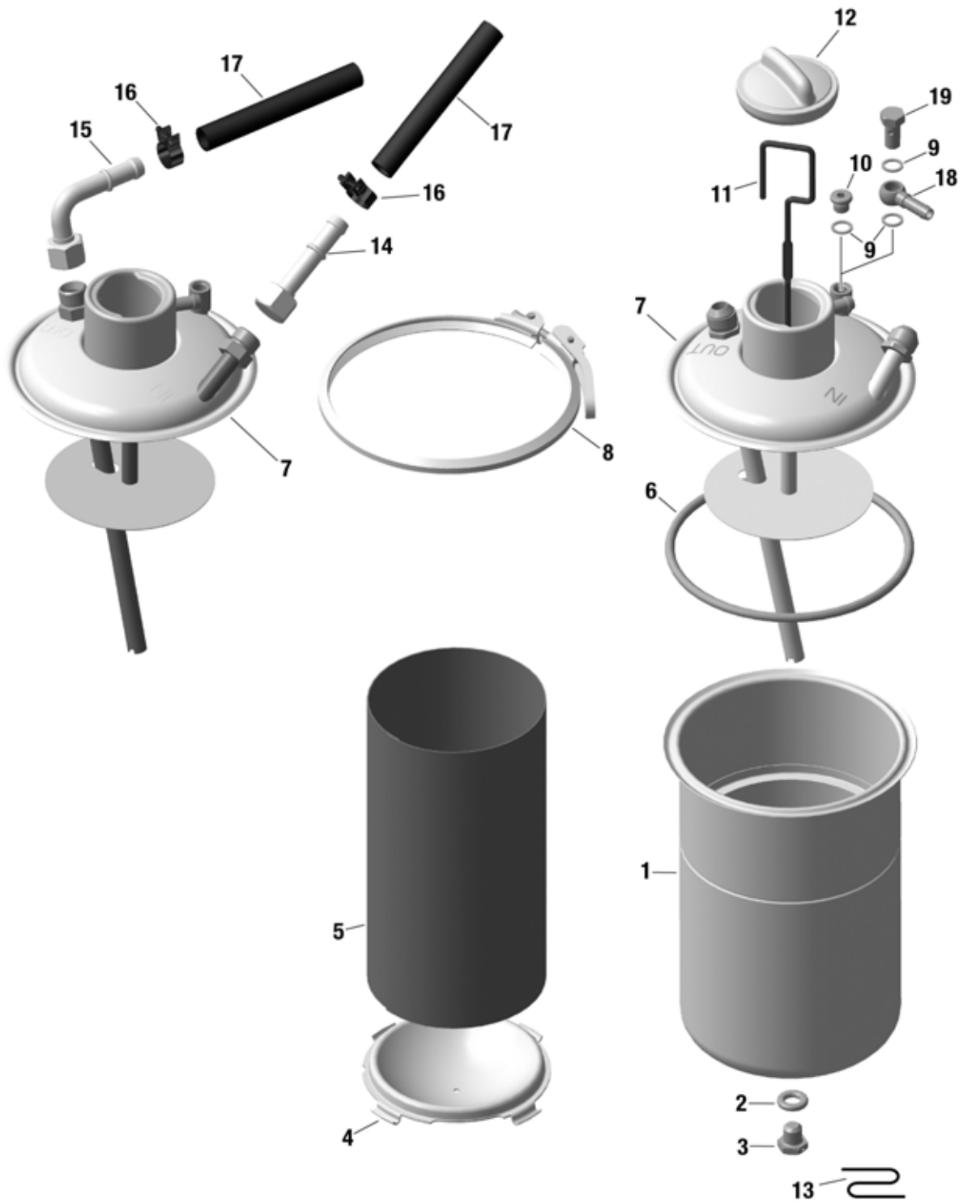
d06561.fm

BRP-Rotax
ILLUSTRATED PARTS CATALOG

INTENTIONALLY LEFT BLANK

d06648.fm

BRP-Rotax
ILLUSTRATED PARTS CATALOG



09750

Fig. 79-20-00-1

d06648.fm

BRP-Rotax

ILLUSTRATED PARTS CATALOG

Chapter) 79-20-00

OIL TANK

FIG. & ITEM NO.	STATUS	PART NO.	INDENT	Description	Parts per Engine						
					912 A	912 F	912 S	912 UL	912 ULS	914 F	914 UL
1 1-12	s.v.	956503	.1	OIL TANK ASSY. METRIC M18x1.5	1	1	1	1	1	1	1
1-12	N	656865	.1	OIL TANK ASSY. METRIC M18x1.5	1	1	1	1	1	1	1
1-12	s.v.	956508	.1	OIL TANK ASSY. UNF 3/4-16	1	1	1	1	1	1	1
	N	656860	.1	OIL TANK ASSY. UNF 3/4-16	1	1	1	1	1	1	1
2		250010	..2	GASKET RING C 12x18	1	1	1	1	1	1	1
3	N	241408	..2	HEX. SCREW M12x12	1	1	1	1	1	1	1
	s.v.	241403									
4	n.a.		..2	PARTITION 2	1	1	1	1	1	1	1
5		956204	..2	BAFFLE INSERT	1	1	1	1	1	1	1
6		850491	..2	O-RING 145x6	1	1	1	1	1	1	1
7	n.a.		..2	OIL TANK COVER ASSY. UNF	1	1	1	1	1	1	1
7	n.a.		..2	OIL TANK COVER ASSY. METRIC	1	1	1	1	1	1	1
8		951817	..2	PROFILE CLAMP 163	1	1	1	1	1	1	1
9		230150	..2	SEALING RING A 10x14	1	1	1	1	1	2	2
10		641733	..2	PLUG SCREW M10x1	1	1	1	1	1		
11		956151	..2	OIL DIPSTICK	1a	1a	1a	1a	1a	1a	1a
12		974647	..2	OIL TANK COVER, WITHOUT VENTING	1	1	1	1	1	1	1
13		297555	.1	SAFETY WIRE 0.8	AR	AR	AR	AR	AR	AR	AR
14		956610	.1	HOSE NIPPLE WITH UNION NUT	1c	1c	1c	1c	1c	1c	1c
15		956580	.1	BENT SOCKET	1c	1c	1c	1c	1c	1c	1c
16	N	951826	.1	HOSE CLAMP 19x9	4	4	4	4	4	4	4

- Items not illustrated

d06648.fm

BRP-Rotax

ILLUSTRATED PARTS CATALOG

FIG. & ITEM NO.	STATUS	PART NO.	INDENT	Description	Parts per Engine						
					912 A	912 F	912 S	912 UL	912 ULS	914 F	914 UL
17	N s.v.	956394 956390	.1	OIL TUBE OLNS 1 12x19				ARb	ARb		ARb
18		956314	.1	HOSE NIPPLE 4/6						1	1
19	N s.v.	241073 940874	.1	BANJO BOLT M10x1x19 BANJO BOLT M10x1x19						1	1

- Items not illustrated

- a See SB-912-040, SB-914-026 current issue
- b In a roll, not with Form 1
- c with metric connection thread M18x1.5

d06648.fm

BRP-Rotax
ILLUSTRATED PARTS CATALOG

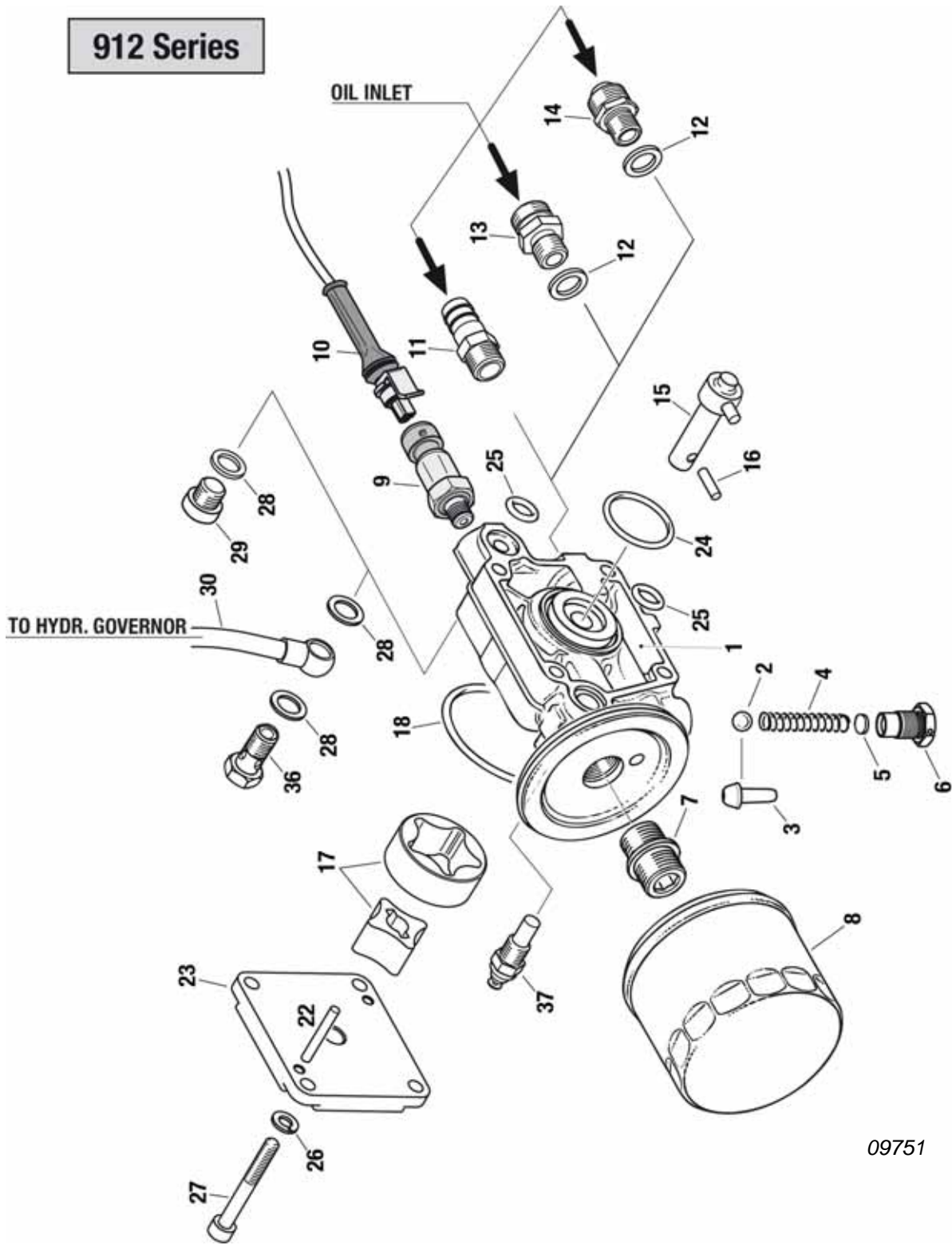
INTENTIONALLY LEFT BLANK

d06648.fm

BRP-Rotax

ILLUSTRATED PARTS CATALOG

912 Series



09751

Fig. 79-20-00-2

d06648.fm

BRP-Rotax

ILLUSTRATED PARTS CATALOG

Chapter) 79-20-00

OIL PUMP ASSY., OIL FILTER, OIL TEMPERATURE SENSOR, OIL PRESSURE SENSOR

FIG. & ITEM NO.	STATUS	PART NO.	INDENT	Description	Parts per Engine						
					912 A	912 F	912 S	912 UL	912 ULS	914 F	914 UL
2, 3		911815	.1	OIL PUMPE HOUSING ASSY.	1	1	1	1	1	1	1
2		432680	.1	BALL 8.5 MM	1	1	1	1	1	1	1
3		857230	.1	VALVE PISTON	(1)	(1)	(1)	(1)	(1)	(1)	(1)
4		838122	.1	PRESSURE SPRING DM 7.1 D 0.9 L 39.5	1	1	1	1	1	1	1
5		227055	.1	SHIM 8.2x1.5	AR	AR	AR	AR	AR	AR	AR
6		841983	.1	PLUG SCREW M12x1	1	1	1	1	1	1	1
7		924424	.1	OIL FILTER NIPPLE	1	1	1	1	1	1	1
8		825016	.1	OIL FILTER	1	1	1	1	1	1	1
9	n.a.	956413	.1	OIL PRESSURE SENSOR	1	1	1	1	1	1	1
9		456180	.1	OIL PRESSURE SENSOR ASSY.	1a	1a	1a	1a	1a	1a	1a
10		864250	.1	OIL PRESSURE SENSOR WIRE ASSY.	1a	1a	1a	1a	1a	1a	1a
11		881302	.1	CONNECTOR KIT	1b	1b	1b	1b	1b	1b	1b

- Items not illustrated

a see SI 912-020/914-022

b without wire

d06648.fm

BRP-Rotax
ILLUSTRATED PARTS CATALOG

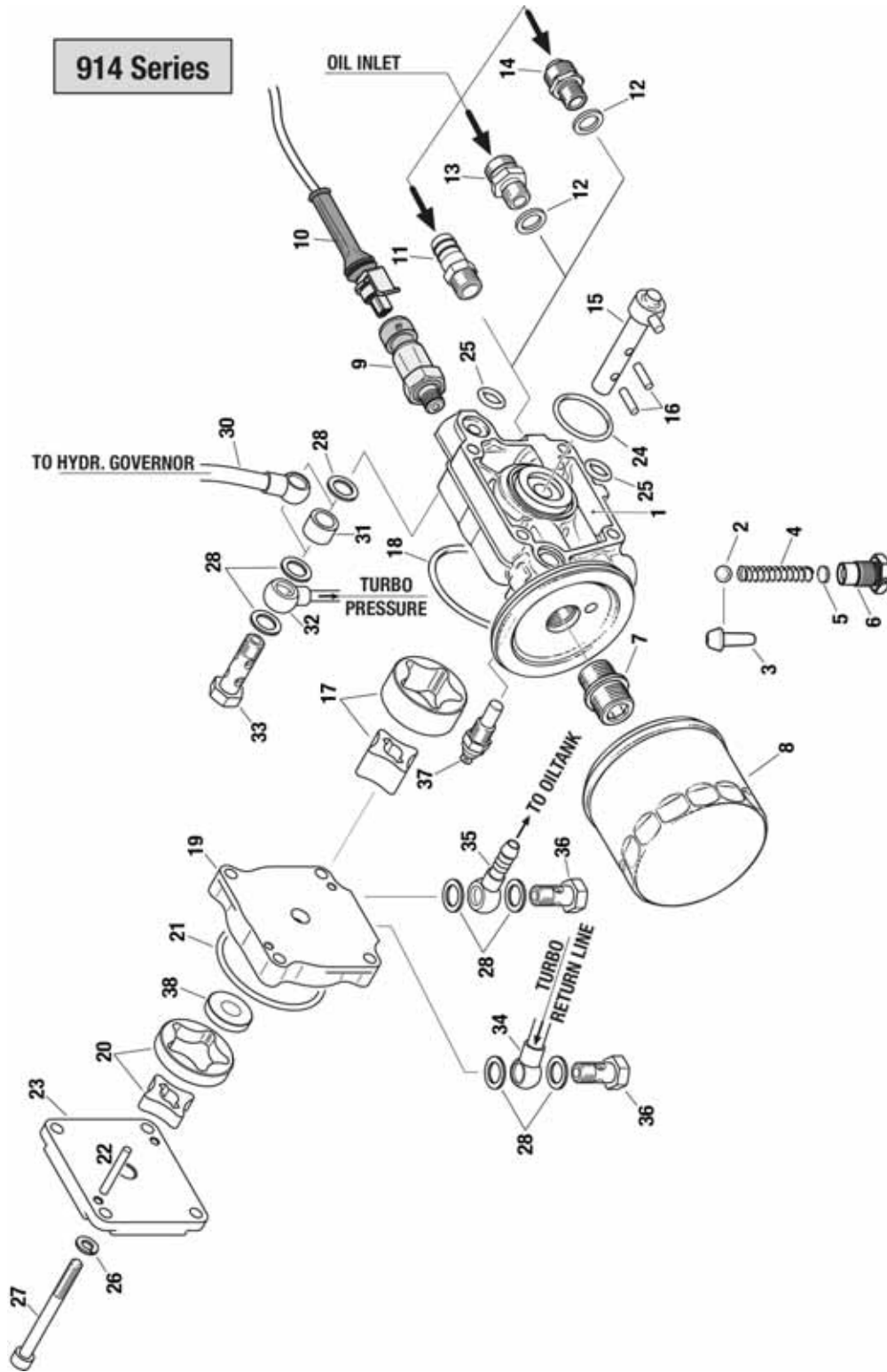


Fig. 79-20-00-3

09752

d06648.fm

BRP-Rotax

ILLUSTRATED PARTS CATALOG

FIG. & ITEM NO.	STATUS	PART NO.	INDENT	Description	Parts per Engine						
					912 A	912 F	912 S	912 UL	912 ULS	914 F	914 UL
2, 11 3		840461	.1	NIPPLE 13.2/9.5-M14x1.5	1			1	1		1
12		230387	.1	GASKET RING 14.2/18/2	1	1	1	1	1	1	1
13		956577	.1	ADAPTOR M18x1.5/M14x1.5	1	1	1	(1)	(1)	1	(1)
14		956641	.1	ADAPTOR 3/4-16 UNF/ M14x1.5	1	1	1	1	1	1	1
15		837127	.1	OIL PUMP SHAFT ASSY.						1	1
15		837129	.1	OIL PUMP SHAFT ASSY.	1	1	1	1	1		
16	N s.v.	232732 232731	.1	NEEDLE PIN 4x15,8 G3	1	1	1	1	1	2	2
17		956278	.1	SUCTION INNER AND OUTER ROTOR ASSY.	1	1	1	1	1	1	1
18		430405	.1	O-RING 57x3	1	1	1	1	1	1	1
19	N s.v.	810595 810592	.1	OIL PUMP HOUSING						1e 1	1e 1
20		256346	.1	PRESSURE INNER AND OU- TER ROTOR						1	1
21		430175	.1	O-RING 46x3						1	1
22	N s.v.	232432 232431	.1	NEEDLE PIN B 4x29.8 G5						2	2
22	N s.v.	232731 232732	.1	NEEDLE PIN B 4x15.8 G3	2	2	2	2	2		
23		911711	.1	OIL PUMP COVER	1	1	1	1	1	1	1
24		950410	.1	O-RING 30x2.5	1	1	1	1	1	1	1
25		250460	.1	O-RING 11x2.7	2	2	2	2	2	2	2
26	N s.v.	827962 827961	.1	Washer A6.4	4	4	4	4	4	4	4
27	N n.a.	241263 241261	.1	ALLEN SCREW M6x65						4	4
27	N n.a.	241762 241761	.1	ALLEN SCREW M6x50	4	4	4	4	4		

d06648.fm

BRP-Rotax

ILLUSTRATED PARTS CATALOG

FIG. & ITEM NO.	STATUS	PART NO.	INDENT	Description	Parts per Engine						
					912 A	912 F	912 S	912 UL	912 ULS	914 F	914 UL
28		230150	.1	SEALING RING 10x14	2	2	2	2	2	7	7
29		641733	.1	PLUG SCREW M10x1	1	1	1	1	1		
30		xxxxxx	.1	See chapt. 61-20-00	1	1	1	1	1	1	1
31		847228	.1	SPACER 10.5/15/10						1	1
32		xxxxxx	.1	See chapt. 78-10-00						1	1
33	N	241072	.1	BANJO BOLT M10x1x30						1f	1f
	N	940877		BANJO BOLT M10x1x34						1f	1f
	n.a.	940873		BANJO BOLT M10x1x30						1	1
34		xxxxxx	.1	See chapt. 78-10-00						1	1
35		956314	.1	HOSE NIPPLE 4/6						1	1
36	N	240073	.1	BANJO BOLT M10x1x19	1	1	1	1	1	2f	2f
	N	940876		BANJO BOLT M10x1x 23	1	1	1	1	1	2f	2f
	n.a.	940874		BANJO BOLT M10x1x19							
37		965531	.1	TEMPERATURE SENSOR	1	1	1	1	1	1	1
38		430105	.1	OIL SEAL 10x18x4						1e	1e
39		xxx	.1	CONNECTOR SET OPS AND MAPS See chapt. 76-20-00	1d	1d	1d	1d	1d	1d	1d

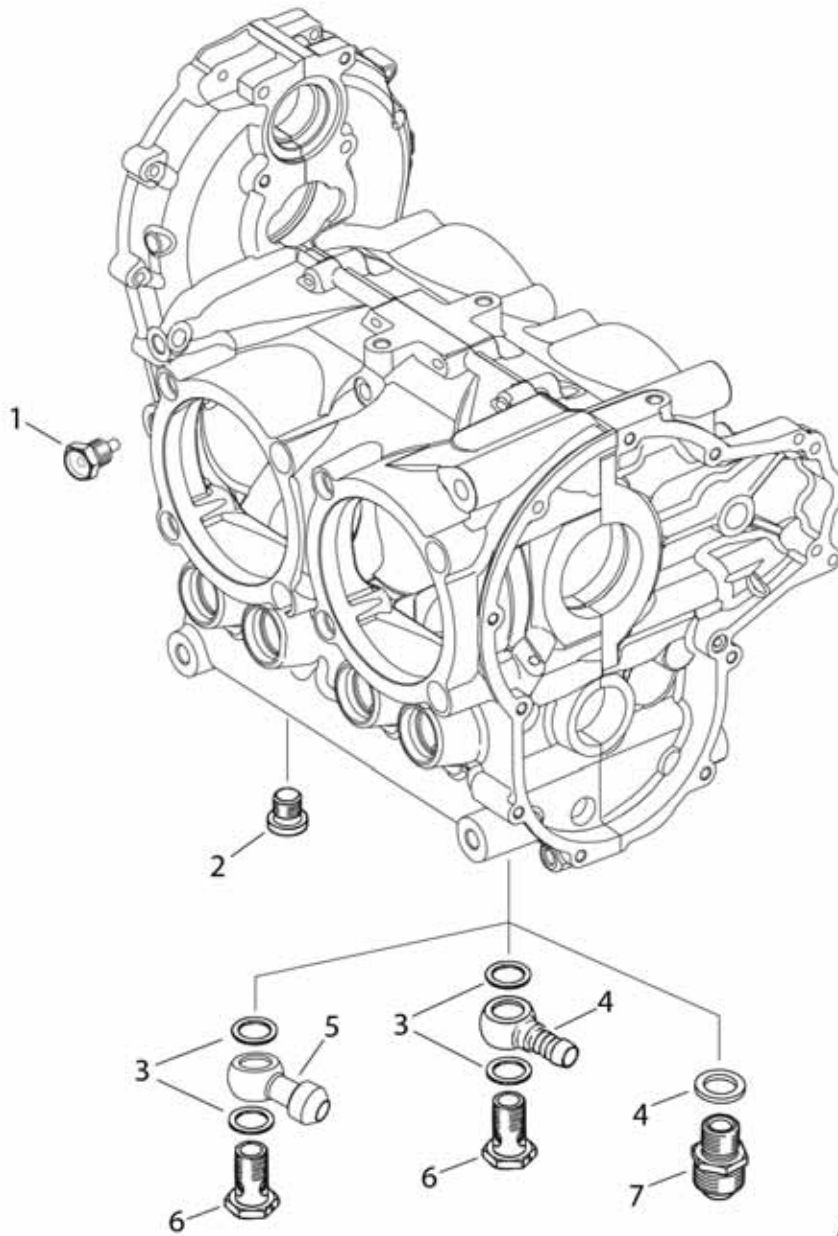
d for oil pressure sensor part no. 456180

e oil seal together with part no. 850595

f see latest issue of MMH Heavy, check depth of thread in oil pump housing

d06648.fm

BRP-Rotax
ILLUSTRATED PARTS CATALOG



AE 2_0402

Fig. 79-20-00-4

BRP-Rotax

ILLUSTRATED PARTS CATALOG

Chapter) 79-20-00

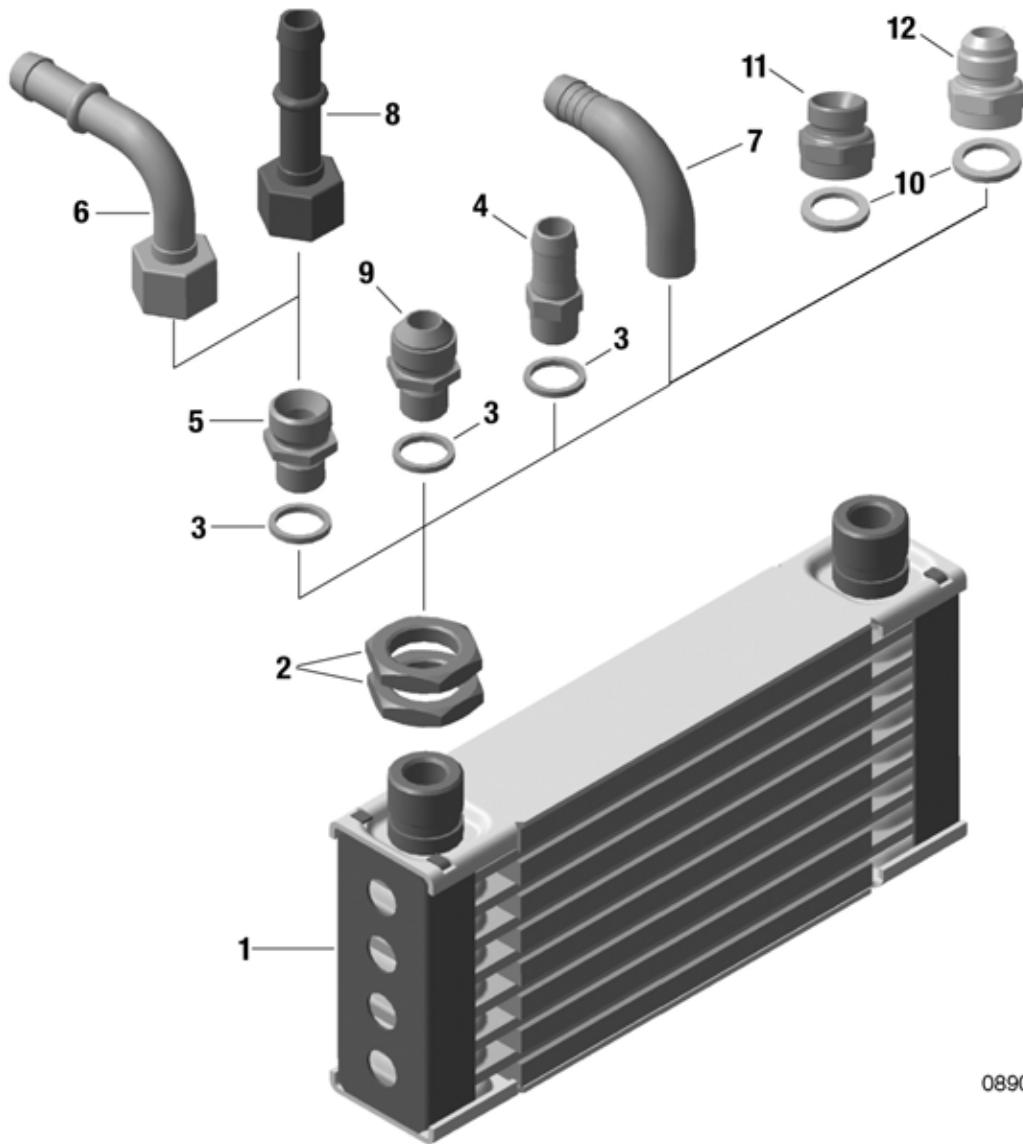
MAGNETIC DRAIN PLUG, PLUG SCREW

FIG. & ITEM NO.	STATUS	PART NO.	INDENT	Description	Parts per Engine						
					912 A	912 F	912 S	912 UL	912 ULS	914 F	914 UL
4 1		241785	.1	MAGNETIC DRAIN PLUG M12x1.5	1	1	1	1	1	1	1
2		240234	.1	PLUG SCREW M16x1.5	1	1	1	1	1	1	1
3		430622	.1	GASKET RING A 16x22	2	2	2	2	2	2	2
4		956315	.1	HOSE NIPPLE 10	1	1	1	1	1	1	1
5		956050	.1	HOSE NIPPLE 16	1a	1a	1a	1a	1a	1a	1a
6		940879	.1	BANJO BOLT M16x1.5x28	1	1	1	1	1	1	1
7		956651	.1	ADAPTER 3/4-16 UNF/ M16x1.5	1	1	1	1	1	1	1

- a Following Service Instruction has to be noticed:
 SI-912-003 current issue
 SI-914-005

d06648.fm

BRP-Rotax
ILLUSTRATED PARTS CATALOG



08900_a

Fig. 79-20-00-5

BRP-Rotax

ILLUSTRATED PARTS CATALOG

Chapter) 79-20-00

OIL RADIATOR

FIG. & ITEM NO.	STATUS	PART NO.	INDENT	Description	Parts per Engine						
					912 A	912 F	912 S	912 UL	912 ULS	914 F	914 UL
5 1-4	N s.v.	886011 886032	.1	OIL RADIATOR SET	(1)g ad	(1)g ad		(1)g ad	(1)g ad		(1)g ad
1-4	N s.v.	886012 886033	.1	OIL RADIATOR SET	(1)g bd	(1)g bd	(1)g bd	(1)g bd	(1)g bd		(1)g bd
1-4	N s.v.	886013 886034	.1	OIL RADIATOR SET METRIC	(1)c dg	(1)c dg	(1)c dg	(1)c dg	(1)c dg	(1)c dg	(1)c dg
1,2, 3,9	N s.v.	886015 886036	.1	OIL RADIATOR SET UNF	(1)e cg	(1)e cg	(1)e cg	(1)e cg	(1)e cg	(1)e cg	(1)e cg
1	N s.v.	886001 886000	..2	OIL RADIATOR	(1)a fg	(1)a fg		(1)a fg			
1	N s.v.	886003 886002	..2	OIL RADIATOR	(1)b fg	(1)b fg	(1)b fg	(1)b fg	(1)b fg		
1	N s.v.	886005 886004	..2	OIL RADIATOR	(1)c fg	(1)c fg	(1)c fg	(1)c fg	(1)c fg	(1)c fg	(1)c fg
2	N	242873	..2	HEX NUT M22x1.5	(4)h	(4)h	(4)h	(4)h	(4)h	(4)h	(4)h
2	s.v.	242879	..2	HEX NUT M22x1.5	(4)h	(4)h	(4)h	(4)h	(4)h	(4)h	(4)h
3		230387	..2	GASKET RING 14.2/18/2	(2)h	(2)h	(2)h	(2)h	(2)h	(2)h	(2)h
4		840461	.2	NIPPLE 13.2/9.5-M14x1.5	(2)h	(2)h	(2)h	(2)h	(2)h	(2)h	(2)h
5		956577	.1	ADAPTER M18x1.5/M14x1.5	(2)h	(2)h	(2)h	(2)h	(2)h	(2)i	(2)h
6		956580	.1	BENT SOCKET ASSY.	ARh	ARh	ARh	ARh	ARh	ARh	ARh
7		924585	.1	ANGULAR TUBE M14x1.5	ARh	ARh	ARh	ARh	ARh	ARh	ARh
8		956610	.1	HOSE NIPPLE WITH UNION NUT	ARh	ARh	ARh	ARh	ARh	ARh	ARh
9		956643	.1	ADAPTER 3/4-16 UNF/ M14x1.5	(2)h	(2)h	(2)h	(2)h	(2)h	(2)h	(2)h
3,5, 8		956615	.1	SCREW CONNECTION SET STRAIGHT	(1)h	(1)h	(1)h	(1)h	(1)h	(1)h	(1)h

- Items not illustrated

d06648.fm

BRP-Rotax

ILLUSTRATED PARTS CATALOG

FIG. & ITEM NO.	STATUS	PART NO.	INDENT	Description	Parts per Engine						
					912 A	912 F	912 S	912 UL	912 ULS	914 F	914 UL
3,5, 6		956585	.1	SCREW CONNECTION SET BENT	(1)h	(1)h	(1)h	(1)h	(1)h	(1)h	(1)h
2,3, 9		956645	.1	SCREW CONNECTION SET UNF	(1)h	(1)h	(1)h	(1)h	(1)h	(1)h	(1)h
10		250735	.1	GASKET RING A 14x20	(2)h	(2)h	(2)h	(2)h	(2)h	(2)h	(2)h
11		956685	.1	ADAPTER M22x1.5/M22x1.5	(2)h	(2)h	(2)h	(2)h	(2)h	(2)h	(2)h
12		956680	.1	Adapter 7/8-14 UNF/ M22x1.5	(2)h	(2)h	(2)h	(2)h	(2)h	(2)h	(2)h

- Items not illustrated

- a Cooling area 125 cm² / 19.38 sq in
- b Cooling area 142 cm² / 22 sq in
- c Cooling area 234 cm² / 36.27 sq in
- d Metric connections
- e UNF connections
- f Height of connectors for 5 mm reduced
- g See SI-912-024, SI-912 i-008, SI-914-025
- h See SI-PAC-013

d06648.fm

BRP-Rotax
ILLUSTRATED PARTS CATALOG

INTENTIONALLY LEFT BLANK

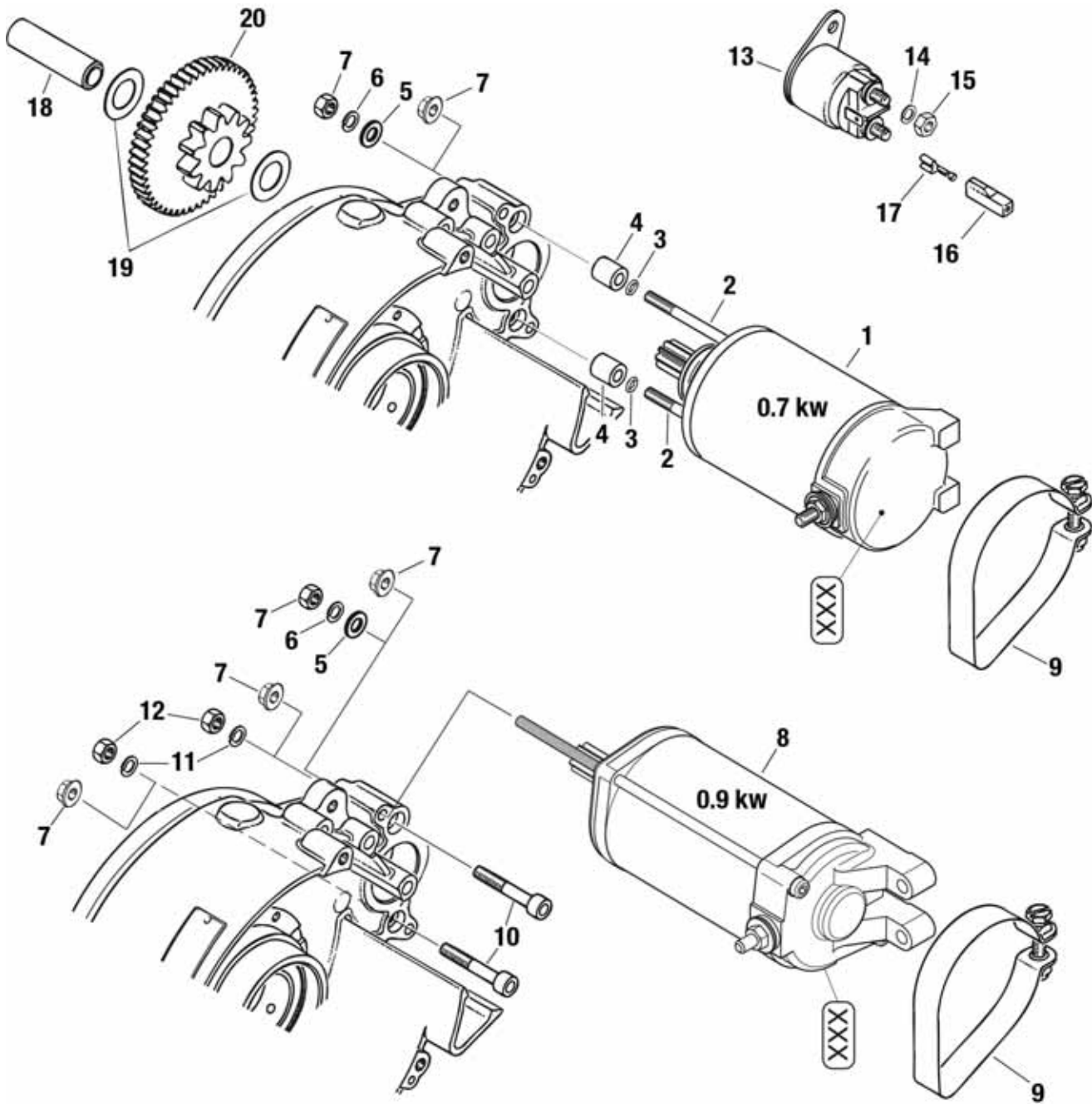
d06648.fm

BRP-Rotax
ILLUSTRATED PARTS CATALOG

INTENTIONALLY LEFT BLANK

d06563.fm

BRP-Rotax
ILLUSTRATED PARTS CATALOG



09754_a

Fig. 80-10-00-1

BRP-Rotax

ILLUSTRATED PARTS CATALOG

Chapter) 80-10-00

ELECTRIC STARTER, STARTER RELAY

FIG. & ITEM NO.	STATUS	PART NO.	INDENT	Description	Parts per Engine						
					912 A	912 F	912 S	912 UL	912 ULS	914 F	914 UL
1 1-7		685974	.1	ELECTRIC STARTER SET	1c	1c	1c	1c	1c	1c	1c
2	N s.v.	840636 840635	..2	STUD M5x150/16	2	2	2	2	2	2	2
3		950420	..2	O-RING 5x1.5-N	2	2	2	2	2	2	2
4		847248	..2	SPACER 5.4/10/12	2	2	2	2	2	2	2
5	N s.v.	927574 927571	..2	WASHER 5.3	2d	2d	2d	2d	2d	2d	2d
6	n.a.	945830 945750	..2	LOCK WASHER A5	2d	2d	2d	2d	2d	2d	2d
7	n.a.	242071	..2	HEX. NUT M5	2d	2d	2d	2d	2d	2d	2d
7		942311	..2	HEX. NUT M5	4	4	4	4	4	4	4
8,7,5 9,10		889751	.1	ELECTRIC STARTER SET	1a	1a	1a	1a	1a	1a	1a
9		851020	..2	CLAMP 76	1b	1b	1b	1b	1b	1b	1b
10	N s.v.	941792 941791	..2	ALLEN SCREW M5x45	2	2	2	2	2	2	2
11	n.a.	945830 945750	..2	LOCK WASHER A5	2d	2d	2d	2d	2d	2d	2d
12	n.a.	842030	..2	LOCK NUT M5	2d	2d	2d	2d	2d	2d	2d
13-15		992818	.1	STARTER RELAY ASSY.	1	1	1	1	1	1	1
14	N s.v.	945831 945751	.1	LOCK WASHER A6	2	2	2	2	2	2	2
15	N s.v.	242214 242211	.1	HEX. NUT M6	2	2	2	2	2	2	2
16		960719	.1	CONNECTOR SHEATH	1e	1e	1e	1e	1e	1e	1e
17		864011	.1	FASTON CONNECTOR 6.3x0.8	1	1	1	1	1	1	1
18		837102	.1	IDLE GEAR SHAFT	1	1	1	1	1	1	1
19		827261	.1	THRUST WASHER 12.5/21.5/1	2	2	2	2	2	2	2

- Items not illustrated

d06563.fm

BRP-Rotax

ILLUSTRATED PARTS CATALOG

FIG. & ITEM NO.	STATUS	PART NO.	INDENT	Description	Parts per Engine						
					912 A	912 F	912 S	912 UL	912 ULS	914 F	914 UL
20		834156	.1	IDLE GEAR 50/11 T	1	1	1	1	1	1	1

- Items not illustrated

- a See therefore
SB-912-037 current issue
SB-914-023
- b will be delivered in circle shape
- c standard starter 0.7 kW
- d Washer, lock washer and hex. nut replaced by part no. 942311 hex. nut M5
- e not with Form 1

d06563.fm

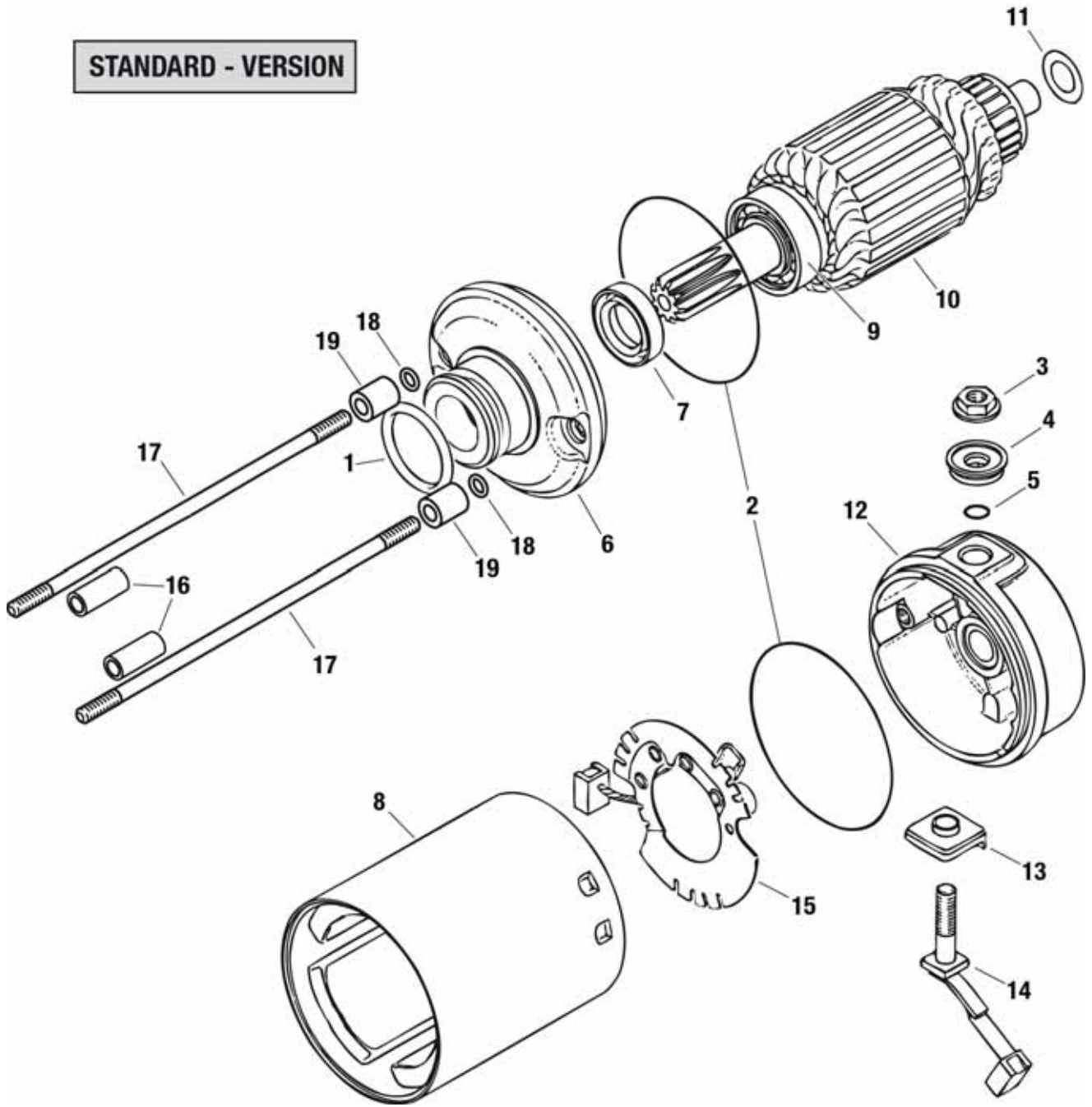
BRP-Rotax
ILLUSTRATED PARTS CATALOG

INTENTIONALLY LEFT BLANK

d06563.fm

BRP-Rotax
ILLUSTRATED PARTS CATALOG

STANDARD - VERSION



09755

Fig. 80-10-00-2

d06563.fm

BRP-Rotax

ILLUSTRATED PARTS CATALOG

ELECTRIC STARTER, STARTER RELAY

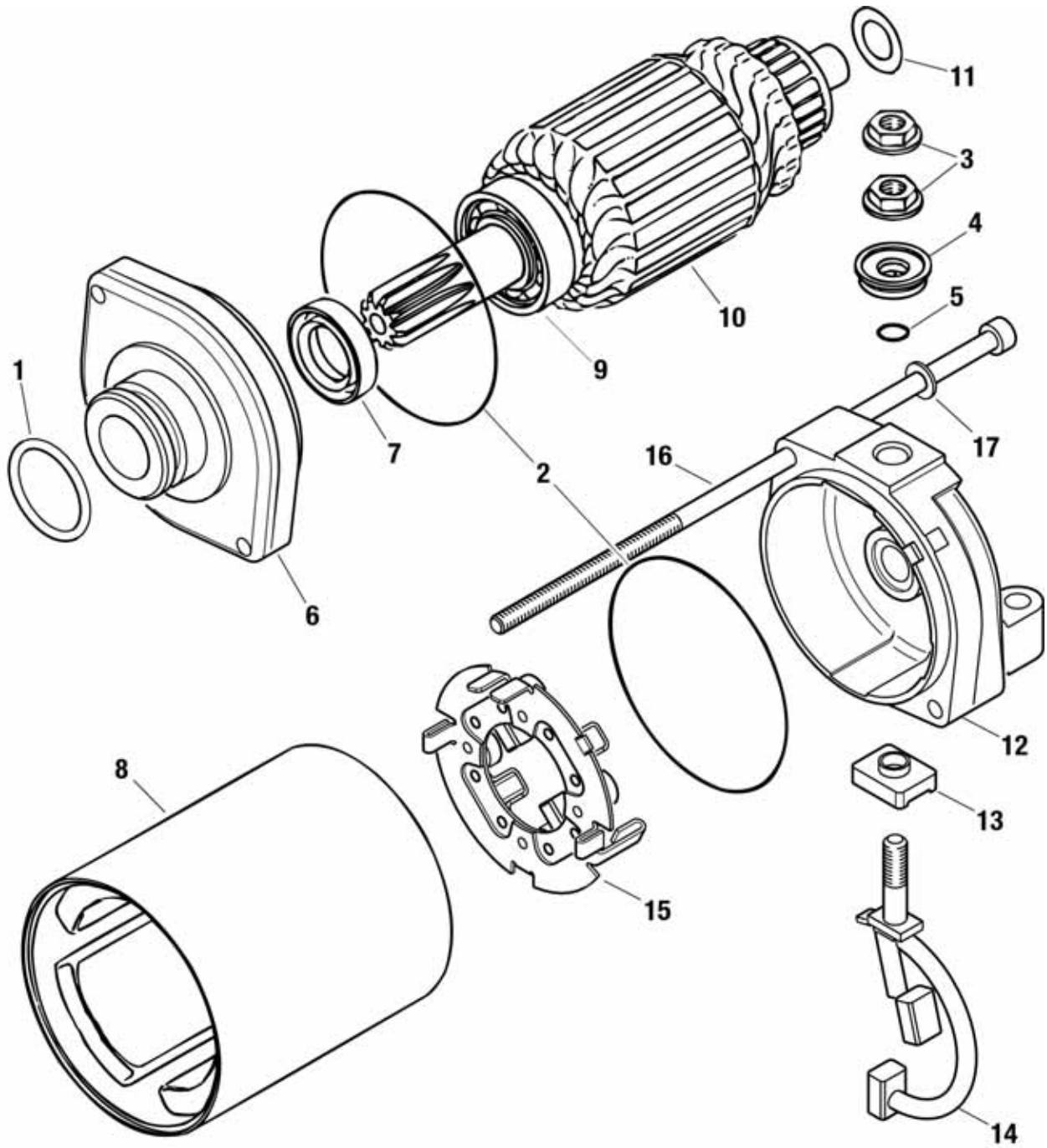
FIG. & ITEM NO.	STATUS	PART NO.	INDENT	Description	Parts per Engine						
					912 A	912 F	912 S	912 UL	912 ULS	914 F	914 UL
2 1-19		xxxxxx	..1	See fig.1 pos. 1	1	1	1	1	1	1	1
1		250140	..2	O-RING 24.4x3.1	1	1	1	1	1	1	1
2		850500	..2	O-RING 62x1.5	2	2	2	2	2	2	2
3		242780	..2	COMBINED NUT M6	1	1	1	1	1	1	4
4		260800	..2	CONNECTOR SHEATH	1	1	1	1	1	1	1
5		230530	..2	O-RING 6x1.7	1	1	1	1	1	1	1
6	n.a.		..2	SUPPORT	1	1	1	1	1	1	1
7		250130	..2	OIL SEAL 15x24x5	1	1	1	1	1	1	1
8	n.a.		..2	STATOR YOKE ASSY.	1	1	1	1	1	1	1
9		232260	..2	BALL BEARING 6002 Z / 15-32-9	1	1	1	1	1	1	1
10	n.a.		..2	ROTOR ASSY.	1	1	1	1	1	1	1
11		827600	..2	SHIM	AR	AR	AR	AR	AR	AR	AR
12	n.a.		..2	ROTOR SUPPORT ASSY.	1	1	1	1	1	1	1
13		260810	..2	CONNECTOR SHEATH	1	1	1	1	1	1	1
14		264180	..2	CARBON BRUSH ASSY.	1	1	1	1	1	1	1
15		866890	..2	BRUSH HOLDER WITH SPRINGS	1	1	1	1	1	1	1
16		974524	..2	DISTANCE HOSE 45 MM	1a	1a	1a	1a	1a	1a	1a
17		xxxxxx	..2	See fig. 1 / pos. 2	2	2	2	2	2	2	2
18		xxxxxx	..2	See fig. 1 / pos. 3	2	2	2	2	2	2	2
19		xxxxxx	..2	See fig. 1 / pos. 4	2	2	2	2	2	2	2

- Items not illustrated

a Only for transport

d06563.fm

BRP-Rotax
ILLUSTRATED PARTS CATALOG



09686

Fig. 80-10-00-3

BRP-Rotax
ILLUSTRATED PARTS CATALOG

Chapter) 80-10-00
E-STARTER SINGLE PARTS

FIG. & ITEM NO.	STATUS	PART NO.	INDENT	Description	Parts per Engine						
					912 A	912 F	912 S	912 UL	912 ULS	914 F	914 UL
3 1-17		xxxxxx	.1	See fig. 1 pos. 8	1	1	1	1	1	1	1
1		250140	..2	O-RING 24.4X3.1-N NBR70	1	1	1	1	1	1	1
2		850500	..2	O-RING 62-1.5	2	2	2	2	2	2	2
3		242780	..2	COMBINED NUT M6	2	2	2	2	2	2	2
4		260800	..2	CONNECTOR SHEATH	1	1	1	1	1	1	1
5		230530	..2	O-RING 6X1.7	1	1	1	1	1	1	1
6	n.a.		..2	SUPPORT	1	1	1	1	1	1	1
7		250130	..2	OIL SEAL 15X24X5 NBR	1	1	1	1	1	1	1
8	n.a.		..2	STATOR YOKE ASSY.	1	1	1	1	1	1	1
9		232260	..2	BALL BEARING 6002 Z / 15-32-9	1	1	1	1	1	1	1
10	n.a.		..2	ROTOR ASSY.	1	1	1	1	1	1	1
11		827600	..2	SHIM	AR	AR	AR	AR	AR	AR	AR
12-15, 1-5		294354	..2	ELECTRIC STARTER REPAIR KIT	1	1	1	1	1	1	1
12	n.a.		..2	ROTOR SUPPORT ASSY.	1a	1a	1a	1a	1a	1a	1a
13	n.a.		..2	CONNECTOR SHEATH	1a	1a	1a	1a	1a	1a	1a
14	n.a.		..2	CARBON BRUSH ASSY.	1a	1a	1a	1a	1a	1a	1a
15	n.a.		..2	BRUSH HOLDER WITH SPRINGS	1a	1a	1a	1a	1a	1a	1a
16	N s.v.	440587 440586	..2	ALLEN SCREW M5X180	2	2	2	2	2	2	2
17	N s.v.	927574 927571	..2	WASHER 5.3	2	2	2	2	2	2	2

- Items not illustrated

a Not available as single spare part. Use electric starter kit part no. 294354.

d06563.fm

BRP-Rotax
ILLUSTRATED PARTS CATALOG

INTENTIONALLY LEFT BLANK

d06563.fm

ROTAX®

Engine serial no.

Type of aircraft

Aircraft registration no.

Rotax® authorized distributor

FLYROTAX.COM

® and TM are trademarks of BRP-Rotax GmbH & Co KG.

© 2021 BRP-Rotax GmbH & Co KG. All rights reserved.

